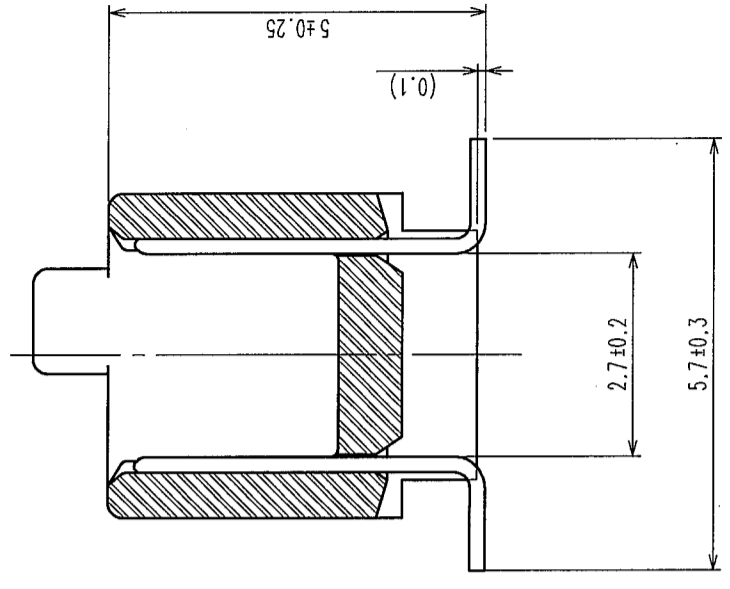


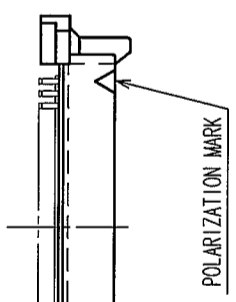
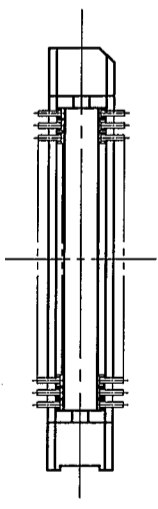
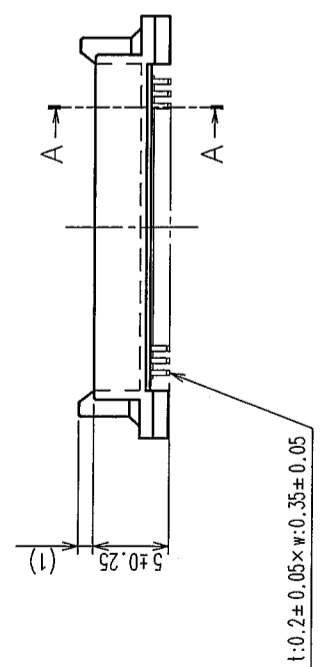
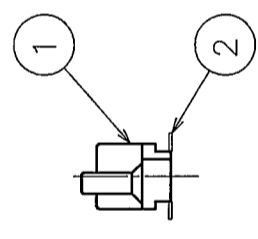
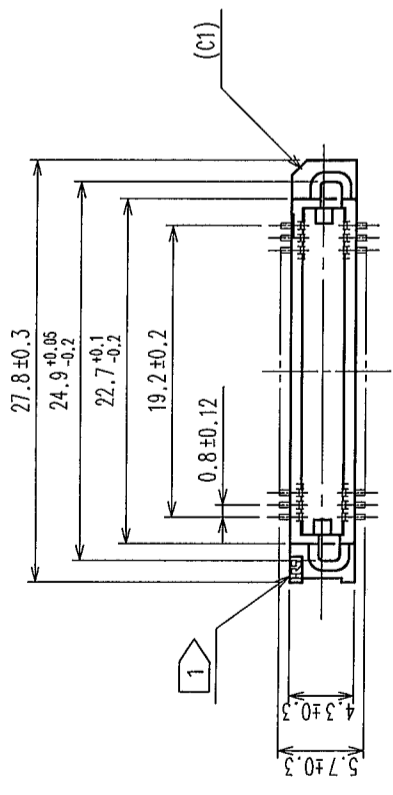
| COUNT | DESCRIPTION OF REVISIONS | BY | CHKD | DATE | COUNT | DESCRIPTION OF REVISIONS | BY | CHKD | DATE |
|-------|--------------------------|----|------|------|-------|--------------------------|----|------|------|
| △ | | | | | △ | | | | |
| △ | | | | | △ | | | | |
| △ | | | | | △ | | | | |

A-A(10:1)

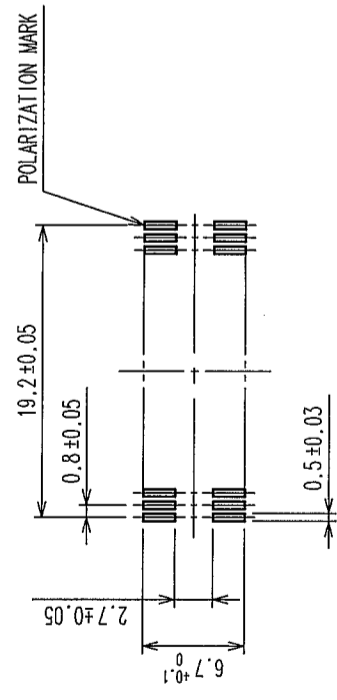


HRS DRAWING FOR REFERENCE

- NOTE 1 HRS MARK SHALL BE OPTIONAL.
 2 LEAD CO-PLANARITY SHALL BE 0.1mm MAX.
 3 THE DIMENSIONS IN PARENTHESES ARE FOR REFERENCE.
 4 EMBOSSED CARRIER TAPE PACKAGING SHALL BE APPLIED FOR THIS PRODUCT.
 5 THIS PRODUCT HAS TAPE FOR VACUUM PICKUP.
 6 SEE NEXT PAGE FOR DETAIL OF STICKING POSITION, ETC.
 FOR MODIFICATION, ETC., PREVENTIVE HOLE FOR SINK MARK MAY BE ADDED ACCORDING TO CIRCUMSTANCES.

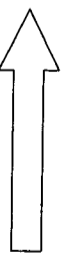


RECOMMENDED P.C.B. LAND PATTERN (MOUNT SIDE)

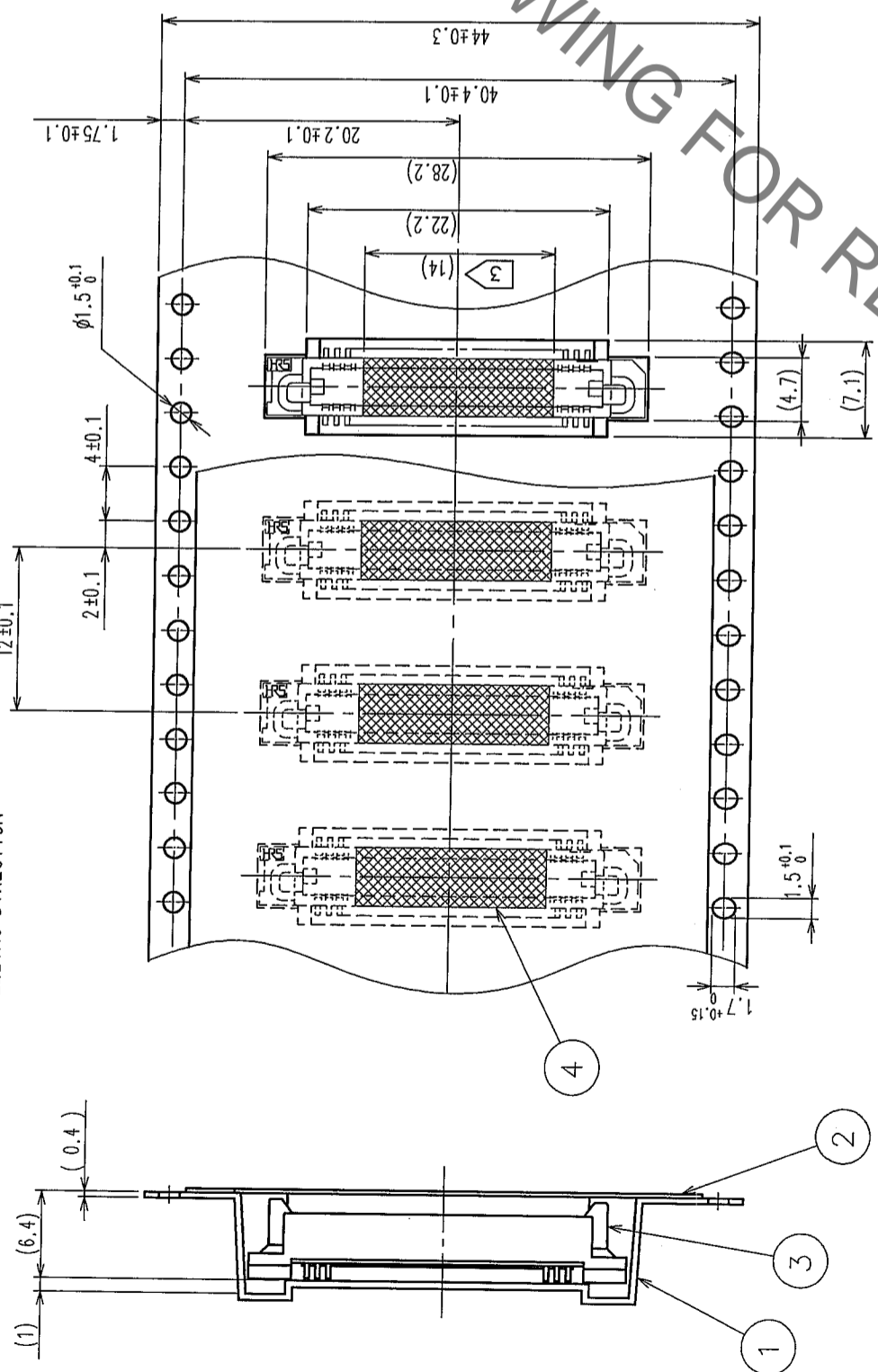


| | | | | | | | | | | |
|----------------|-----------------------|---------------------|---------|-----------------|-----------------|--------------------------|-----------|--------------------------|----------|----------------------------------|
| 1 | POLYPHENYLENE SULFIDE | LIGHT BROWN | UL94V-0 | 2 | PHOSPHOR BRONZE | | | | | CONTACT AREA : GOLD 0.1μm min. |
| NO. | MATERIAL | FINISH, REMARKS | NO. | MATERIAL | FINISH, REMARKS | DESIGNED | CHECKED | APPROVED | RELEASED | LEAD AREA : TIN-PLATING 1μm min. |
| CODE NO. (OLD) | CL | | | | | Y. AOYAGI | X. OYAMA | H. KAWA | | UNDER PLATING : NICKEL 1μm min. |
| | | | | | | '05.09.15 | '05.09.26 | '05.09.26 | | |
| DRAWING NO. | | PART NO. | | FINISH, REMARKS | | FINISH, REMARKS | | FINISH, REMARKS | | |
| EDC3-071643-23 | | FX6A-50P-0.8SV1(93) | | | | | | | | |
| SCALE | | UNITS | | CODE NO. | | CODE NO. | | CODE NO. | | |
| 2 : 1 | | mm | | CL576-0224-8-93 | | CL576-0224-8-93 | | CL576-0224-8-93 | | |
| | | | | HRS | | HIROSE ELECTRIC CO., LTD | | HIROSE ELECTRIC CO., LTD | | |

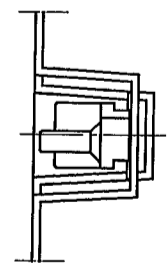
| COUNT | DESCRIPTION OF REVISIONS | BY | CHKD | DATE | COUNT | DESCRIPTION OF REVISIONS | BY | CHKD | DATE |
|-------|--------------------------|----|------|------|-------|--------------------------|----|------|------|
| | | | | | | | | | |
| | | | | | | | | | |
| | | | | | | | | | |



UNREELING DIRECTION

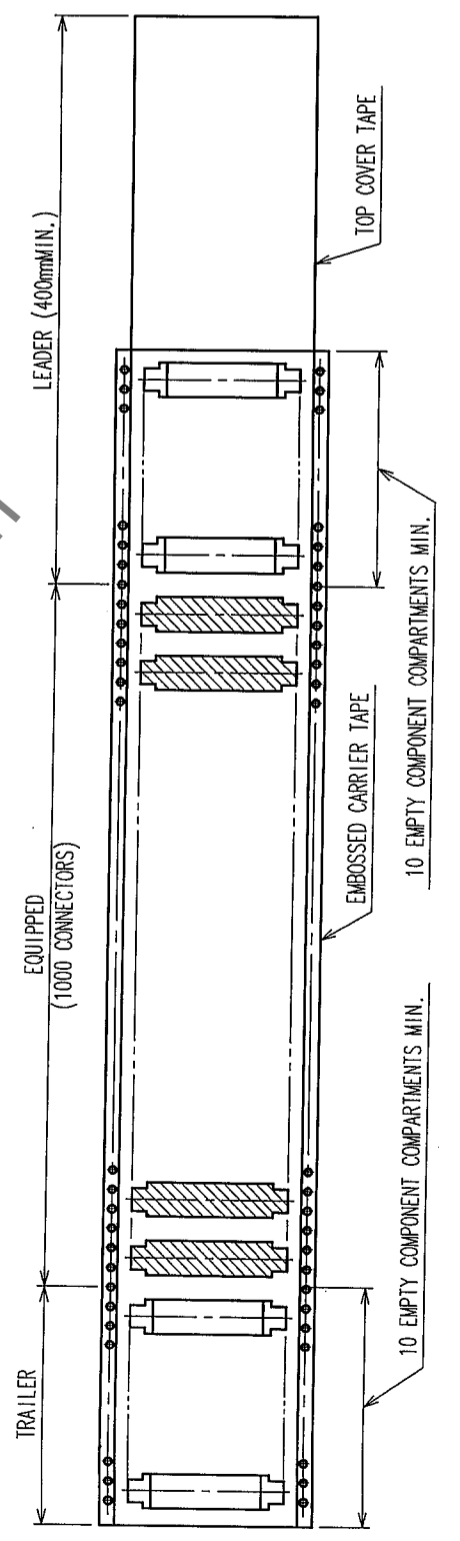


REEL DIMENSION (FREE)



DETAIL OF TAPE FOR VACUUM PICKUP (5:1)

- NOTE 1 THE DIMENSIONS IN PARENTHESES ARE FOR REFERENCE.
 2 1 REEL : 1000 CONNECTORS
 3 REMOVE THE VACUUM PICK-UP TAPE AFTER MOUNTING THE CONNECTOR.



| NO. | MATERIAL | FINISH, REMARKS | NO. | MATERIAL | FINISH, REMARKS |
|-----|-------------|-----------------------|-----|-----------|------------------------------------|
| 2 | POLYESTER | TOP COVER TAPE | 4 | POLYIMIDE | TAPE FOR VACUUM PICKUP (CONNECTOR) |
| 1 | POLYSTYRENE | EMBOSSED CARRIER TAPE | 3 | | |

| CODE NO. (OLD) | CL | DESIGNED | CHECKED | APPROVED | RELEASED |
|----------------|----|------------------------|---------------------------|-----------------------|----------|
| | | Y. Aoyagi '05.09.15 | K. Ogasawara '05.09.26 | K. Okawa '05.09.26 | |

| DRAWING NO. | PART NO. |
|----------------|---------------------|
| EDC3-071643-23 | FX6A-50P-0.8SV1(93) |

| SCALE | UNITS |
|-------|-------|
| 2 : 1 | mm |

HIROSE ELECTRIC CO., LTD
 CL576-0224-8-93

Mouser Electronics

Authorized Distributor

Click to View Pricing, Inventory, Delivery & Lifecycle Information:

[Hirose Electric:](#)

[FX6A-50P-0.8SV1\(93\)](#)