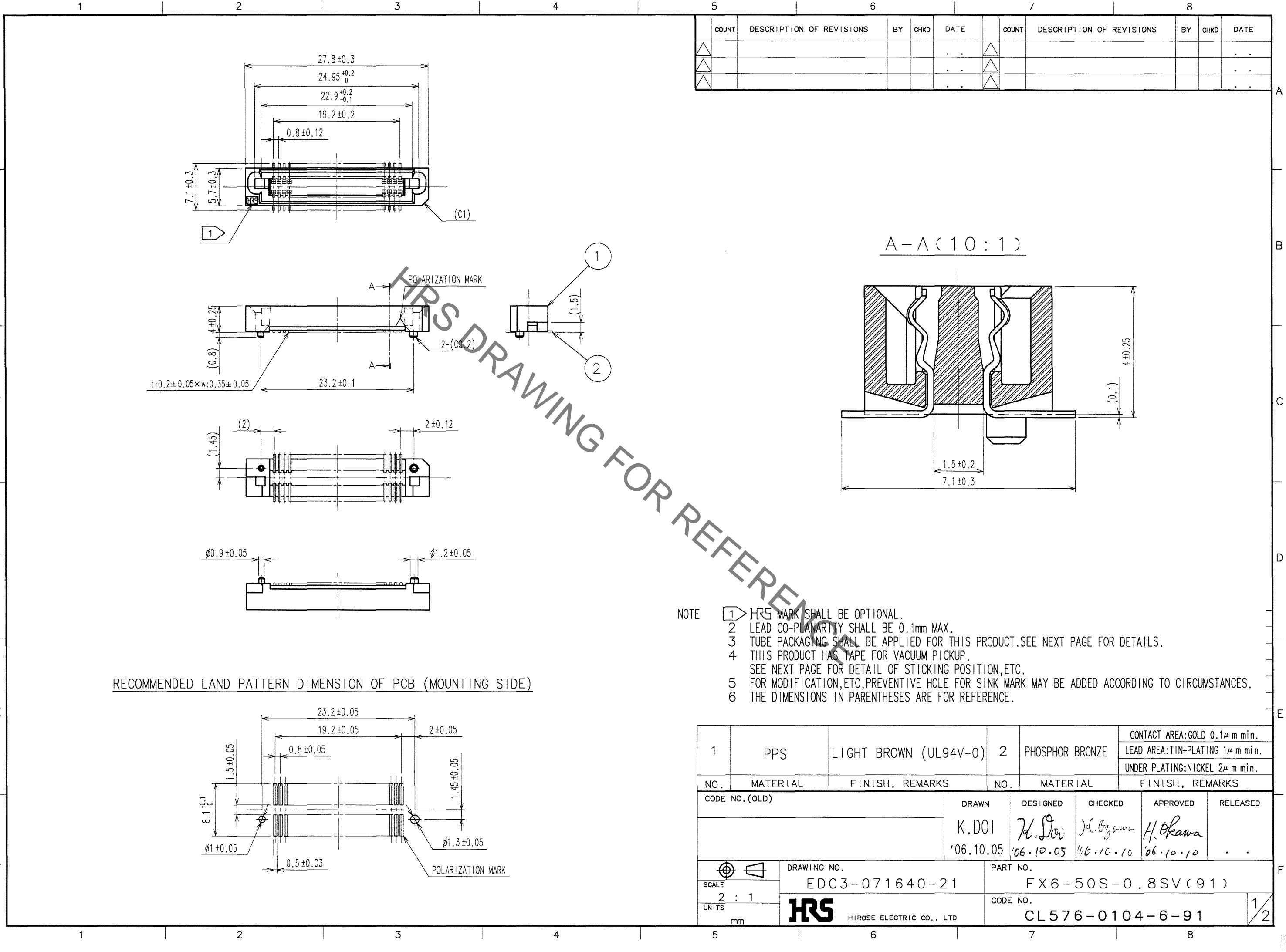


Sep.1.2021 Copyright 2021 HIROSE ELECTRIC CO., LTD. All Rights Reserved.  
In case of consideration for using Automotive equipment / device which demand high reliability, kindly contact our sales window correspondents.



COUNT	DESCRIPTION OF REVISIONS	BY	CHKD	DATE	COUNT	DESCRIPTION OF REVISIONS	BY	CHKD	DATE
△				..	△				..
△				..	△				..
△				..	△				..

- NOTE
- ① HRS MARK SHALL BE OPTIONAL.
  - ② LEAD CO-PLANARITY SHALL BE 0.1mm MAX.
  - ③ TUBE PACKAGING SHALL BE APPLIED FOR THIS PRODUCT. SEE NEXT PAGE FOR DETAILS.
  - ④ THIS PRODUCT HAS TAPE FOR VACUUM PICKUP. SEE NEXT PAGE FOR DETAIL OF STICKING POSITION, ETC.
  - ⑤ FOR MODIFICATION, ETC, PREVENTIVE HOLE FOR SINK MARK MAY BE ADDED ACCORDING TO CIRCUMSTANCES.
  - ⑥ THE DIMENSIONS IN PARENTHESES ARE FOR REFERENCE.

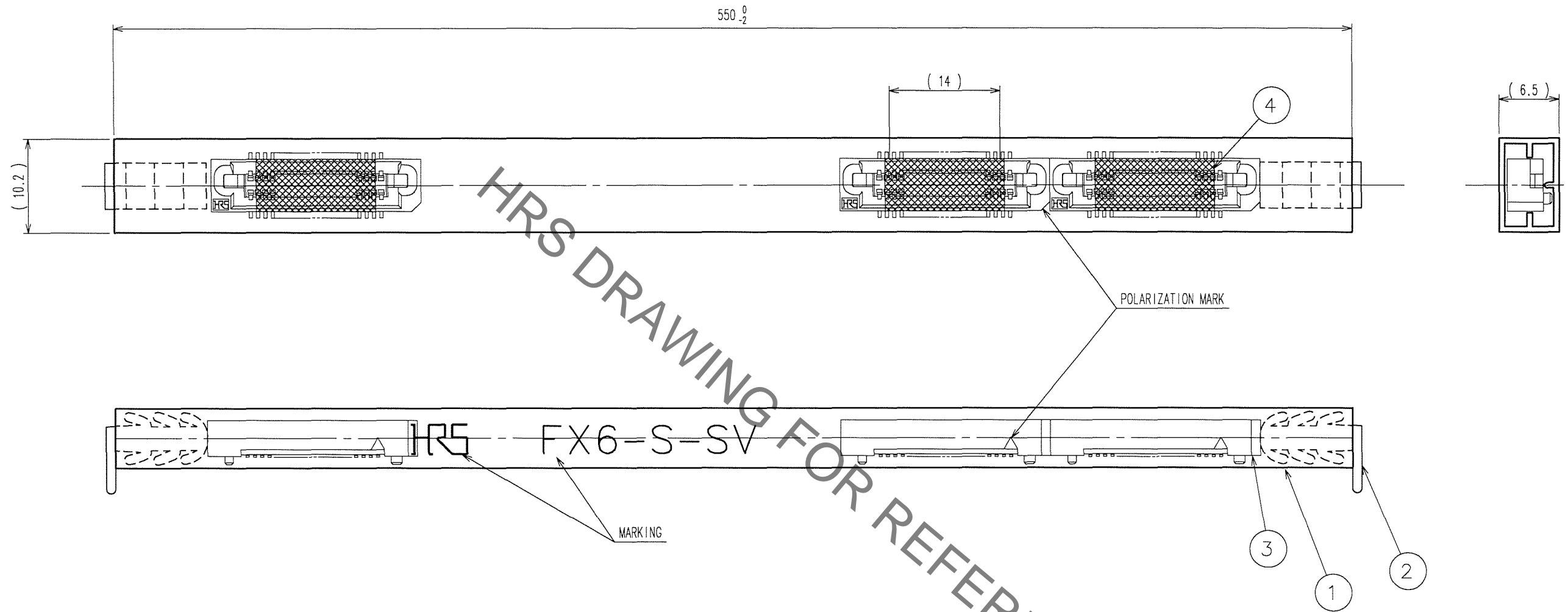
RECOMMENDED LAND PATTERN DIMENSION OF PCB (MOUNTING SIDE)

1	PPS	LIGHT BROWN (UL94V-0)	2	PHOSPHOR BRONZE	CONTACT AREA: GOLD 0.1μ m min. LEAD AREA: TIN-PLATING 1μ m min. UNDER PLATING: NICKEL 2μ m min.
NO.	MATERIAL	FINISH, REMARKS	NO.	MATERIAL	FINISH, REMARKS
CODE NO. (OLD)		DRAWN	DESIGNED	CHECKED	APPROVED
		K.DOI	H. Doi	J.C. Ogawa	H. Okawa
		'06.10.05	'06.10.05	'06.10.10	'06.10.10
SCALE		DRAWING NO.		PART NO.	
2 : 1		EDC3-071640-21		FX6-50S-0.8SV(91)	
UNITS		HRS		CODE NO.	
mm		HIROSE ELECTRIC CO., LTD		CL576-0104-6-91	
					1/2

TO

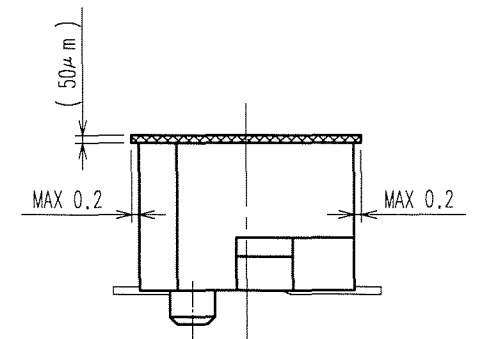
Sep.1.2021 Copyright 2021 HIROSE ELECTRIC CO., LTD. All Rights Reserved.  
In case of consideration for using Automotive equipment / device which demand high reliability, kindly contact our sales window correspondents.

COUNT	DESCRIPTION OF REVISIONS	BY	CHKD	DATE	COUNT	DESCRIPTION OF REVISIONS	BY	CHKD	DATE
△				..	△				..
△				..	△				..
△				..	△				..



HRS DRAWING FOR REFERENCE

DETAIL FOR TAPE FOR VACUUM PICK-UP(5:1)



- NOTE 1 THE DIMENSIONS IN PARENTHESSES ARE FOR REFERENCE.  
 2 ONE TUBE CONSISTS OF 19 PIECES.  
 3 REMOVE THE VACUUM PICK-UP TAPE AFTER MOUNTING THE CONNECTOR.

NO.	MATERIAL	FINISH, REMARKS	NO.	MATERIAL	FINISH, REMARKS
2	PVC	(STOPPER)	4	POLYIMIDE	(TAPE FOR VACUUM PICK-UP)
1	PVC	(TUBE)	3		(CONNECTOR)

CODE NO. (OLD) CL	DRAWN K.DOI '06.10.05	DESIGNED K. Doi '06.10.05	CHECKED K. Ogiwara '06.10.10	APPROVED H. Okawa '06.10.10	RELEASED
DRAWING NO. EDC3-071640-21		PART NO. FX6-50S-0.8SV(91)			
SCALE 2:1		UNITS mm		CODE NO. CL576-0104-6-91	

TO

# Mouser Electronics

Authorized Distributor

Click to View Pricing, Inventory, Delivery & Lifecycle Information:

[Hirose Electric:](#)

[FX6-50S-0.8SV\(91\)](#)