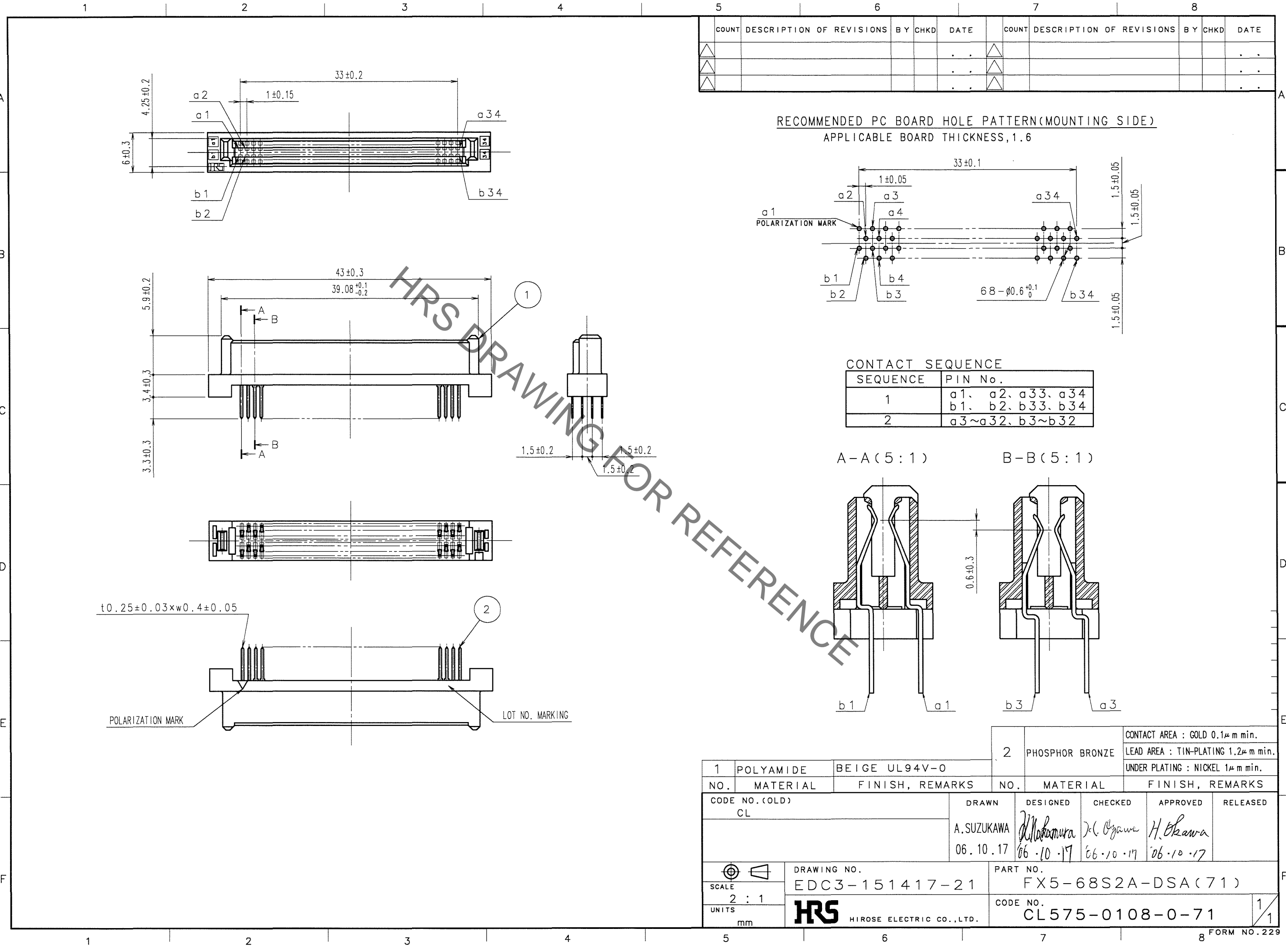
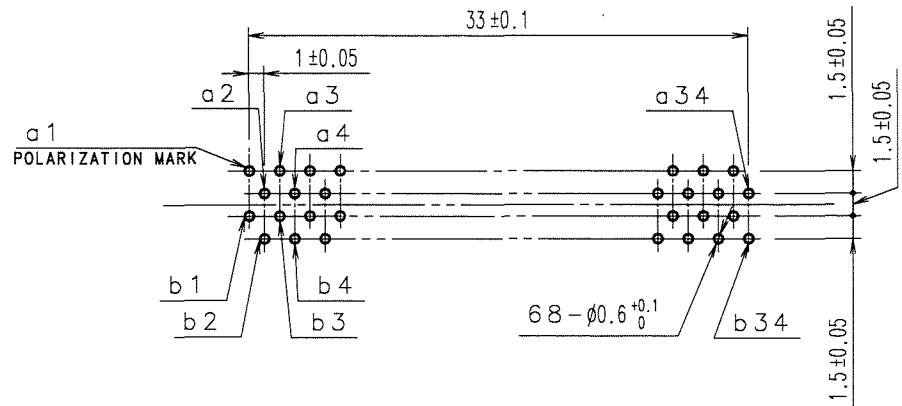


Sep.1.2021 Copyright 2021 HIROSE ELECTRIC CO., LTD. All Rights Reserved.
In case of consideration for using Automotive equipment / device which demand high reliability, kindly contact our sales window correspondents.



COUNT	DESCRIPTION OF REVISIONS	BY	CHKD	DATE	COUNT	DESCRIPTION OF REVISIONS	BY	CHKD	DATE
△					△				
△					△				
△					△				

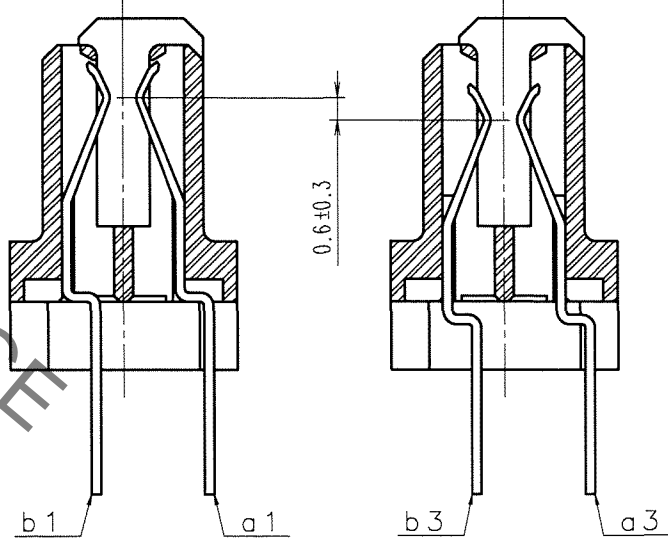
RECOMMENDED PC BOARD HOLE PATTERN (MOUNTING SIDE)
APPLICABLE BOARD THICKNESS, 1.6



CONTACT SEQUENCE

SEQUENCE	PIN No.
1	a1, a2, a33, a34 b1, b2, b33, b34
2	a3~a32, b3~b32

A-A (5:1) B-B (5:1)



1	POLYAMIDE	BEIGE UL94V-0	2	PHOSPHOR BRONZE	CONTACT AREA : GOLD 0.1μm min. LEAD AREA : TIN-PLATING 1.2μm min. UNDER PLATING : NICKEL 1μm min.		
NO.	MATERIAL	FINISH, REMARKS	NO.	MATERIAL	FINISH, REMARKS		
CODE NO. (OLD)	CL		DRAWN	DESIGNED	CHECKED	APPROVED	RELEASED
			A.SUZUKAWA 06.10.17	Makamura 06.10.17	K. Ogawa 06.10.17	H. Okawa 06.10.17	
SCALE	DRAWING NO. EDC3-151417-21		PART NO. FX5-68S2A-DSA(71)				
UNITS	mm		CODE NO. CL575-0108-0-71				

TO
PCK

Mouser Electronics

Authorized Distributor

Click to View Pricing, Inventory, Delivery & Lifecycle Information:

[Hirose Electric:](#)

[FX5-68S2A-DSA\(71\)](#)