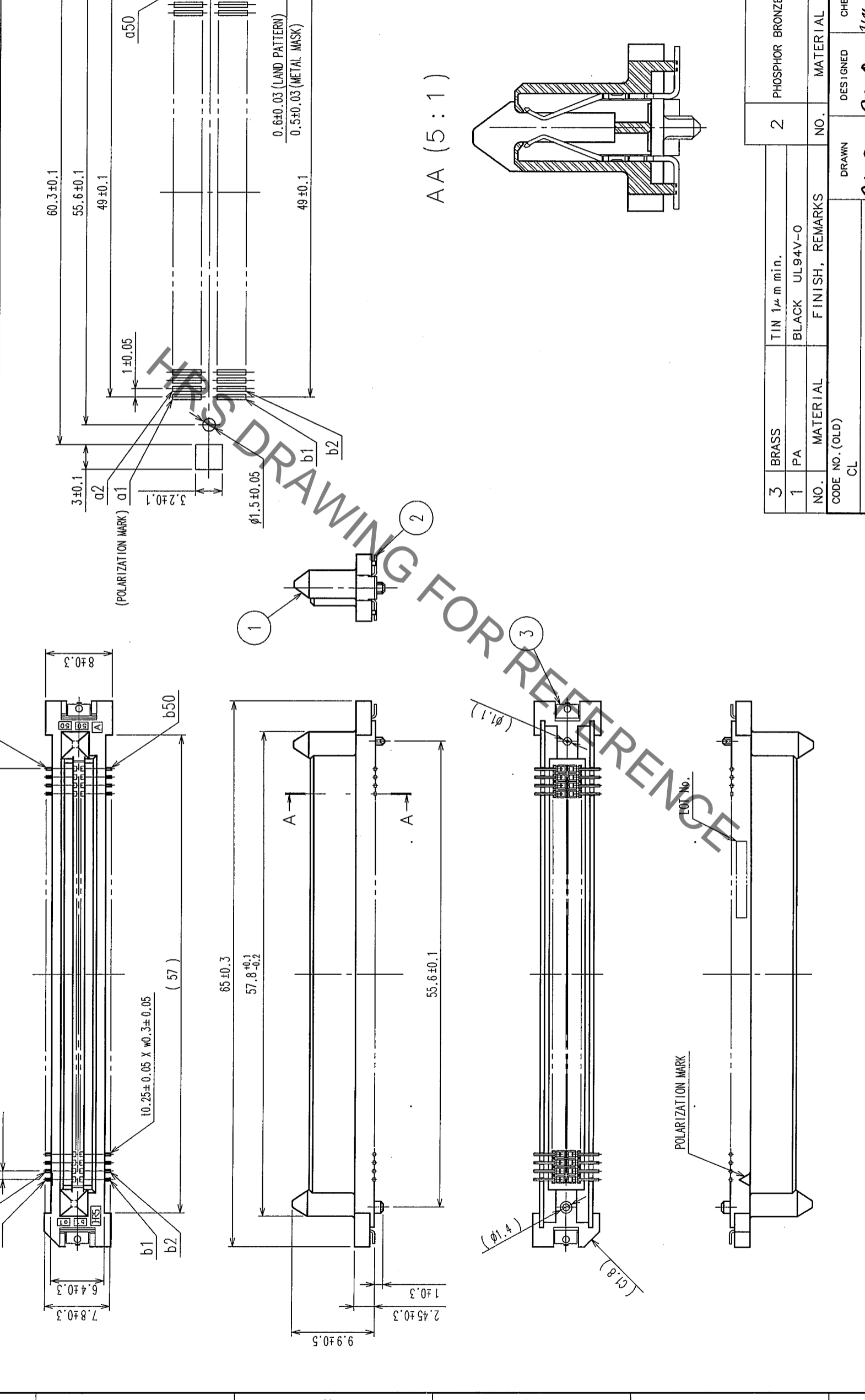


COUNT	DESCRIPTION OF REVISIONS	BY	CHKD	DATE	COUNT	DESCRIPTION OF REVISIONS	BY	CHKD	DATE
△					△				
△					△				
△					△				

RECOMMENDED LAND PATTERN DIMENSION OF PCB (MOUNTING SIDE)



NOTE 1. LEAD CO-PLANARITY INCLUDING REINFORCED METAL FITTINGS TO BE 0.1 MAX.
 2. THE DIMENSIONS IN PARENTHESES ARE FOR REFERENCE.

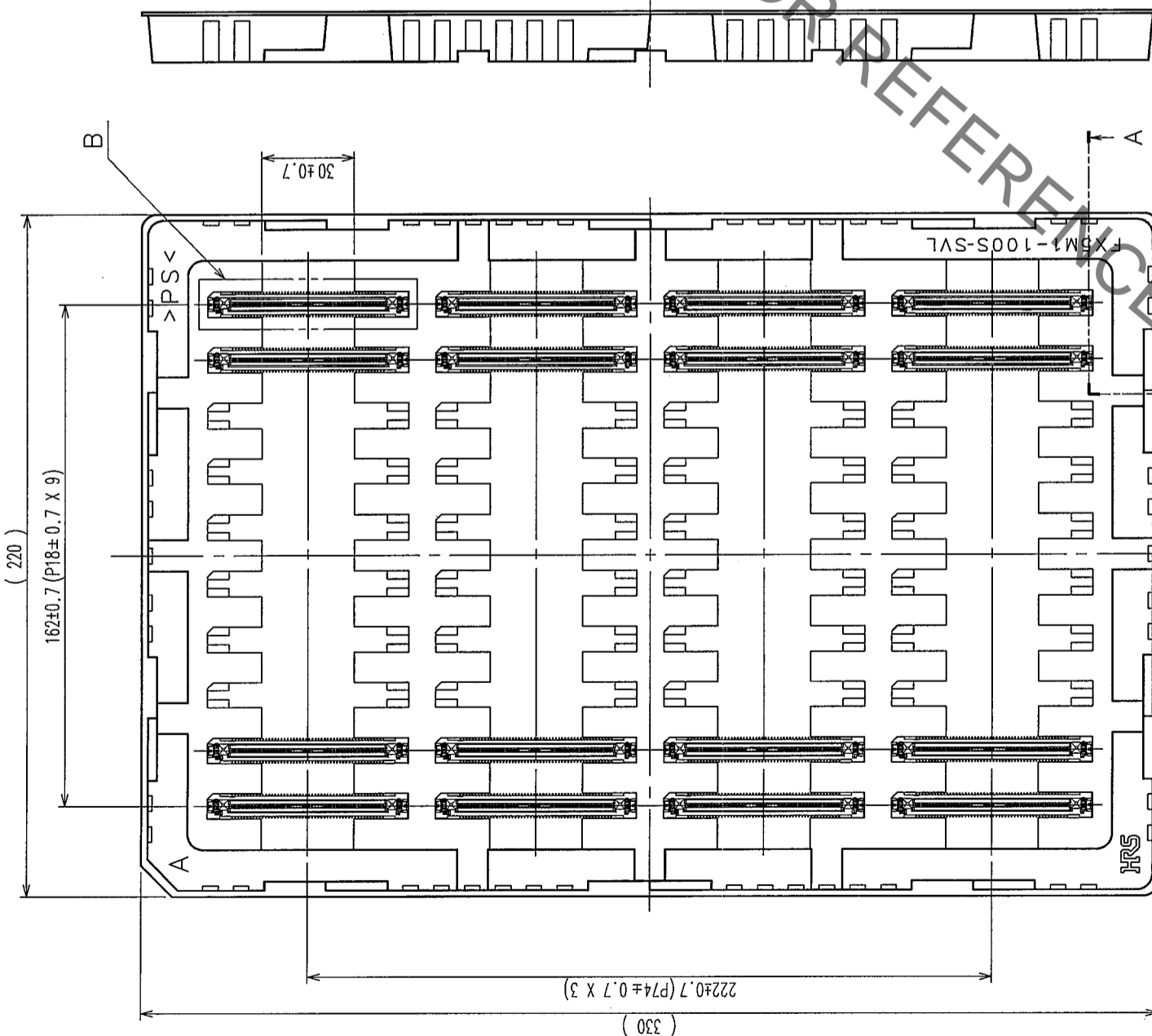
3	BRASS	TIN 1μm min.	2	PHOSPHOR BRONZE	CONTACT AREA : GOLD 0.1μm min.
1	PA	BLACK UL94V-0			LEAD AREA : TIN 1.2μm min.
NO.	MATERIAL	FINISH, REMARKS	NO.	MATERIAL	UNDER PLATING : NICKEL 1μm min.
CODE NO. (OLD)	CL		DESIGNED	H. Doi	FINISH, REMARKS
			CHECKED	H. Yamaguchi	
			APPROVED	H. Okawa	
			RELEASED		
DRAWING NO.	EDC3-153987-22	PART NO.	FX5M1-100S-SVL(94)		
SCALE	2 : 1	CODE NO.	CL575-1011-6-94		
UNITS	mm				

1. In case of consideration for using Automotive equipment / device which demand high reliability, kindly contact our sales window correspondents.
 2. In case of consideration for using Automotive equipment / device which demand high reliability, kindly contact our sales window correspondents.
 3. Sep. 1. 2021 Copyright 2021 HIROSE ELECTRIC CO., LTD. All Rights Reserved.

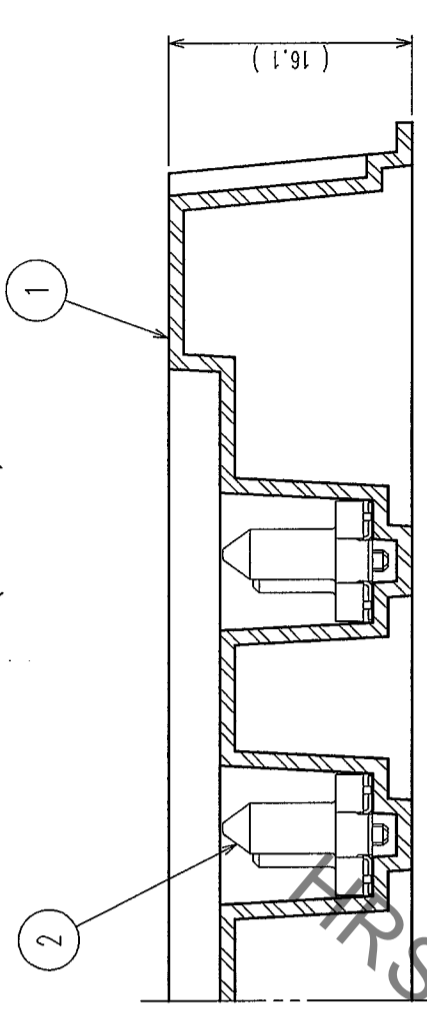
6
 COUNT DESCRIPTION OF REVISIONS BY CHKD DATE

7
 COUNT DESCRIPTION OF REVISIONS BY CHKD DATE

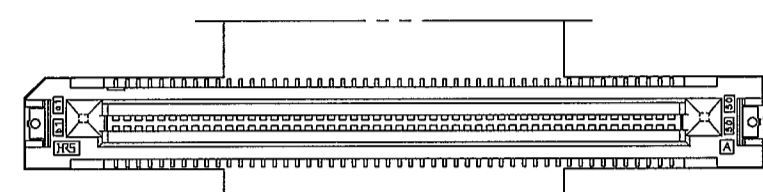
8
 COUNT DESCRIPTION OF REVISIONS BY CHKD DATE



AA (2:1)



B (FREE)



TO	
PCK	

NOTE 1. 1TRAY:40 CONNECTORS
 2. THE DIMENSIONS IN PARENTHESES ARE FOR REFERENCE.

1	POLYSTYRENE	TRAY	2	(CONNECTOR)
NO.	MATERIAL	FINISH, REMARKS	NO.	MATERIAL
CODE NO. (OLD)	CL		DRAWN	DESIGNED
			<i>M. Doi</i>	<i>M. Doi</i>
			04.03.23	04.03.23
				<i>H. Yamaguchi</i>
				<i>H. Okawa</i>
				04.03.24
				04.03.25
DRAWING NO.	PART NO.			
EDC3-153987-22	FX5M1-100S-SVL (94)			
SCALE	CODE NO.			
2 : 1	CL575-1011-6-94			
UNITS	mm			
	HRS HIROSE ELECTRIC CO., LTD.			

Mouser Electronics

Authorized Distributor

Click to View Pricing, Inventory, Delivery & Lifecycle Information:

[Hirose Electric:](#)

[FX5M1-100S-SVL\(94\)](#)