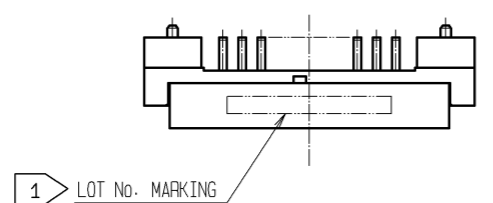
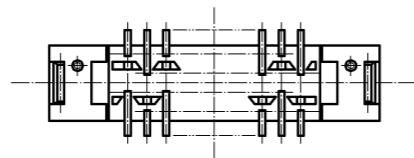
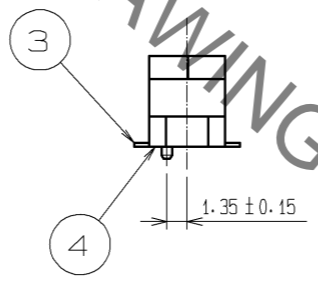
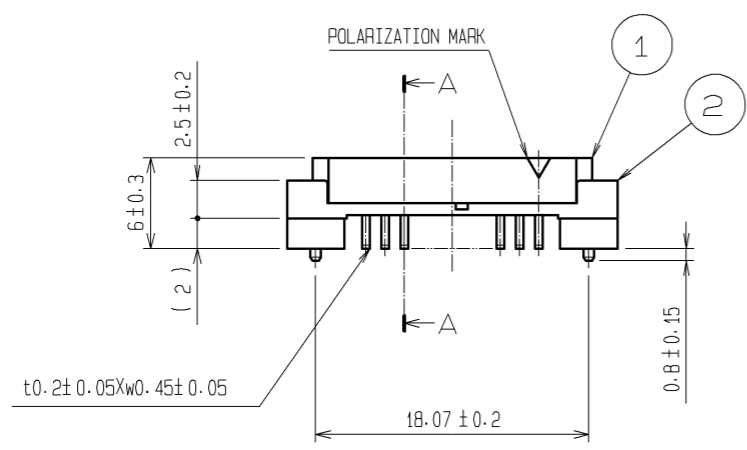
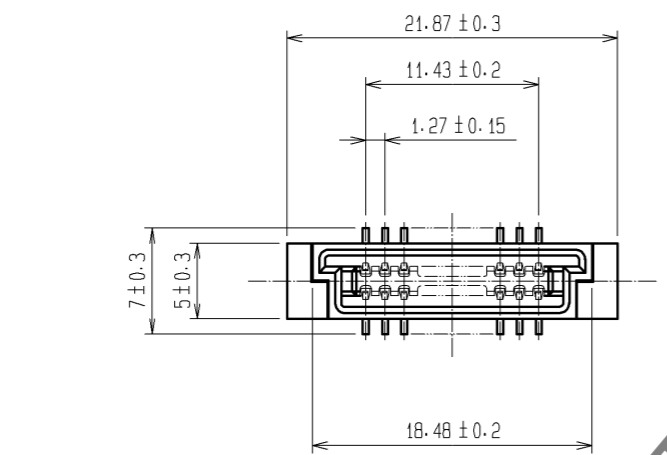
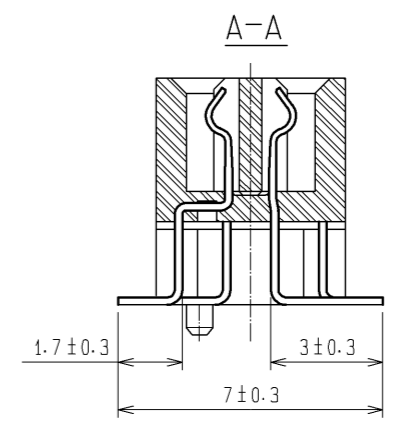
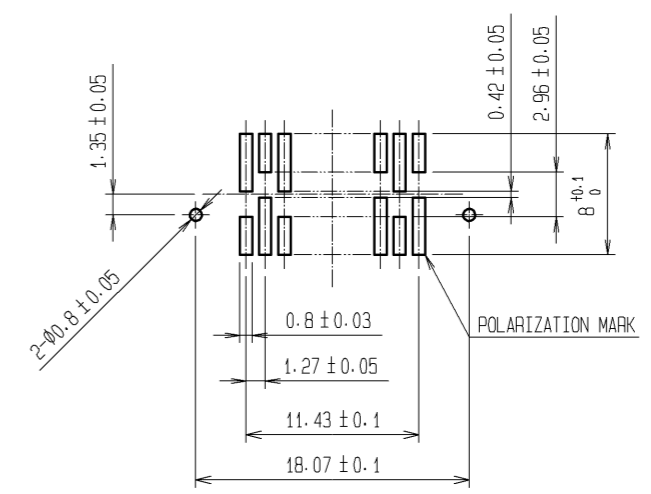


Sep.1.2021 Copyright 2021 HIROSE ELECTRIC CO., LTD. All Rights Reserved.
In case of consideration for using Automotive equipment / device which demand high reliability, kindly contact our sales window correspondents.



RECOMMENDED PC BOARD LAND PATTERN(MOUNTING SIDE)
(RECOMMENDED METAL MASK THICKNESS:0.2mm)



HRS DRAWING FOR REFERENCE

- NOTES
- 1 LOT No. SHALL BE INDICATED AT OPPTIONAL POSITION.
 - 2 LEAD CO-PLANARITY SHALL BE 0.15mm MAX.
 - 3 THE DIMENSIONS IN PARENTHESES ARE FOR REFERENCE.

1.2.4	POLYAMIDE	BEIGE	UL94V-0	3	PHOSPHOR BRONZE	CONTACT AREA:GOLD 0.2µm min. LEAD AREA:TIN-PLATING 1.2µm min. UNDER PLATING:NICKEL 1µm min.		
NO.	MATERIAL	FINISH	REMARKS	NO.	MATERIAL	FINISH, REMARKS		
UNITS mm		SCALE 2 : 1	COUNT 	DESCRIPTION OF REVISIONS		DESIGNED	CHECKED	DATE
HRS HIROSE ELECTRIC CO., LTD.		APPROVED : HS. OKAWA	08. 11. 26	DRAWING NO.		EDC3-083940-21		
		CHECED : HT. YAMAGUCHI	08. 11. 26	PART NO.		FX4B2-20S-1.27SV(71)		
		DESIGNED : SY. KAMIGA	08. 11. 21	CODE NO.		CL574-0321-1-71		
		DRAWN : HK. SUNADORI	08. 11. 21					

Mouser Electronics

Authorized Distributor

Click to View Pricing, Inventory, Delivery & Lifecycle Information:

[Hirose Electric:](#)

[FX4B2-20S-1.27SV\(71\)](#)