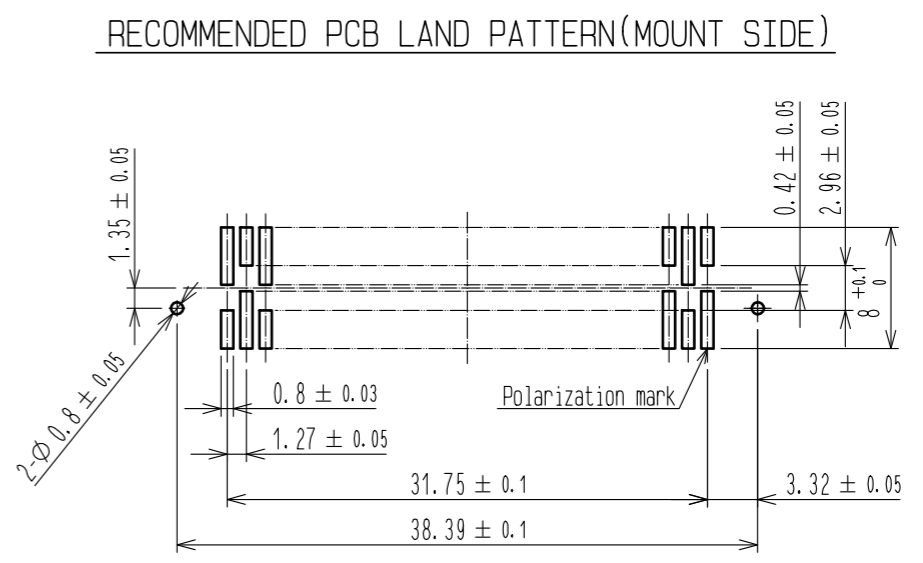
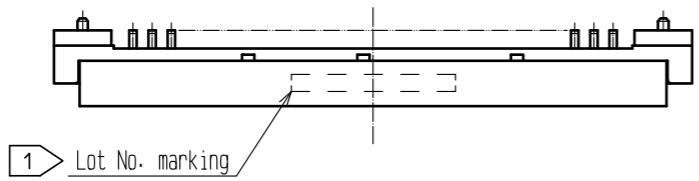
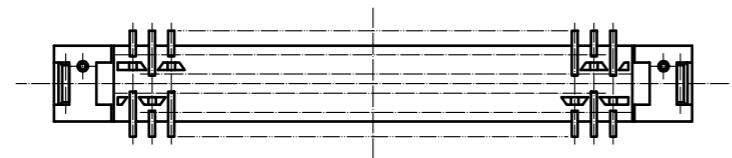
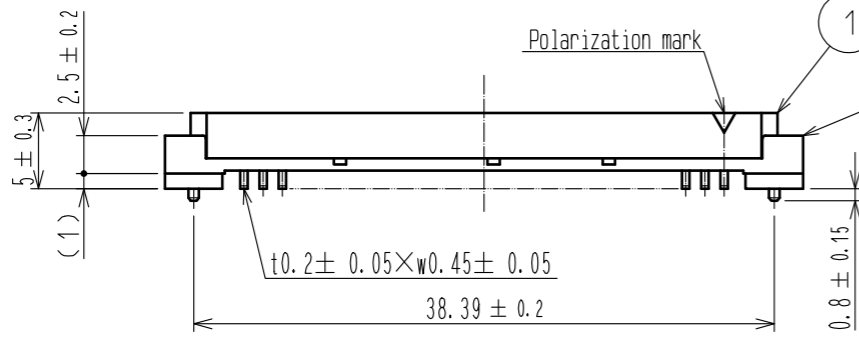
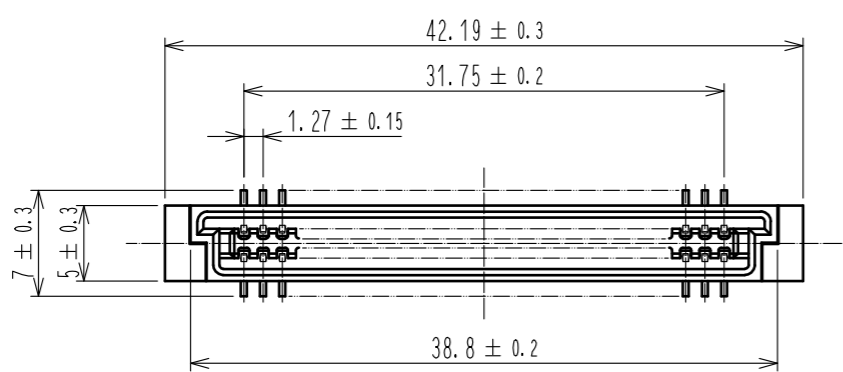


Sep.1.2021 Copyright 2021 HIROSE ELECTRIC CO., LTD. All Rights Reserved.
In case of consideration for using Automotive equipment / device which demand high reliability, kindly contact our sales window correspondents.



HRS DRAWING FOR REFERENCE

- Note
- ① Lot No. shall be indicated at optional position.
 - ② Lead coplanarity shall be 0.15mm MAX.
 - ③ The dimensions in parentheses are for reference.

1, 2, 4	POLYAMIDE	BEIGE UL94V-0	3	PHOSPHOR BRONZE	CONTACT AREA:GOLD 0.2μm min. LEAD AREA:TIN-PLATING 1.2μm min. UNDER PLATING:NICKEL 1μm min.
NO.	MATERIAL	FINISH . REMARKS	NO.	MATERIAL	FINISH . REMARKS
UNITS mm		SCALE 2 : 1	COUNT 	DESCRIPTION OF REVISIONS	DESIGNED
HRS HIROSE ELECTRIC CO., LTD.		APPROVED : NH. NAKATA	17.03.25	DRAWING NO.	EDC-083936-71-21
		CHECKED : HT. YAMAGUCHI	17.03.25	PART NO.	FX4B1-52S-1.27SV<71>
		DESIGNED : TS. OONO	17.03.25	CODE NO.	CL574-0314-6-71
		DRAWN : TS. OONO	17.03.25		

Mouser Electronics

Authorized Distributor

Click to View Pricing, Inventory, Delivery & Lifecycle Information:

[Hirose Electric:](#)

[FX4B1-52S-1.27SV\(71\)](#)