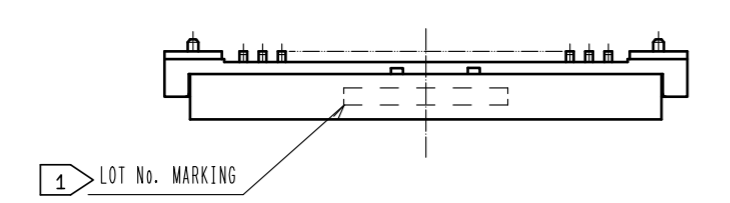
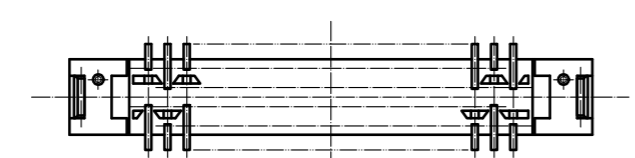
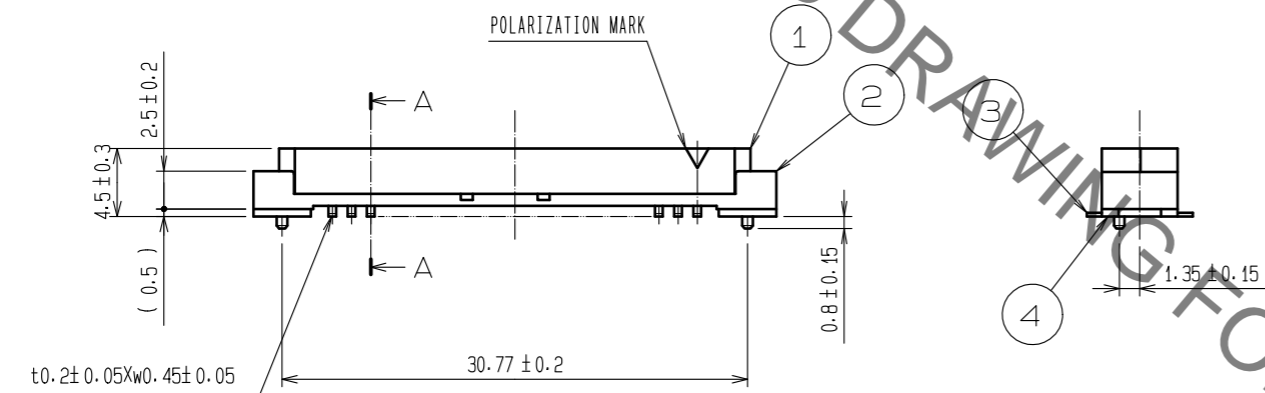
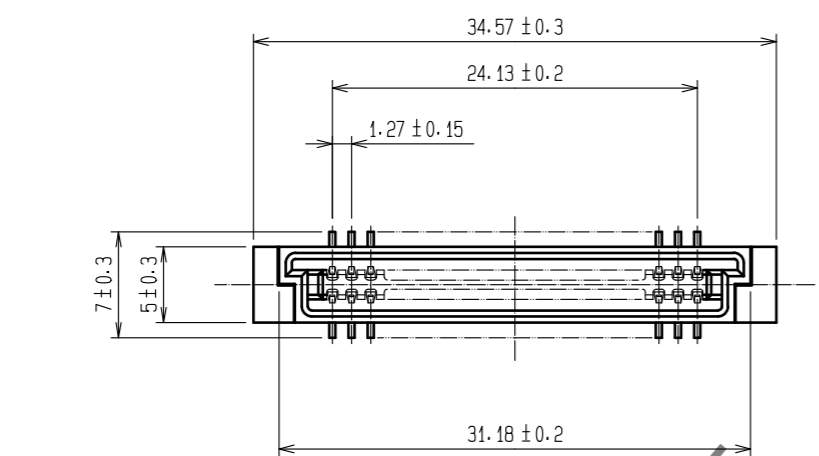
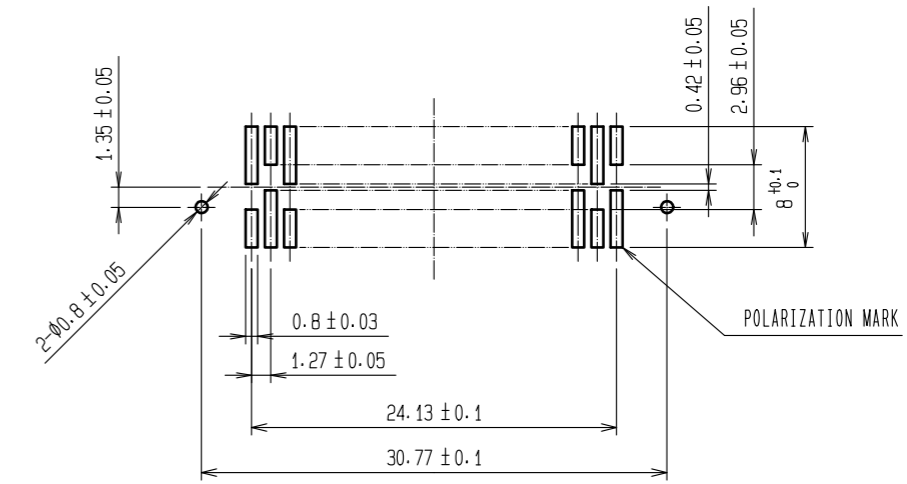


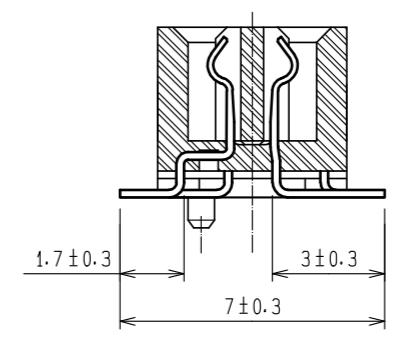
Sep.1.2021 Copyright 2021 HIROSE ELECTRIC CO., LTD. All Rights Reserved.
In case of consideration for using Automotive equipment / device which demand high reliability, kindly contact our sales window correspondents.



RECOMMENDED PC BOARD LAND PATTERN (MOUNTING SIDE)
(RECOMMENDED METAL MASK THICKNESS:0.2mm)



A-A(5:1)



- NOTE
- 1 LOT No. SHALL BE INDICATED AT OPTIONAL POSITION.
 - 2 LEAD CO-PLANARITY SHALL BE 0.15mm MAX.
 - 3 THE DIMENSIONS IN PARENTHESES ARE FOR REFERENCE.

1. 2. 4	POLYAMIDE	BEIGE	UL94V-0	3	PHOSPHOR BRONZE	CONTACT AREA : GOLD 0.2μm min. LEAD AREA : TIN PLATING 1.2μm min. UNDER PLATING : NICKEL 1μm min.		
NO.	MATERIAL	FINISH	REMARKS	NO.	MATERIAL	FINISH . REMARKS		
UNITS	mm	SCALE	2 : 1	COUNT	DESCRIPTION OF REVISIONS	DESIGNED	CHECKED	DATE
		HIROSE ELECTRIC CO., LTD.		APPROVED : HS. OKAWA 15.11.04 CHECKED : HT. YAMAGUCHI 15.11.04 DESIGNED : KN. YAMAZAKI 15.11.04 DRAWN : KN. YAMAZAKI 15.11.04	DRAWING NO. EDC-083928-71-00 PART NO. FX4BH-40S-1.27SV<71> CODE NO. CL574-0303-0-71	1/1		

Mouser Electronics

Authorized Distributor

Click to View Pricing, Inventory, Delivery & Lifecycle Information:

[Hirose Electric:](#)

[FX4BH-40S-1.27SV\(71\)](#)