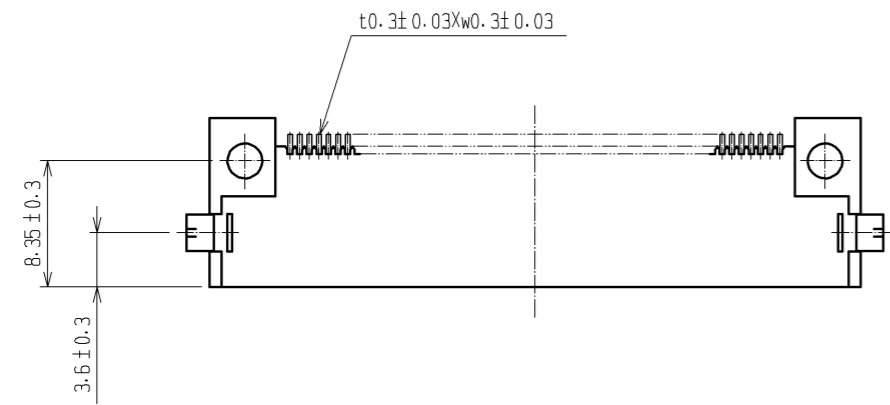
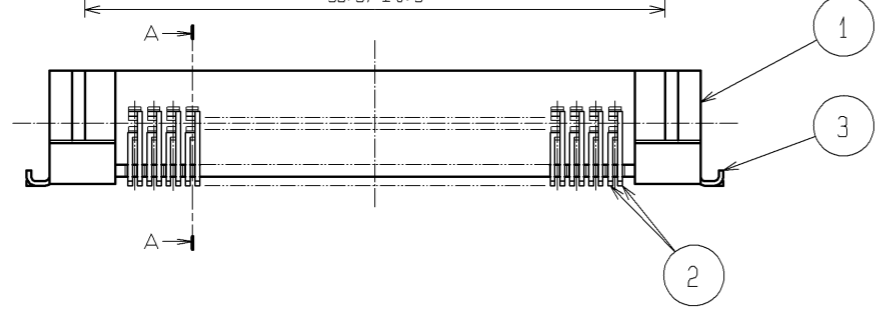
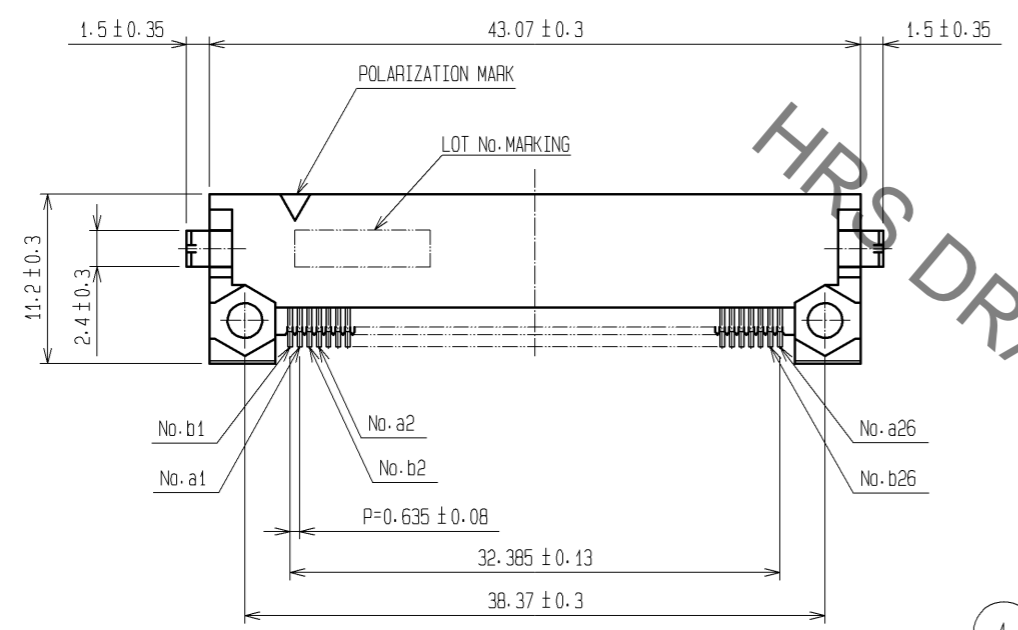
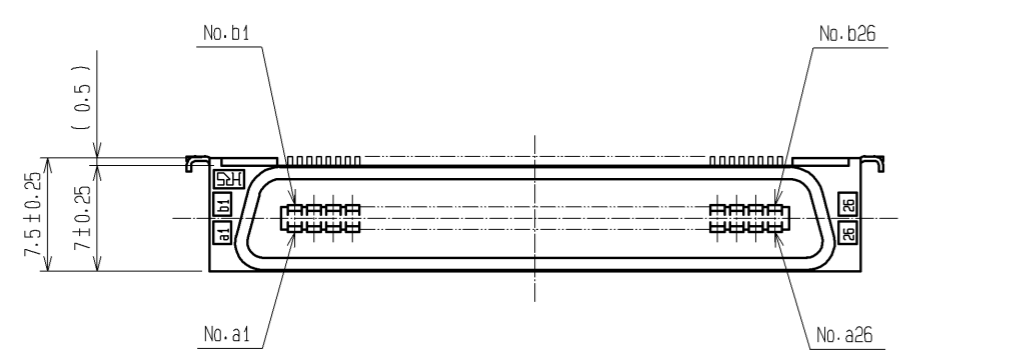
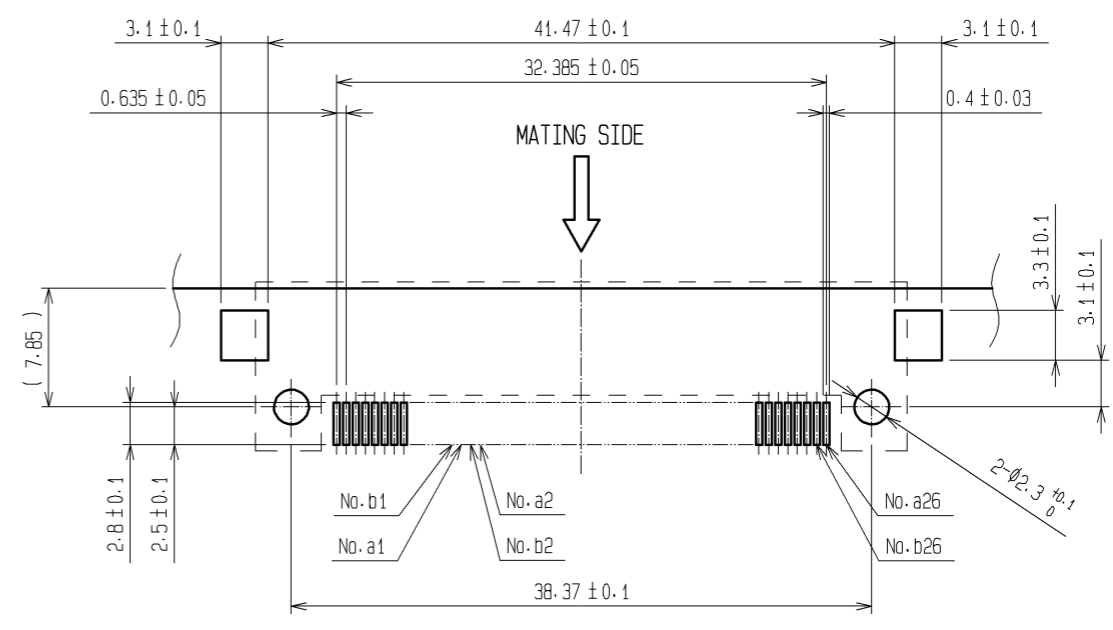


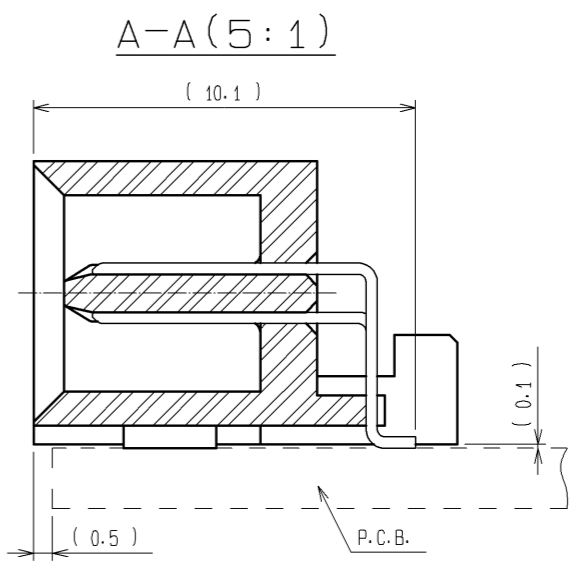
Sep.1.2021 Copyright 2021 HIROSE ELECTRIC CO., LTD. All Rights Reserved.
In case of consideration for using Automotive equipment / device which demand high reliability, kindly contact our sales window correspondents.



NOTE 1. LEAD CO-PLANARITY SHALL BE 0.1mm MAX.
2. THE DIMENSIONS IN PARENTHESES ARE FOR REFERENCE.



RECOMMENDED P.C.B. LAND PATTERN
MOUNT SIDE (THICKNESS OF APPLICABLE BOARD: $t=1.6 \pm 0.1$)
(RECOMMENDED METAL MASK THICKNESS: 0.15mm)



3	BRASS	TIN-PLATING	2	BRASS	CONTACT AREA : GOLD 0.2μm min.		
1	POLYPHENYLENE SULFIDE	LIGHT BROWN (UL94V-0)			LEAD AREA : TIN-PLATING 2μm min.		
					UNDER PLATING : NICKEL 1μm min.		
NO.	MATERIAL	FINISH . REMARKS	NO.	MATERIAL	FINISH . REMARKS		
UNITS		SCALE	COUNT	DESCRIPTION OF REVISIONS	DESIGNED	CHECKED	DATE
mm		2 : 1	△				
HRS HIROSE ELECTRIC CO., LTD.		APPROVED : HS. OKAWA	09.04.02	DRAWING NO. EDC3-150360-21			
		CHECKED : HT. YAMAGUCHI	09.04.02	PART NO. FX2A-52P-0.635SH(71)			
		DESIGNED : SY. KAMIGA	09.04.02	CODE NO. CL572-2774-4-71			
		DRAWN : HK. SUNADORI	09.04.02			1/1	

HRS DRAWING FOR REFERENCE

Mouser Electronics

Authorized Distributor

Click to View Pricing, Inventory, Delivery & Lifecycle Information:

[Hirose Electric:](#)

[FX2A-52P-0.635SH\(71\)](#)