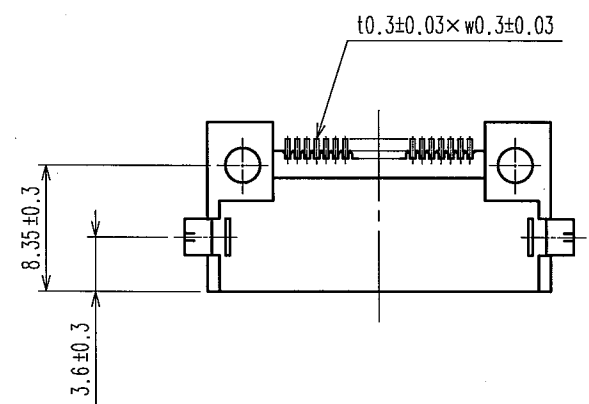
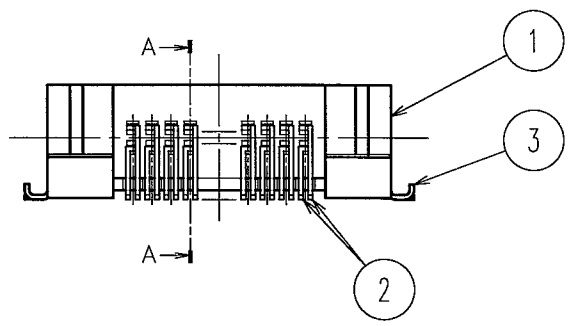
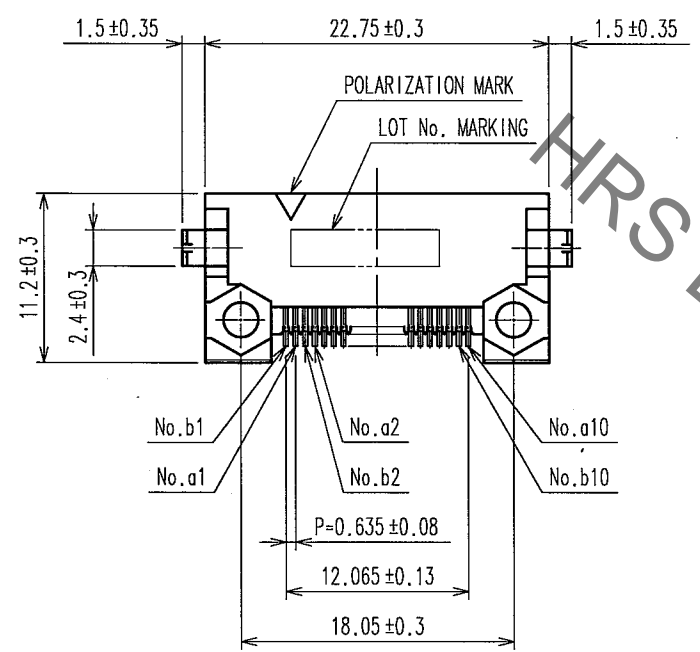
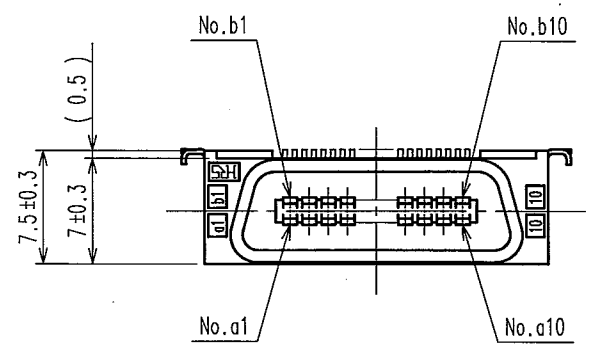


Sep.1.2021 Copyright 2021 HIROSE ELECTRIC CO., LTD. All Rights Reserved.
In case of consideration for using Automotive equipment / device which demand high reliability, kindly contact our sales window correspondents.

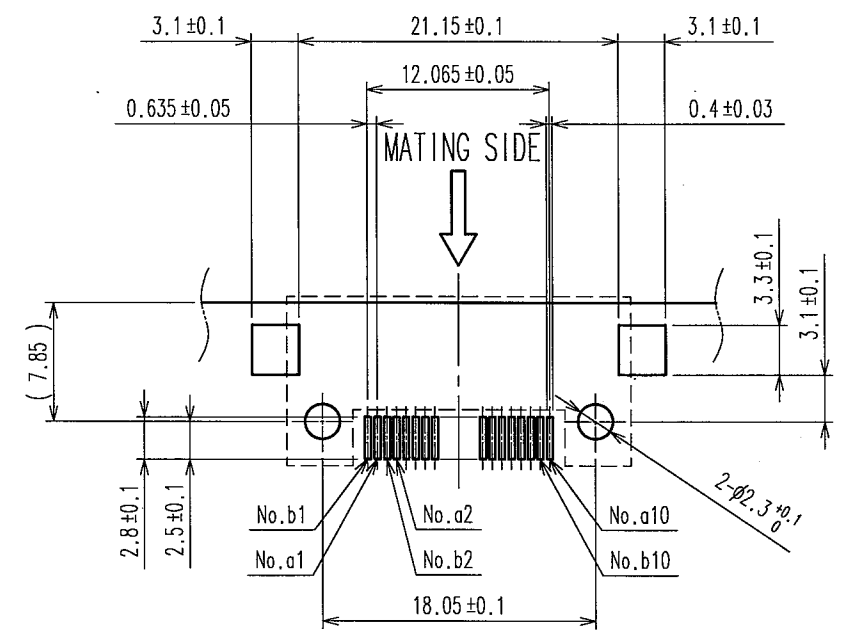
TO
PCK



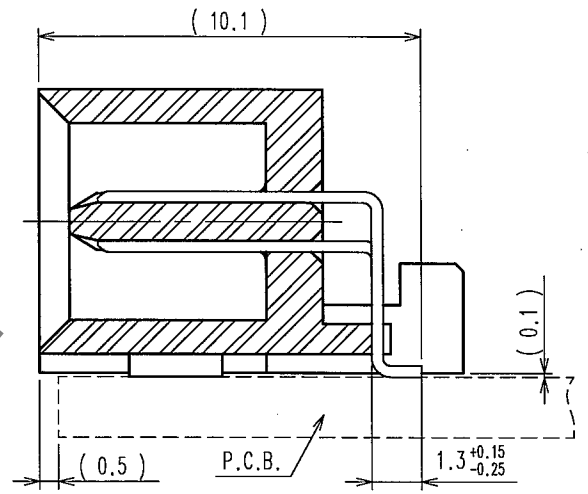
NOTE 1 LEAD CO-PLANARITY SHALL BE 0.1 MAX.
2 THE DIMENSIONS IN PARENTHESES ARE FOR REFERENCE.

COUNT	DESCRIPTION OF REVISIONS	BY	CHKD	DATE	COUNT	DESCRIPTION OF REVISIONS	BY	CHKD	DATE
△					△				
△					△				
△					△				

RECOMMENDED LAND PATTERN DIMENSION OF PCB (MOUNTING SIDE)
t = 1.6



A-A (5:1)



3	BRASS	TIN-PLATING	2	BRASS	CONTACT AREA:GOLD 0.2μ min.
1	PPS	LIGHT BROWN (UL94V-0)			LEAD AREA:TIN-PLATING 2μ min.
					UNDER PLATING:NICKEL 1μ min.
NO.	MATERIAL	FINISH, REMARKS	NO.	MATERIAL	FINISH, REMARKS
CODE NO. (OLD) CL		DRAWN A.SUZUKAWA 06.03.07	DESIGNED H.Nakamura 06.03.13	CHECKED K.Ogawa 06.03.13	APPROVED H.Okawa 06.03.13
SCALE 2:1		DRAWING NO. EDC3-150358-21		PART NO. FX2A-20P-0.635SH(71)	
UNITS mm		HRS HIROSE ELECTRIC CO., LTD		CODE NO. CL572-2771-6-71	
					1/1

Mouser Electronics

Authorized Distributor

Click to View Pricing, Inventory, Delivery & Lifecycle Information:

[Hirose Electric:](#)

[FX2A-20P-0.635SH\(71\)](#)