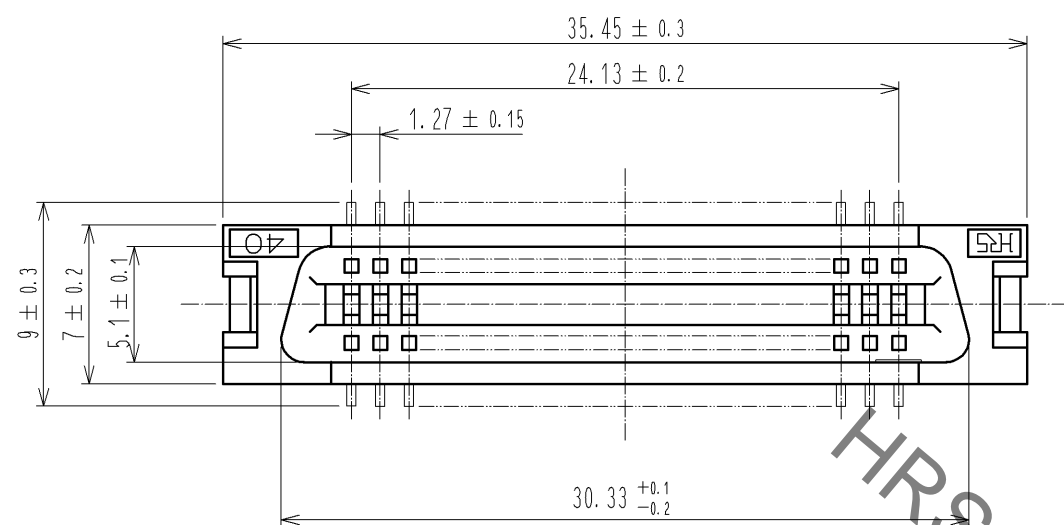
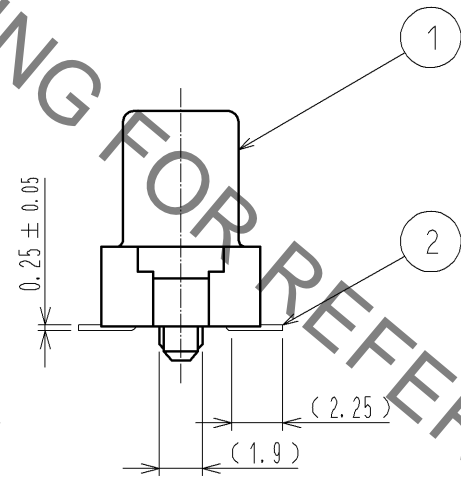
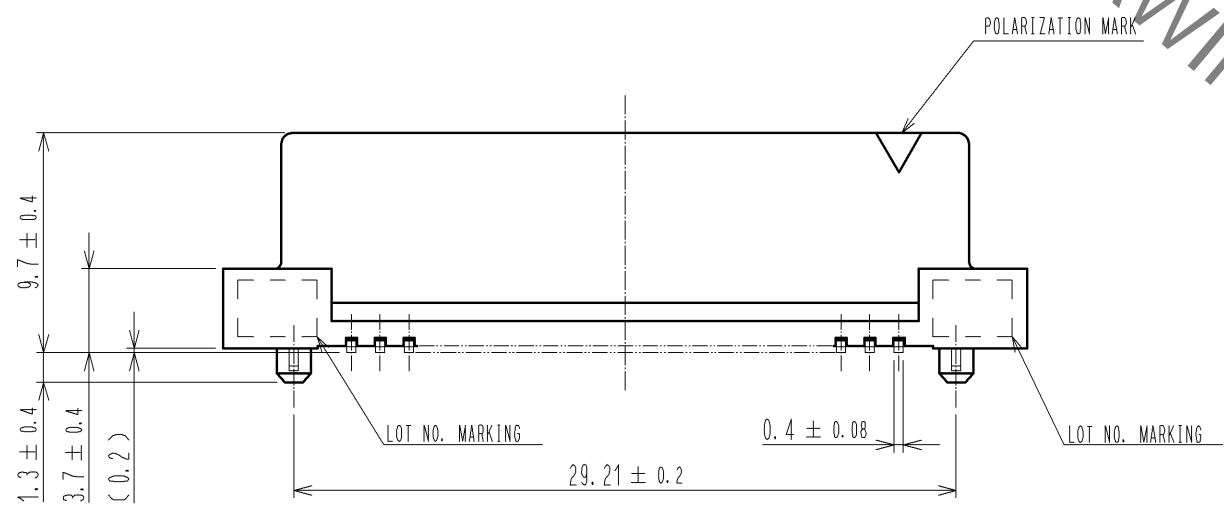
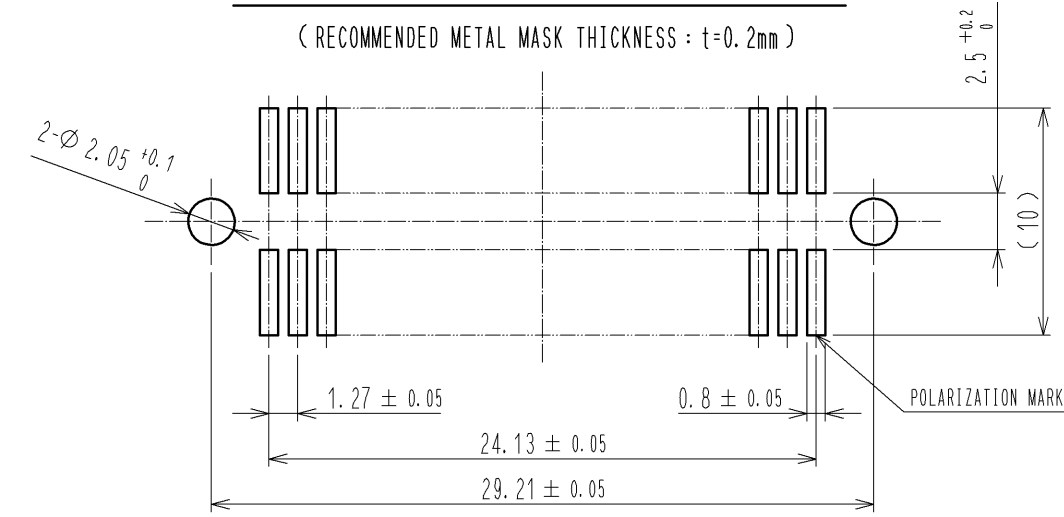


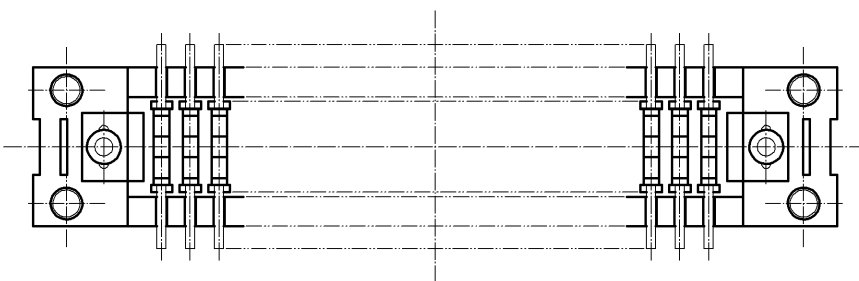
Sep.1.2021 Copyright 2021 HIROSE ELECTRIC CO., LTD. All Rights Reserved.
In case of consideration for using Automotive equipment / device which demand high reliability, kindly contact our sales window correspondents.



RECOMMENDED LAND PATTERN DIMENSION OF PCB
(RECOMMENDED METAL MASK THICKNESS : t=0.2mm)



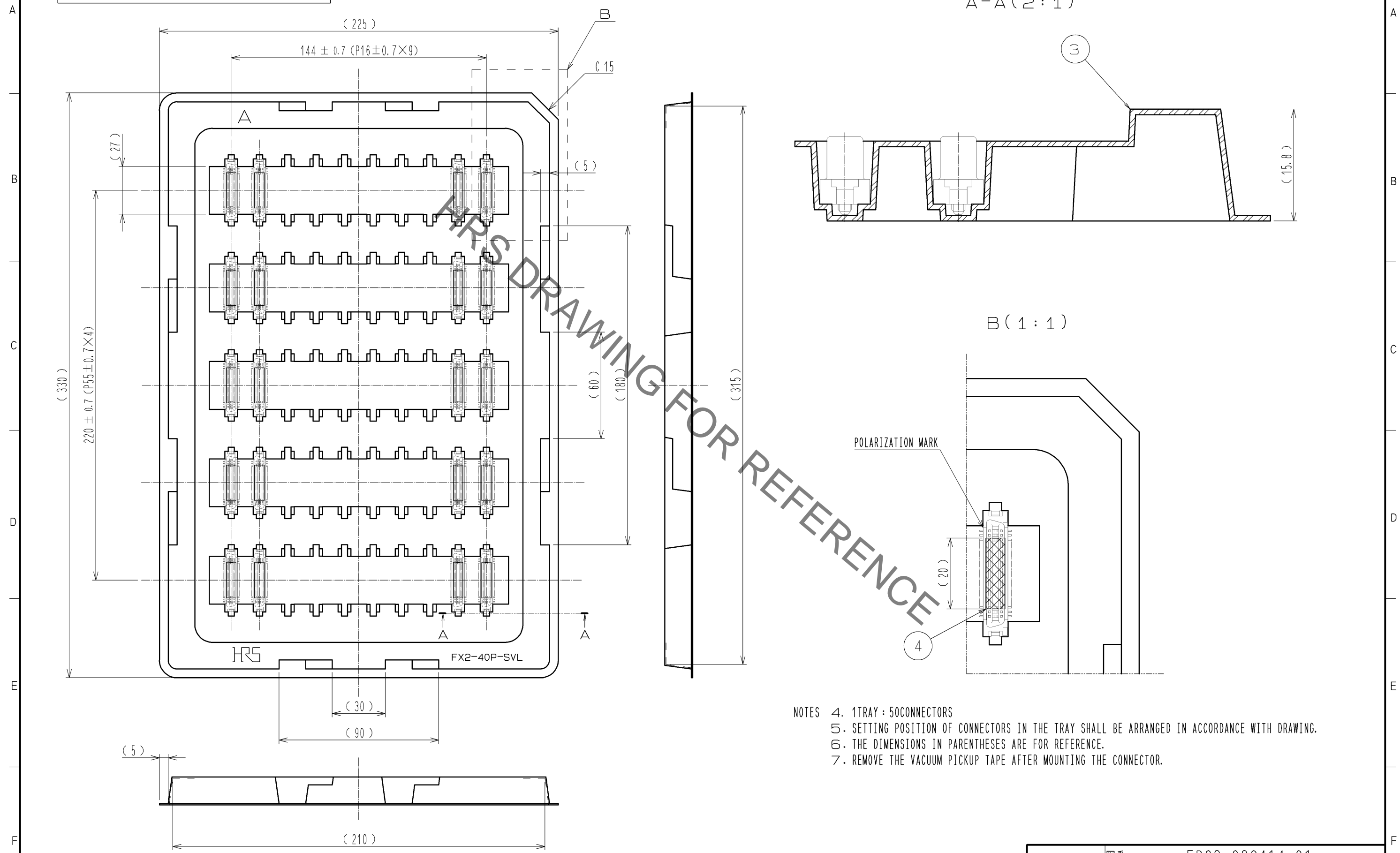
- NOTES 1. LEAD CO-PLANARITY SHALL BE 0.15 MAX.
2. THE DIMENSIONS IN PARENTHESES ARE FOR REFERENCE.
3. TRAY PACKAGING SHALL BE APPLIED TO THIS PRODUCT. SEE NEXT PAGE FOR DETAILS.



3	PS	TRAY	4	PI	TAPE FOR VACUUM PICKUP
1	PPS	LIGHT BROWN (UL94V-0)	2	PHOSPHER BRONZE	CONTACT AREA : GOLD 0.2μm min LEAD AREA : TIN-PLATING 2μm min UNDER PLATING : NICKEL 1.5μm min
NO.	MATERIAL	FINISH . REMARKS	NO.	MATERIAL	FINISH . REMARKS
UNITS mm		SCALE 3 : 1	COUNT 	DESCRIPTION OF REVISIONS	
HRS HIROSE ELECTRIC CO., LTD.		APPROVED : HS. OKAWA 13.07.30	DESIGNED	EDC3-082414-01	
		CHECKED : HT. YAMAGUCHI 13.07.30	CHECKED	FX2-40S-1.27SV(96)	
		DESIGNED : TY. EDAGAWA 13.07.30	DATE	CL572-2103-9-96	
		DRAWN : TY. EDAGAWA 13.07.30			

Sep.1.2021 Copyright 2021 HIROSE ELECTRIC CO., LTD. All Rights Reserved.
 In case of consideration for using Automotive equipment / device which demand high reliability, kindly contact our sales window correspondents.

DRAWING FOR PACKING(1:2)



- NOTES
4. 1TRAY : 50CONNECTORS
 5. SETTING POSITION OF CONNECTORS IN THE TRAY SHALL BE ARRANGED IN ACCORDANCE WITH DRAWING.
 6. THE DIMENSIONS IN PARENTHESES ARE FOR REFERENCE.
 7. REMOVE THE VACUUM PICKUP TAPE AFTER MOUNTING THE CONNECTOR.

HRS	図番:	EDC3-082414-01	△ 2/2
	製品名:	FX2-40S-1.27SV(96)	
	製品コード:	CL572-2103-9-96	

Mouser Electronics

Authorized Distributor

Click to View Pricing, Inventory, Delivery & Lifecycle Information:

[Hirose Electric:](#)

[FX2-40S-1.27SV\(96\)](#)