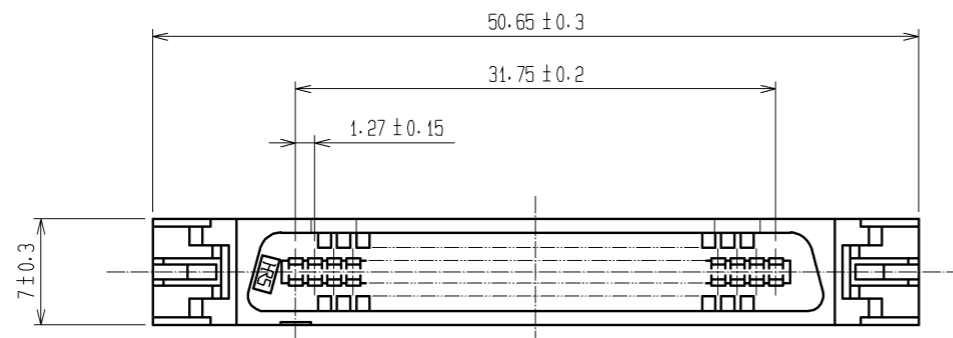
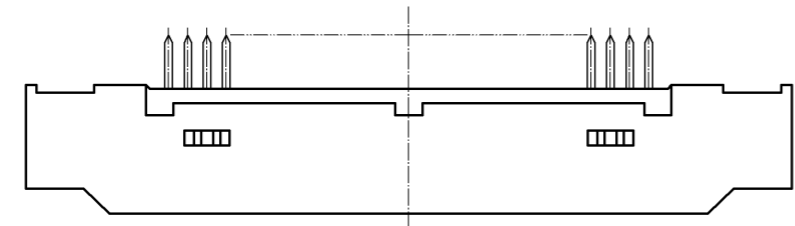
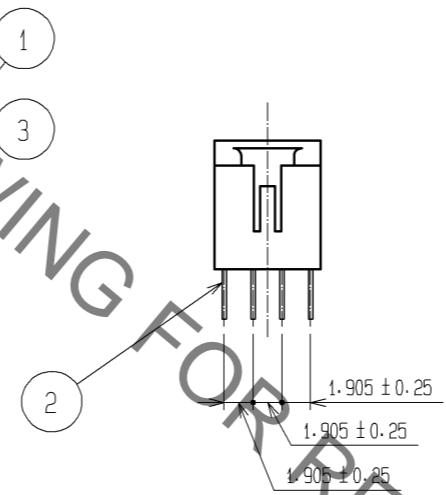
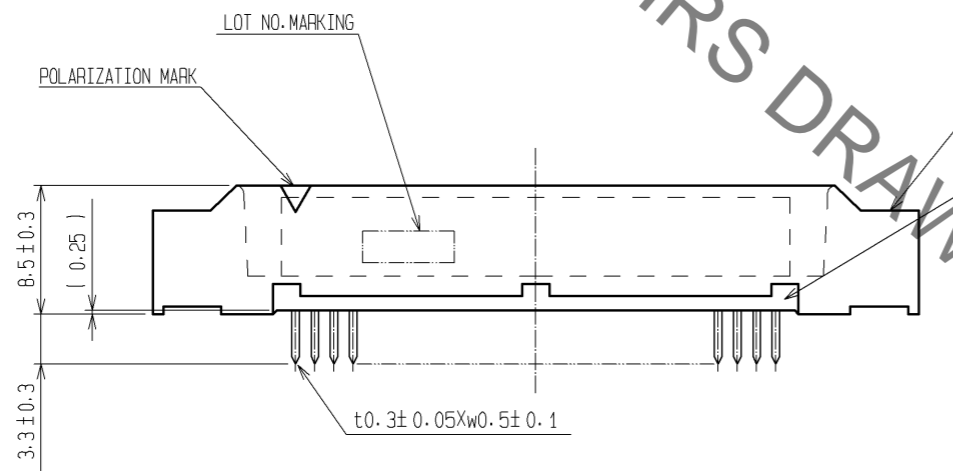
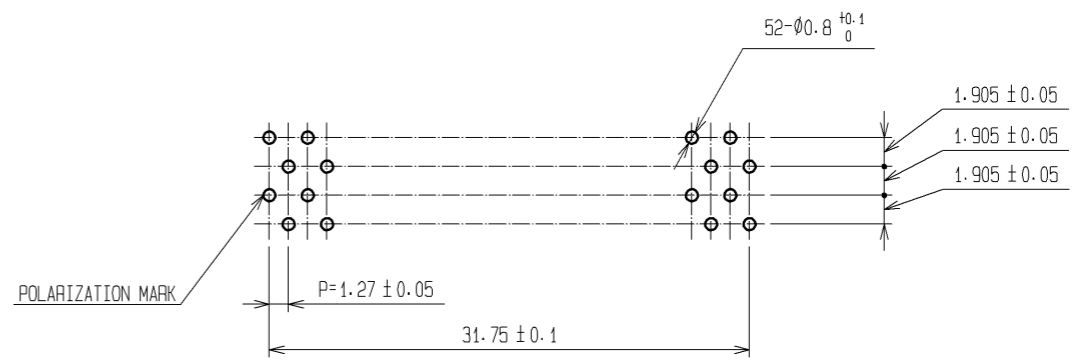


Sep.1.2021 Copyright 2021 HIROSE ELECTRIC CO., LTD. All Rights Reserved.
In case of consideration for using Automotive equipment / device which demand high reliability, kindly contact our sales window correspondents.



RECOMMEND PC BOARD HOLE PATTERN(MOUNTING SIDE)



HRS DRAWING FOR REFERENCE

NOTE THE DIMENSIONS IN PARENTHESES ARE FOR REFERENCE.

1.3	POLYAMIDE	BLACK UL94V-0	2	BLASS	CONTACT AREA:GOLD FLASH DIP AREA:TIN-PLATING 2µm min. UNDER PLATING:NICKEL 1µm min.		
NO.	MATERIAL	FINISH . REMARKS	NO.	MATERIAL	FINISH . REMARKS		
UNITS mm		SCALE 2 : 1	COUNT 	DESCRIPTION OF REVISIONS	DESIGNED	CHECKED	DATE
HRS HIROSE ELECTRIC CO., LTD.		APPROVED : HS. OKAWA	07.12.27	DRAWING NO. EDC3-150647-21			
		CHECED : HS. OZAWA	07.12.27	PART NO. FX2BA-52PA-1. 27DSA(71)			
		DESIGNED : SY. KAMIGA	07.12.26	CODE NO. CL572-0924-4-71			
		DRAWN : HK. SUNADORI	07.12.26			1/1	

Mouser Electronics

Authorized Distributor

Click to View Pricing, Inventory, Delivery & Lifecycle Information:

[Hirose Electric:](#)

[FX2BA-52PA-1.27DSA\(71\)](#)