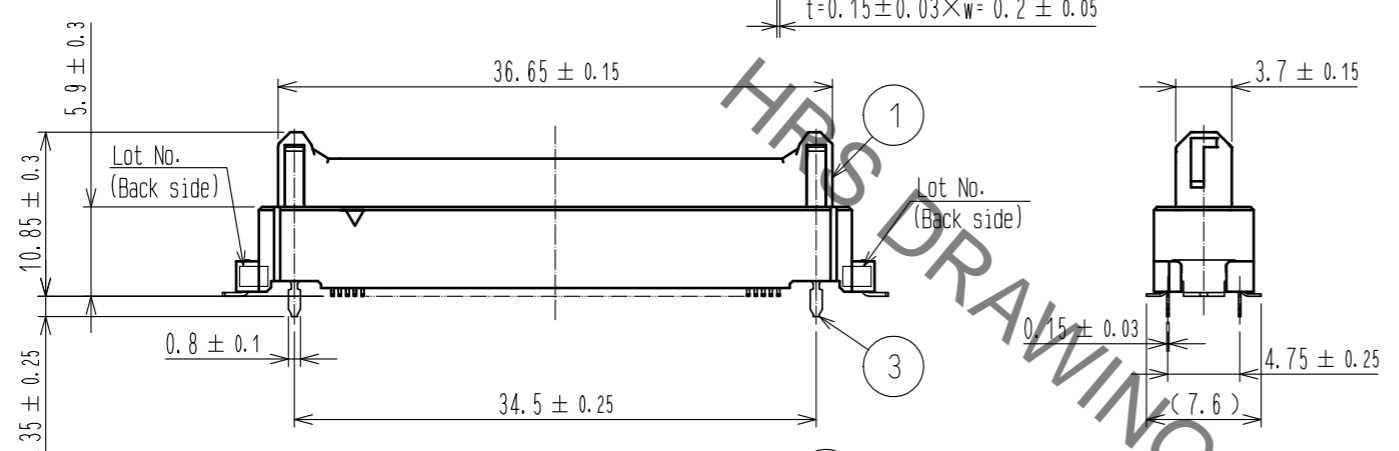
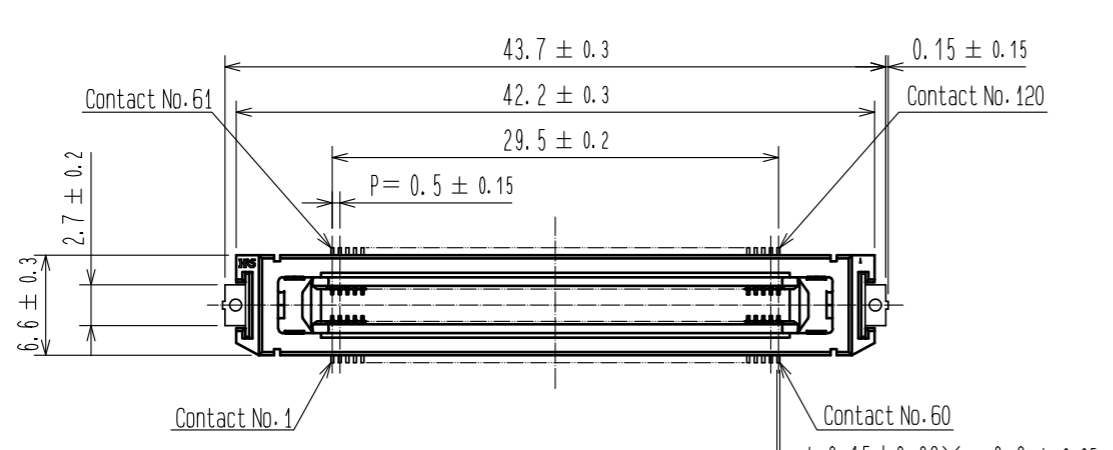
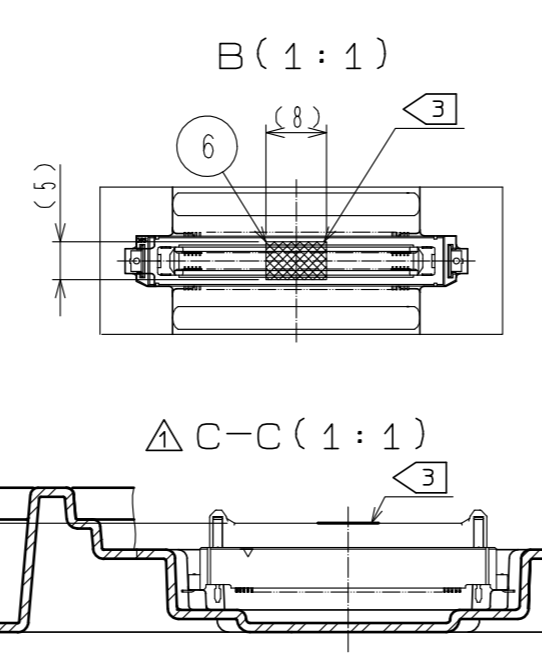
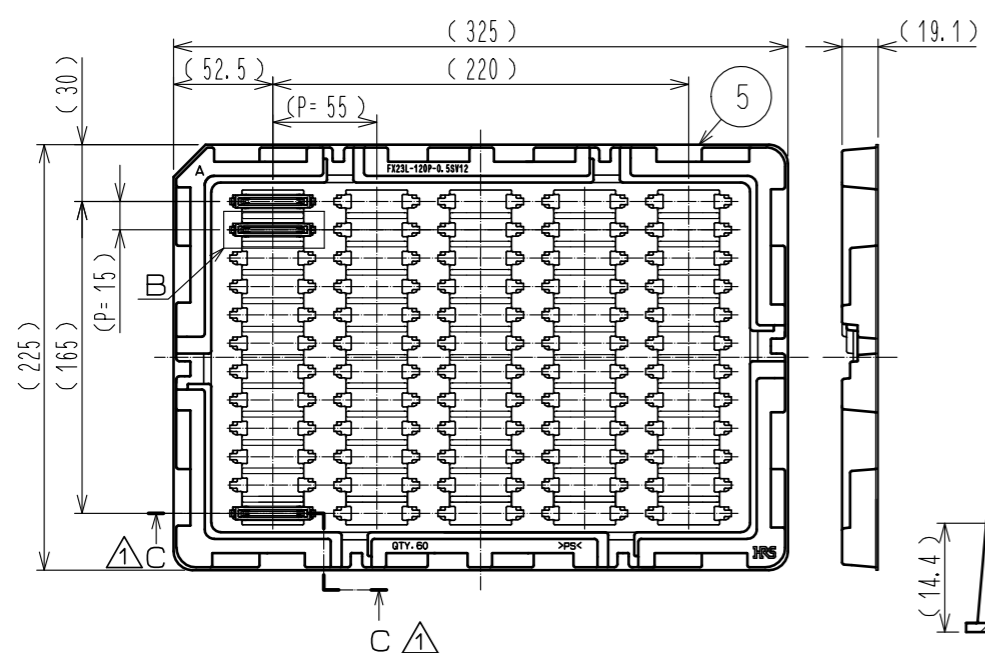


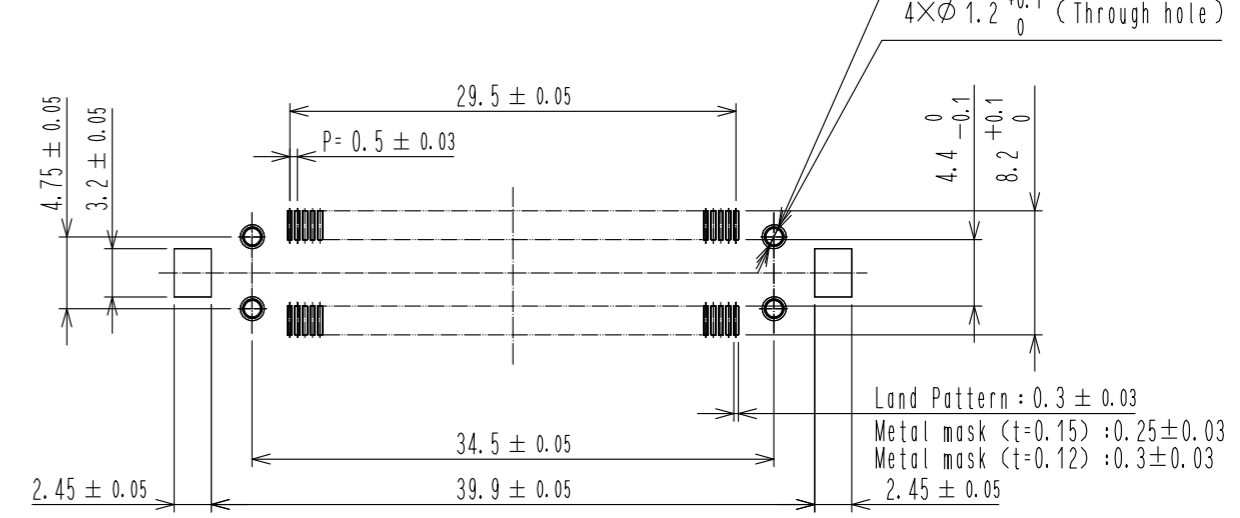
Sep.1.2021 Copyright 2021 HIROSE ELECTRIC CO., LTD. All Rights Reserved.  
In case of consideration for using Automotive equipment / device which demand high reliability, kindly contact our sales window correspondents.



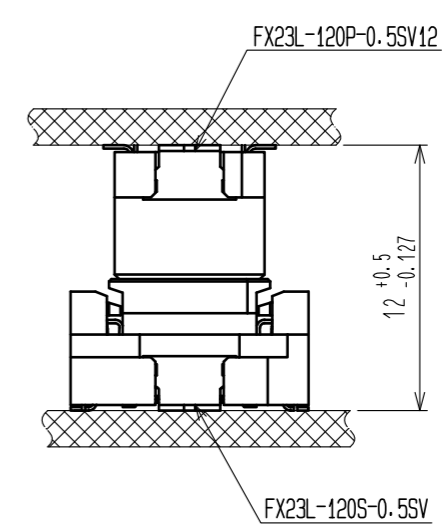
2 DRAWING FOR PACKING (No scale)



RECOMMENDED LAND PATTERN DIMENSION OF PCB  
(PCB THICKNESS: t=1.6mm)



6 PCB DISTANCE (No scale)



- Note 1 Lead CO-Planarity is 0.1mm MAX.  
 2 This is packaged in tray. (60pcs/tray)  
 3 It shows the vacuum pickup area. Remove the mylar tape before mating connectors.  
 4 Blemish and hit mark can be occurred through out the manufacturing process which doesn't affect quality level.  
 5 The dimensions in parentheses are for references.  
 6 Please use the connectors within the specified PCB distance.

NO.	MATERIAL	FINISH . REMARKS	NO.	MATERIAL	FINISH . REMARKS
2	COPPER ALLOY	CONTACT AREA:GOLD 0.1 μm LEAD AREA:GOLD 0.03 μm UNDER PLATING:NICKEL 1.3 μm	6	POLYIMIDE	(TAPE FOR VACUUM PICKUP)
1	POLYAMIDE	BLACK UL94V-0	5	POLYSTYRENE	(TRAY)
			4	BRASS	TIN-PLATING 1 μm
			3	COPPER ALLOY	CONTACT AREA:GOLD 0.1 μm LEAD AREA:TIN-PLATING 1 μm UNDER PLATING:NICKEL 1.3 μm

UNITS	SCALE	COUNT	DESCRIPTION OF REVISIONS	DESIGNED	CHECKED	DATE
mm	2 : 1	3	DIS-F-00000834	TS. OONO	KN. SHIBUYA	15.11.10

APPROVED	DESIGNED	DRAWING NO.	PART NO.	CODE NO.
HS. OKAWA 15.05.12	TS. OONO 15.05.12	EDC3-358062-00	FX23L-120P-0.5SV12	CL573-2206-8-00
CHECKED : KN. SHIBUYA 15.05.12	DESIGNED : TS. OONO 15.05.12			
DRAWN : Wonsuk. Yoon 15.05.11				

# Mouser Electronics

Authorized Distributor

Click to View Pricing, Inventory, Delivery & Lifecycle Information:

[Hirose Electric:](#)

[FX23L-120P-0.5SV12](#)