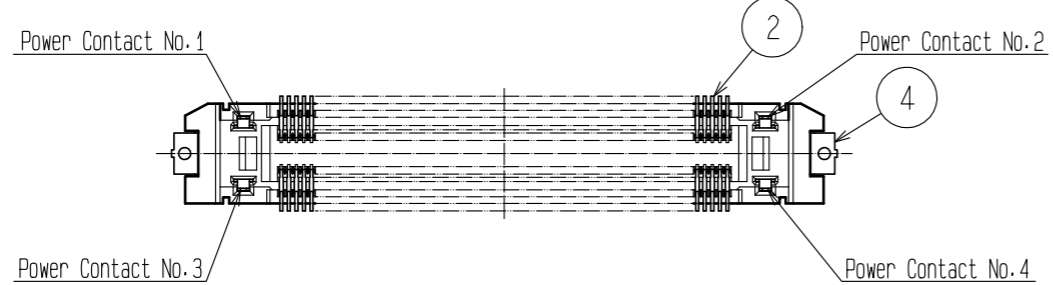
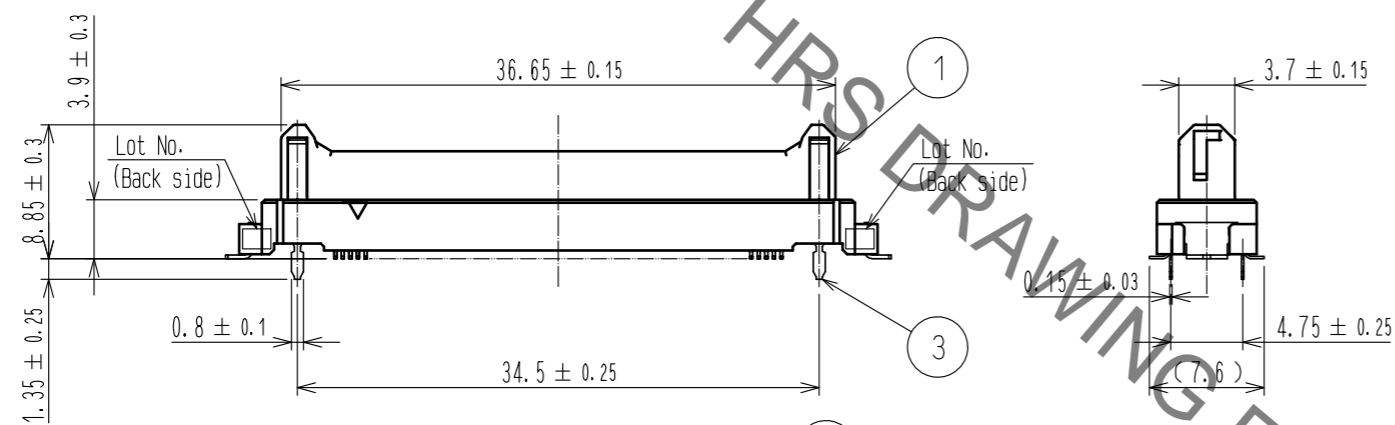
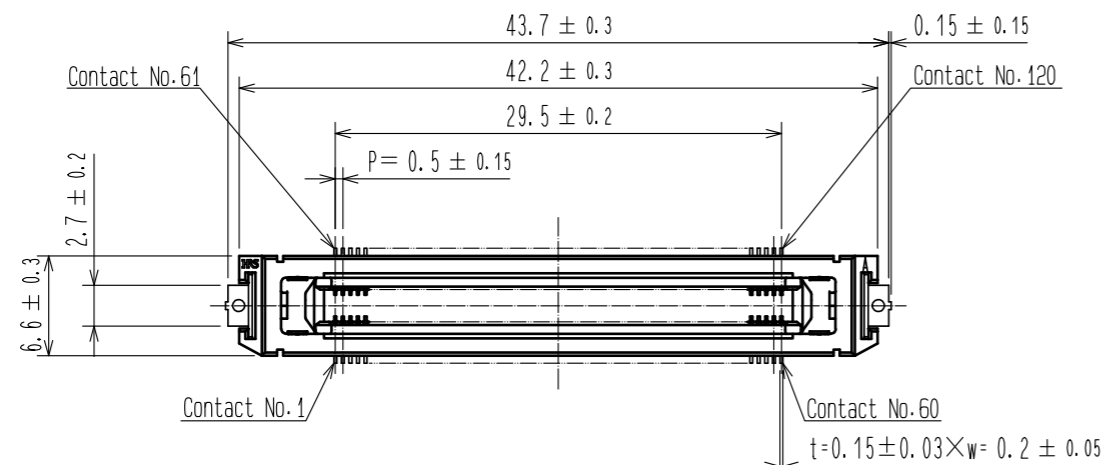
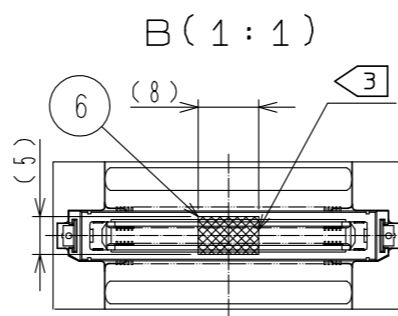
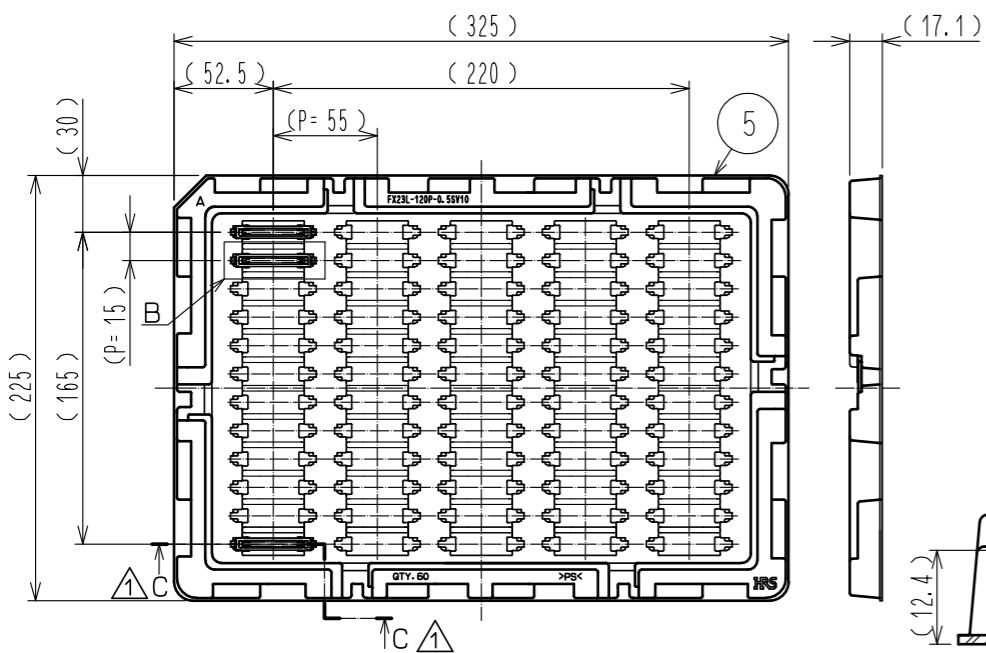


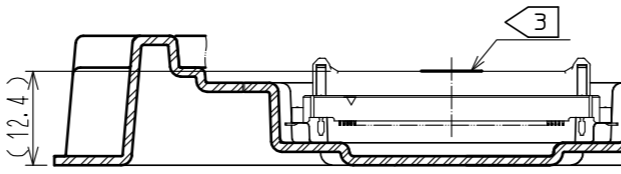
Sep.1.2021 Copyright 2021 HIROSE ELECTRIC CO., LTD. All Rights Reserved.
In case of consideration for using Automotive equipment / device which demand high reliability, kindly contact our sales window correspondents.



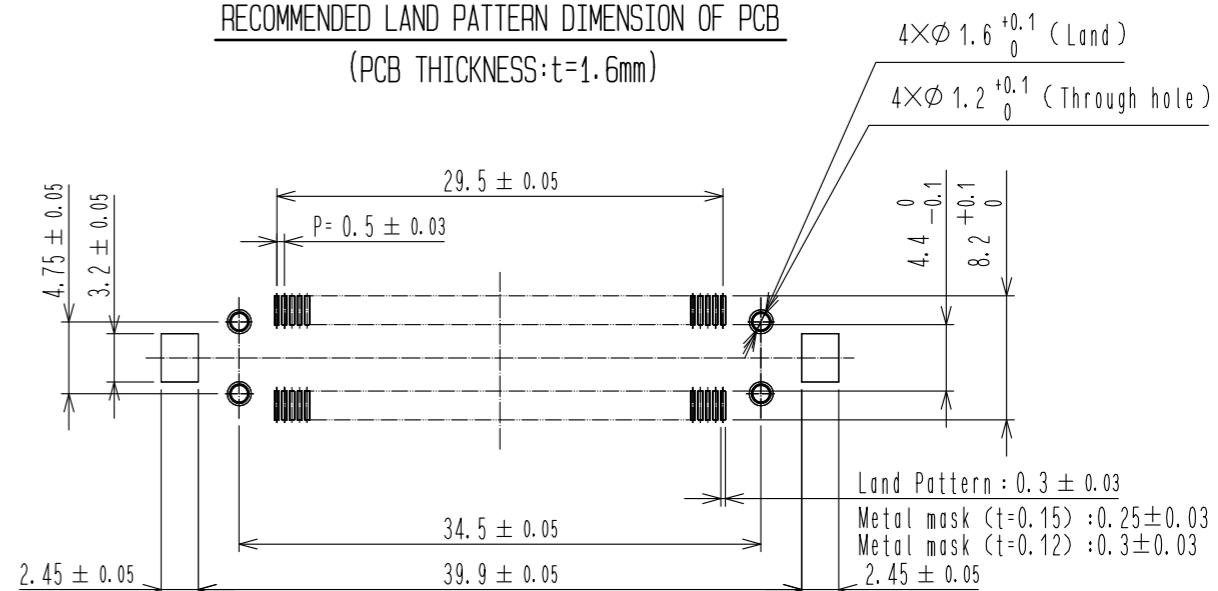
2 DRAWING FOR PACKING (No scale)



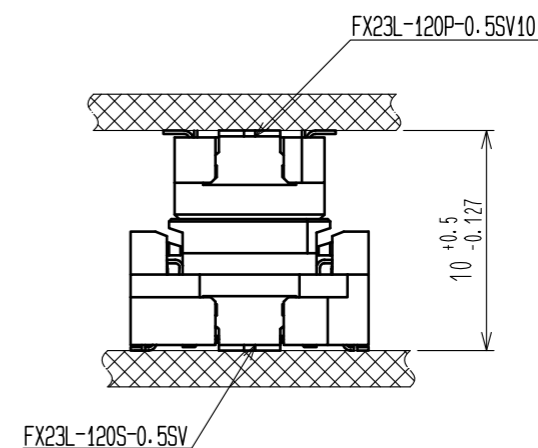
C-C (1:1)



RECOMMENDED LAND PATTERN DIMENSION OF PCB
(PCB THICKNESS: t=1.6mm)



6 PCB DISTANCE (No scale)



- Note 1 Lead CO-Planarity is 0.1mm MAX.
 2 This is packaged in tray. (60pcs/tray)
 3 It shows the vacuum pickup area. Remove the mylar tape before mating connectors.
 4 Blemish and hit mark can be occurred through out the manufacturing process which doesn't affect quality level.
 5 The dimensions in parentheses are for references.
 6 Please use the connectors within the specified PCB distance.

| NO. | MATERIAL | FINISH . REMARKS | NO. | MATERIAL | FINISH . REMARKS |
|-----|--------------|---|-----|--------------|---|
| 2 | COPPER ALLOY | CONTACT AREA:GOLD 0.1 μm LEAD AREA:GOLD 0.03 μm UNDER PLATING:NICKEL 1.3 μm | 6 | POLYIMIDE | (TAPE FOR VACUUM PICKUP) |
| 1 | POLYAMIDE | BLACK UL94V-0 | 5 | POLYSTYRENE | (TRAY) |
| | | | 4 | BRASS | TIN-PLATING 1 μm |
| | | | 3 | COPPER ALLOY | CONTACT AREA:GOLD 0.1 μm LEAD AREA:TIN-PLATING 1 μm UNDER PLATING:NICKEL 1.3 μm |

| UNITS | SCALE | COUNT | DESCRIPTION OF REVISIONS | DESIGNED | CHECKED | DATE |
|-------|-------|-------|--------------------------|----------|------------|----------|
| mm | 2 : 1 | 3 | DIS-F-00000834 | TS.00NO | KN.SHIBUYA | 15.11.10 |

| APPROVED | DATE | DRAWING NO. |
|--------------|----------|--------------------|
| HS. OKAWA | 15.05.12 | EDC3-358055-00 |
| KN. SHIBUYA | 15.05.12 | PART NO. |
| TS. 00NO | 15.05.12 | FX23L-120P-0.5SV10 |
| Wonsuk. Yoon | 15.05.11 | CODE NO. |
| | | CL573-2106-3-00 |

Mouser Electronics

Authorized Distributor

Click to View Pricing, Inventory, Delivery & Lifecycle Information:

[Hirose Electric:](#)

[FX23L-120P-0.5SV10](#)