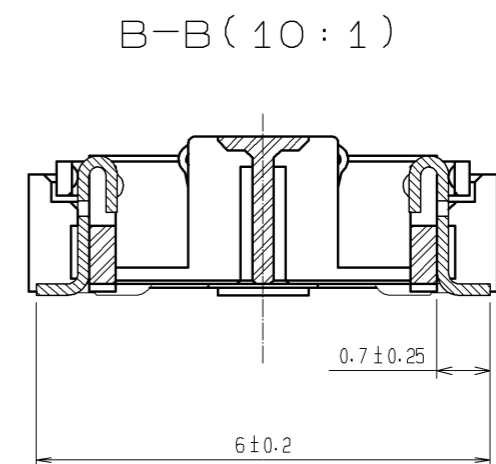
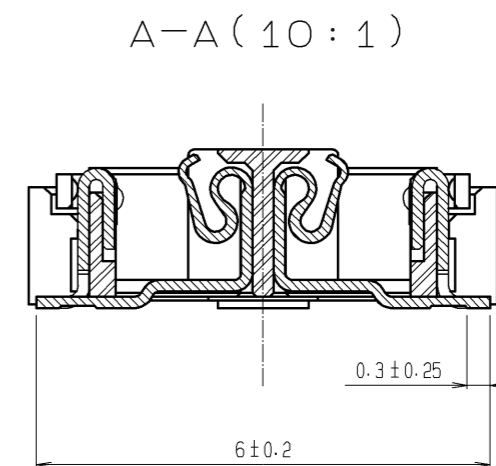
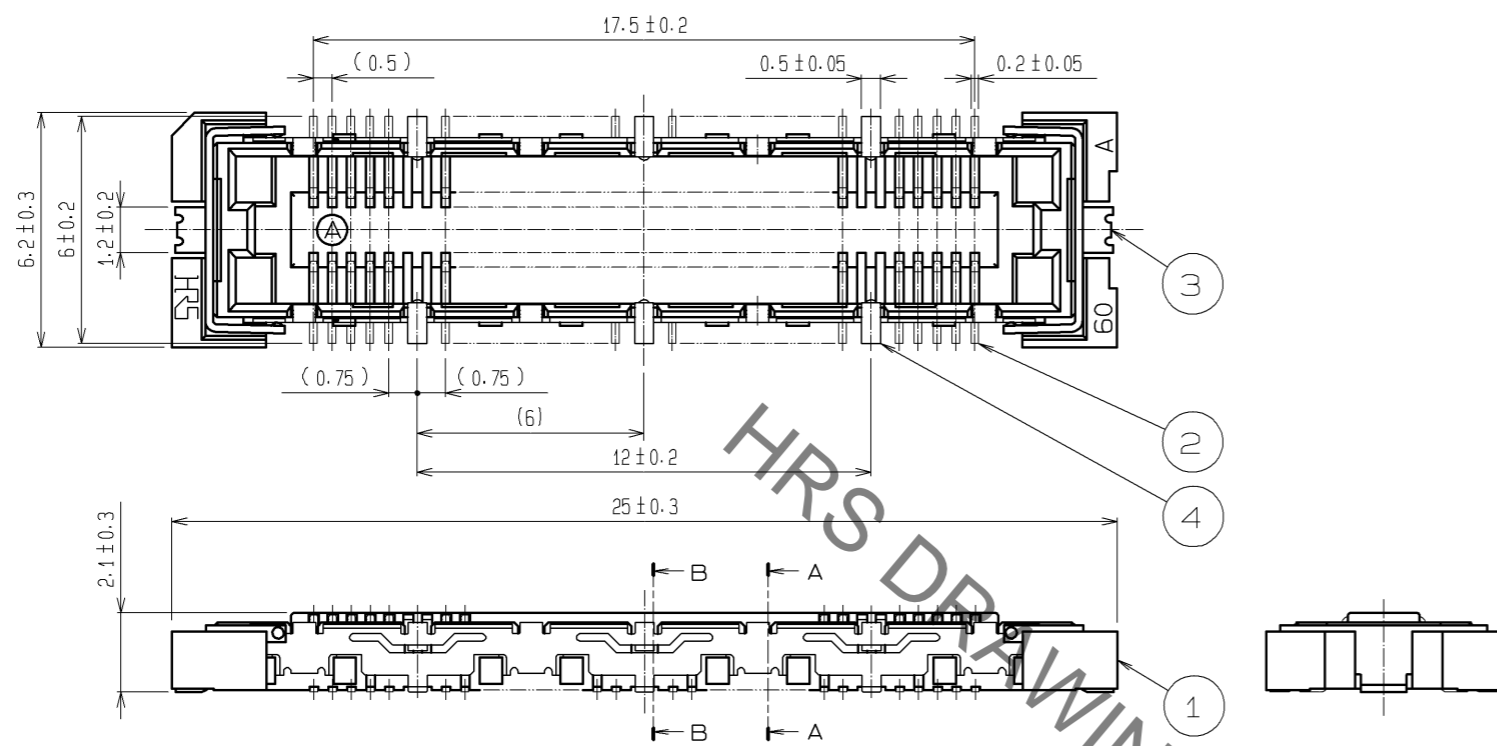
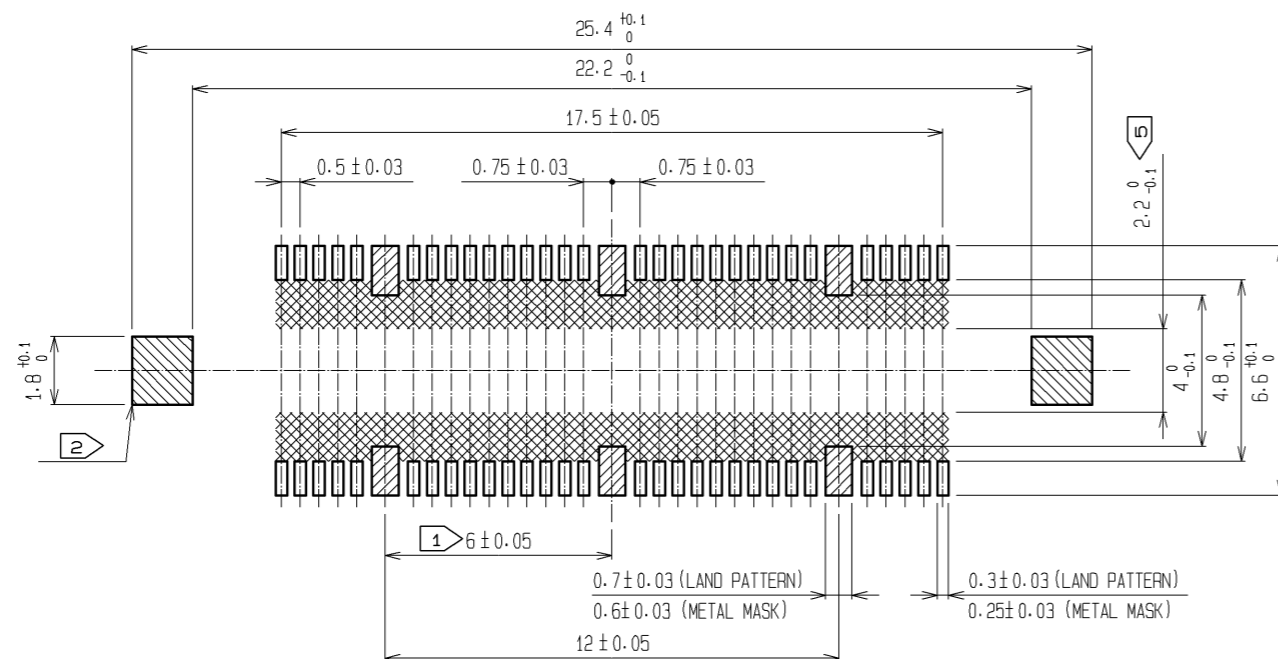


Sep.1.2021 Copyright 2021 HIROSE ELECTRIC CO., LTD. All Rights Reserved.  
In case of consideration for using Automotive equipment / device which demand high reliability, kindly contact our sales window correspondents.



RECOMMENDED LAND PATTERN DIMENSION OF PCB  
(RECOMMENDED METAL MASK THICKNESS: 0.15mm)



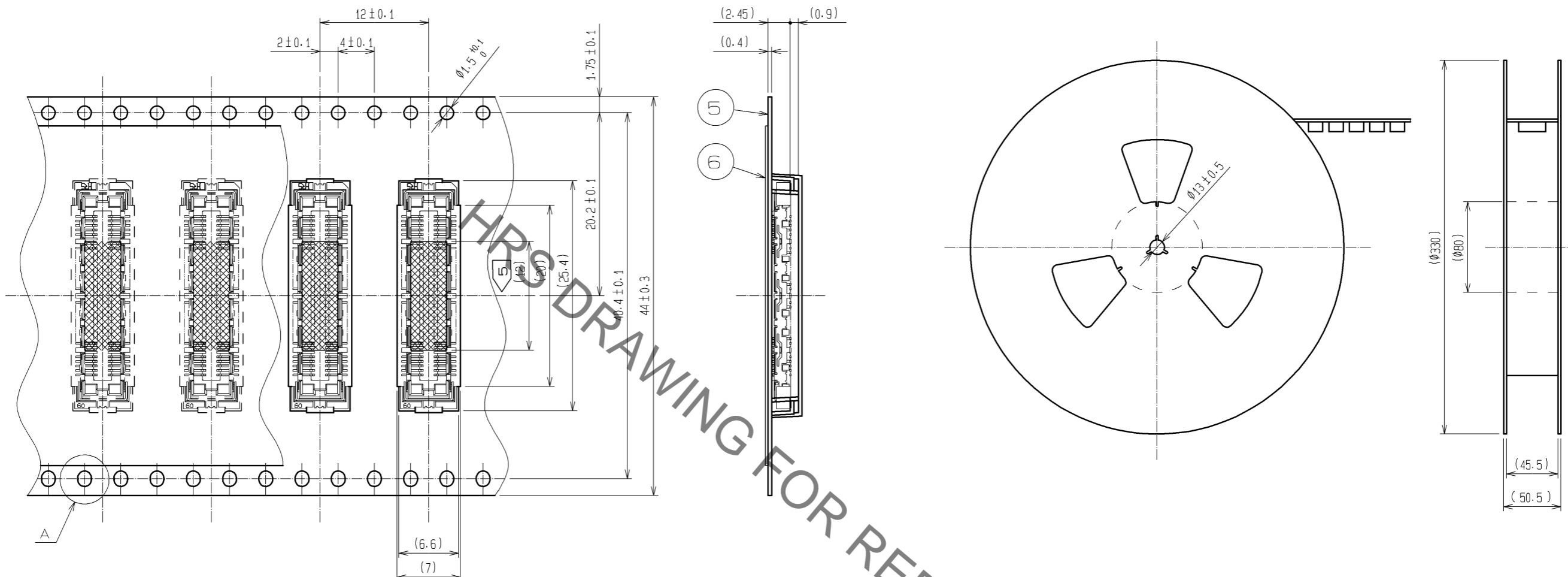
- NOTES
- ① 6 HATCHED PARTS: GROUND CIRCUIT.
  - ② 2 HATCHED PARTS: GROUND CIRCUIT.
  - ③ SMT LEAD-COPLANARITY: 0.1 MAX.
  - ④ THIS PRODUCT HAS NO POLARITY TO PATTERN FOR MOUNTING.
  - ⑤ MAKE SURE WIDTH OF PATTERN IS WITHIN THAT OF LAND .OR LEAD MAY TOUCH PATTERN. (THIS APPLIES TO HATCHED AREA.)
  - ⑥ TO BE EMBOSSED CARRIER TAPED AS SPECIFIED IN SHEET 2.
  - ⑦ THE DIMENSIONS IN PARENTHESES ARE FOR REFERENCE.

|                                      |                 |                                 |           |                             |                          |         |      |
|--------------------------------------|-----------------|---------------------------------|-----------|-----------------------------|--------------------------|---------|------|
| 3, 4                                 | PHOSPHOR BRONZE | TIN PLATING                     |           |                             |                          |         |      |
|                                      |                 | CONTACT AREA : GOLD 0.1μm min.  |           |                             |                          |         |      |
| 2                                    | PHOSPHOR BRONZE | LEAD AREA : GOLD FLASH          | 7         | POLYIMIDE                   | (TAPE FOR VACUUM PICKUP) |         |      |
|                                      |                 | UNDER PLATING : NICKEL 1μm min. | 6         | PET                         | TOP COVER TAPE           |         |      |
| 1                                    | LCP             | BEIGE UL94V-0                   | 5         | PS                          | EMBOSSED CARRIER TAPE    |         |      |
| NO.                                  | MATERIAL        | FINISH . REMARKS                | NO.       | MATERIAL                    | FINISH . REMARKS         |         |      |
| UNITS<br>mm                          |                 | SCALE<br>5 : 1                  | COUNT<br> | DESCRIPTION OF REVISIONS    | DESIGNED                 | CHECKED | DATE |
| <b>HRS</b> HIROSE ELECTRIC CO., LTD. |                 | APPROVED : HS. OKAWA            | 08.06.11  | DRAWING NO. EDC3-152636-22  |                          |         |      |
|                                      |                 | CHECKED : HT. YAMAGUCHI         | 08.06.11  | PART NO. FX11B-60S/6-SV(92) |                          |         |      |
|                                      |                 | DESIGNED : SY. KAMIGA           | 08.06.11  | CODE NO. CL573-0712-2-92    |                          |         |      |
|                                      |                 | DRAWN : HK. SUNADORI            | 08.06.11  |                             |                          | 1/2     |      |

Sep.1.2021 Copyright 2021 HIROSE ELECTRIC CO., LTD. All Rights Reserved.  
In case of consideration for using Automotive equipment / device which demand high reliability, kindly contact our sales window correspondents.

# DRAWING FOR PACKING(2:1)

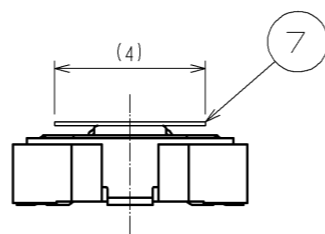
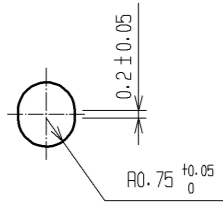
REELED DIMENSION(Free)



THE DIRECTION OF PULLING OUT

DETAIL FOR VACUUM PICKUP (5:1)

A (5:1)



- NOTES
- 1 1 REEL : 1000 CONNECTORS.
  - 2 MINIMUM 10 COMPARTMENTS FROM BOTH REEL ENDS REMAIN EMPTY.
  - 3 THIS PRODUCT HAS NO POLARITY TO TAPE AND REEL PACKAGING.
  - 4 THE DIMENSIONS IN PARENTHESES ARE FOR REFERENCE.
  - 5 REMOVE THE VACUUM PICKUP TAPE AFTER MOUNTING THE CONNECTOR.

|            |             |                    |
|------------|-------------|--------------------|
| <b>HRS</b> | DRAWING NO. | EDC3-152636-22     |
|            | PART NO.    | FX11B-60S/6-SV(92) |
|            | CODE NO.    | CL573-0712-2-92    |
|            |             | 2/2                |

# Mouser Electronics

Authorized Distributor

Click to View Pricing, Inventory, Delivery & Lifecycle Information:

[Hirose Electric:](#)

[FX11B-60S/6-SV\(92\)](#)