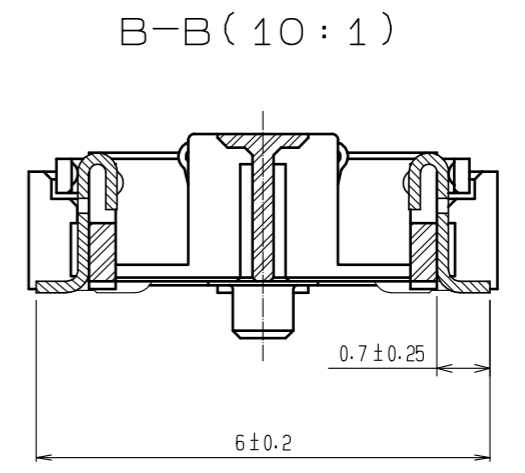
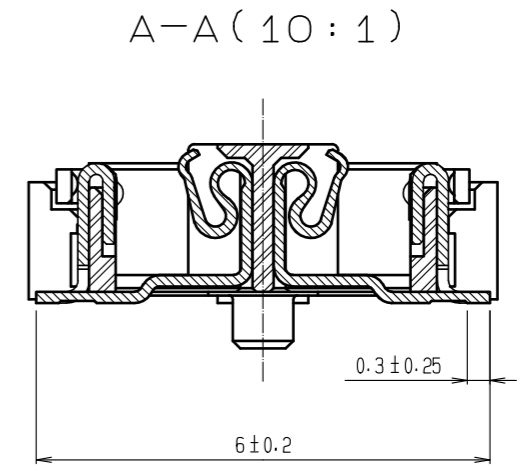
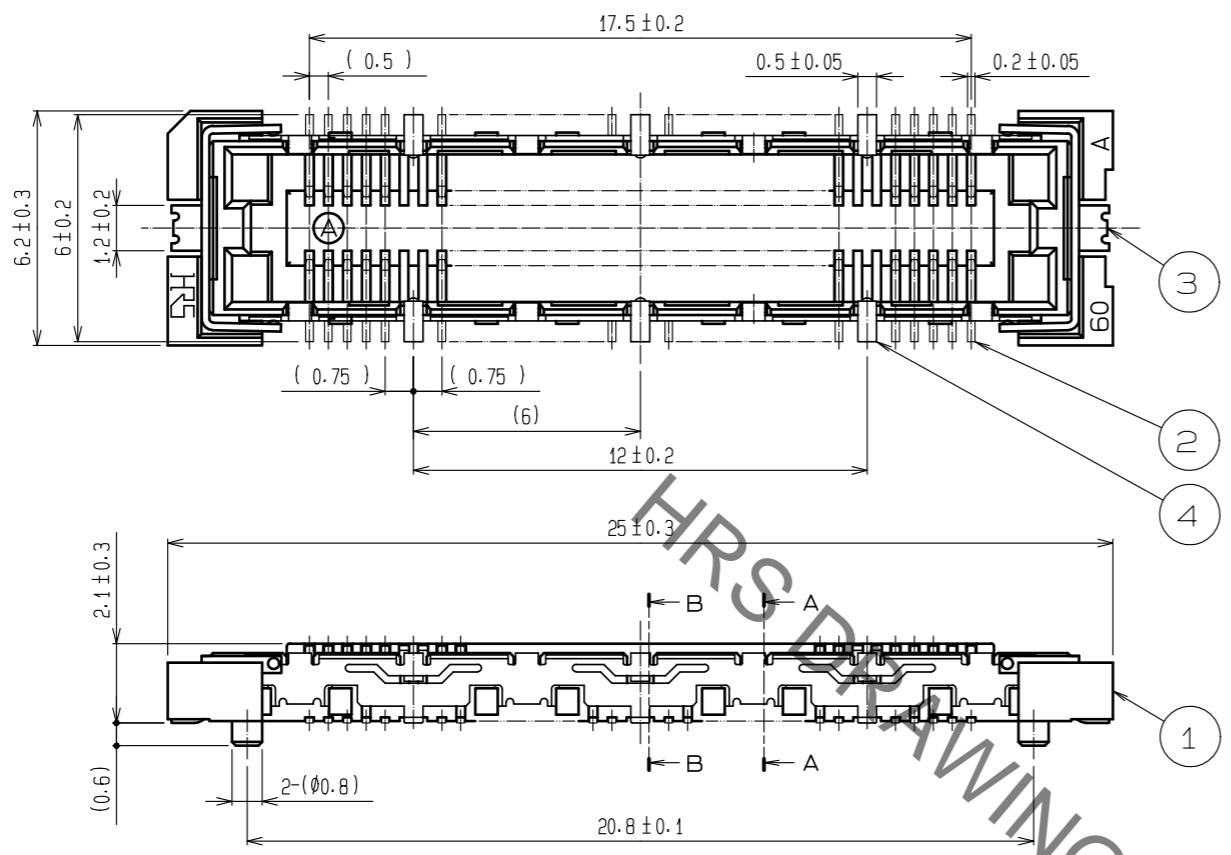
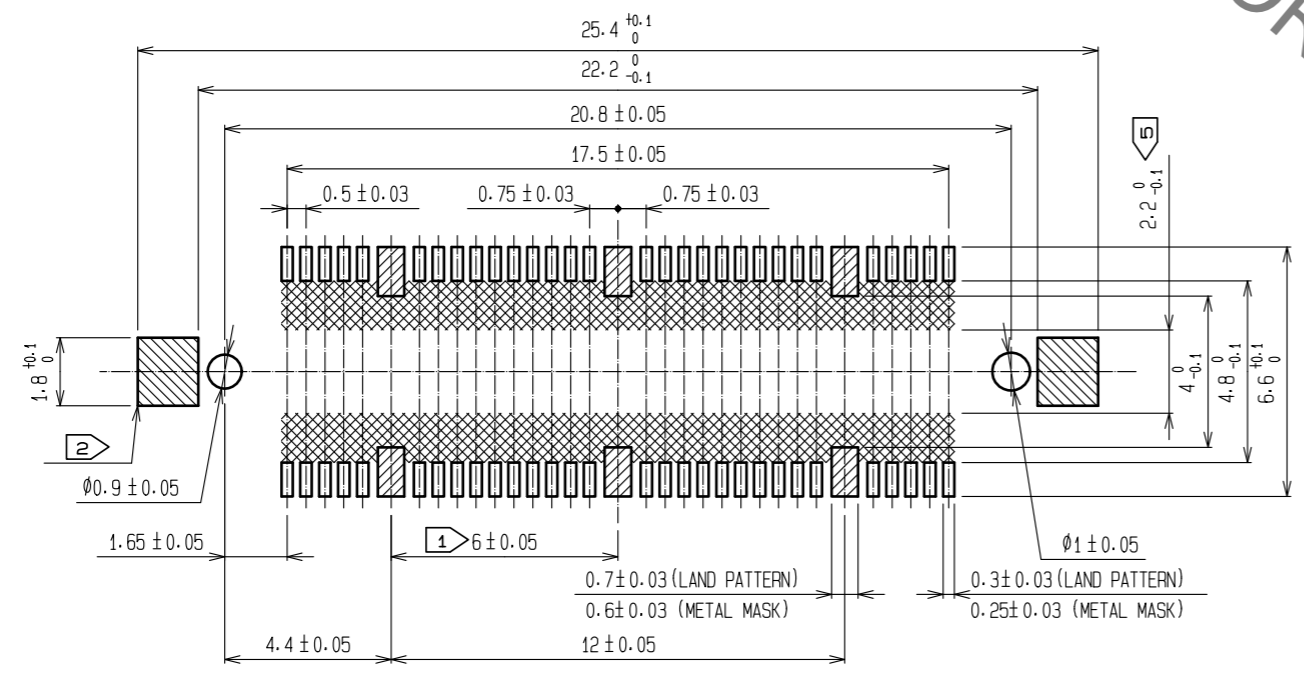


Sep.1.2021 Copyright 2021 HIROSE ELECTRIC CO., LTD. All Rights Reserved.
In case of consideration for using Automotive equipment / device which demand high reliability, kindly contact our sales window correspondents.



RECOMMENDED LAND PATTERN DIMENSION OF PCB

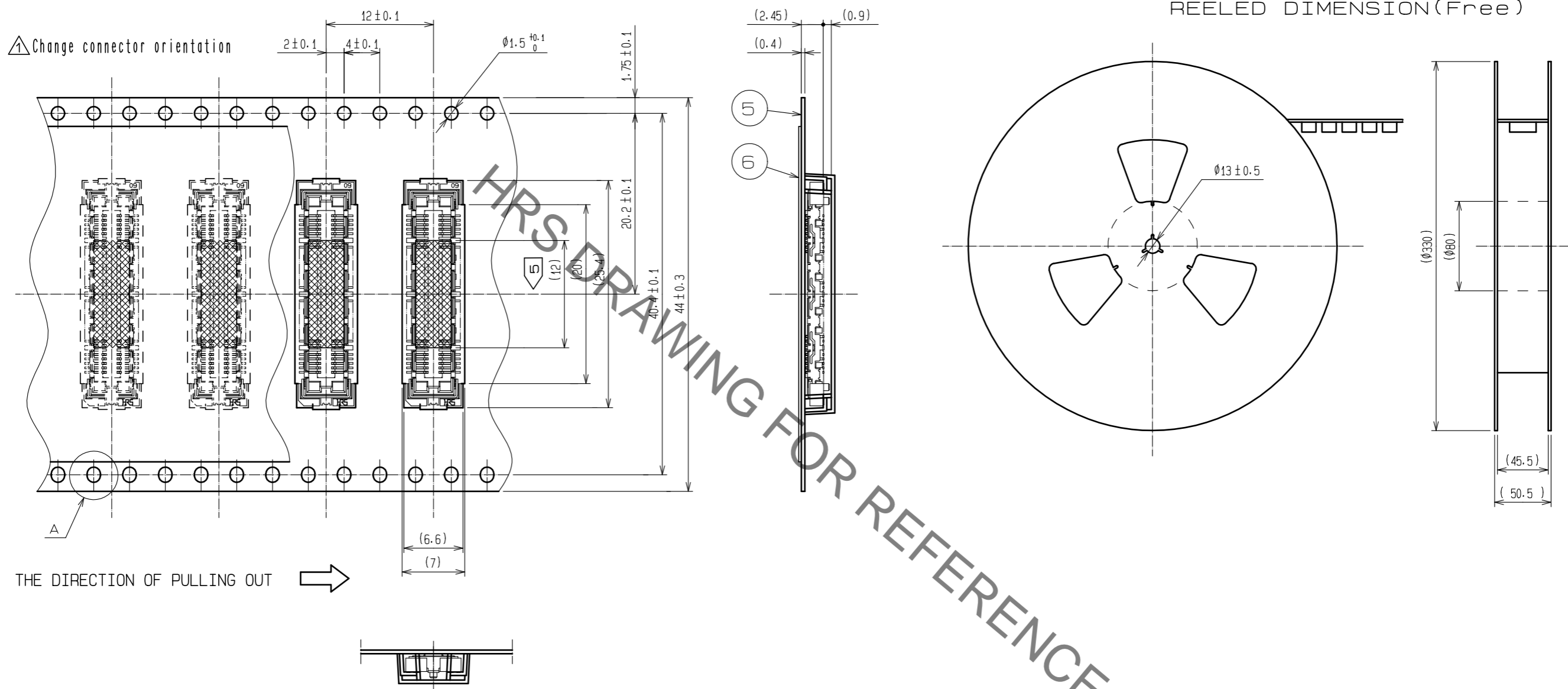


- NOTES
- 1 6 HATCHED PARTS: GROUND CIRCUIT.
 - 2 2 HATCHED PARTS: GROUND CIRCUIT.
 - 3 SMT LEAD-COPLANARITY: 0.1 MAX.
 - 4 THIS PRODUCT HAS NO POLARITY TO PATTERN FOR MOUNTING.
 - 5 MAKE SURE WIDTH OF PATTERN IS WITHIN THAT OF LAND. OR LEAD MAY TOUCH PATTERN. (THIS APPLIES TO HATCHED AREA.)
 - 6 TO BE EMBOSSED CARRIER TAPED AS SPECIFIED IN SHEET 2.
 - 7 THE DIMENSIONS IN PARENTHESES ARE FOR REFERENCE.

3	Phosphor bronze	Tin reflow plating 1μm MIN	7	Polyimide	Tape for vacuum pick up		
2	Copper alloy	Contact: Gold plating 0.1μm MIN	6	Polystyrene	Top cover tape		
		Lead : Gold plating 0.03μm MIN Under : Nickel plating 1μm MIN	5	Polystyrene	Embossed carrier tape		
1	LCP	Beige, UL94V-0	4	Phosphor bronze	Surface: Tin plating 1μm MIN Under : Nickel plating 1μm MIN		
NO.	MATERIAL	FINISH . REMARKS	NO.	MATERIAL	FINISH . REMARKS		
UNITS mm		SCALE 5:1	COUNT 1	DESCRIPTION OF REVISIONS DIS-F-00005925	DESIGNED MT. ITANO	CHECKED HT. YAMAGUCHI	DATE 20200306
HRS HIROSE ELECTRIC CO., LTD.		APPROVED : HS. OKAWA 20070622	DRAWING NO. EDC-152632-92-22				
		CHECKED : HS. OZAWA 20070622	PART NO. FX11A-60S/6-SV(92)				
		DESIGNED : KT. DOI 20070621	CODE NO. CL573-0702-9-92				
		DRAWN : TS. MIYAKI 20070621					

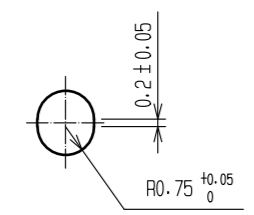
Sep.1.2021 Copyright 2021 HIROSE ELECTRIC CO., LTD. All Rights Reserved.
In case of consideration for using Automotive equipment / device which demand high reliability, kindly contact our sales window correspondents.

DRAWING FOR PACKING(2:1)

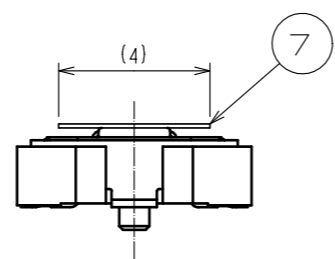


HRS DRAWING FOR REFERENCE

A (5:1)



DETAIL FOR VACUUM PICKUP (5:1)



- NOTES
- 1 1 REEL : 1000 CONNECTORS.
 - 2 MINIMUM 10 COMPARTMENTS FROM BOTH REEL ENDS REMAIN EMPTY.
 - 3 THIS PRODUCT HAS NO POLARITY TO TAPE AND REEL PACKAGING.
 - 4 THE DIMENSIONS IN PARENTHESES ARE FOR REFERENCE.
 - 5 REMOVE THE VACUUM PICKUP TAPE AFTER MOUNTING THE CONNECTOR.

HRS	DRAWING NO.	EDC-152632-92-22	2/2
	PART NO.	FX11A-60S/6-SV(92)	
	CODE NO.	CL573-0702-9-92	

Mouser Electronics

Authorized Distributor

Click to View Pricing, Inventory, Delivery & Lifecycle Information:

[Hirose Electric:](#)

[FX11A-60S/6-SV\(92\)](#)