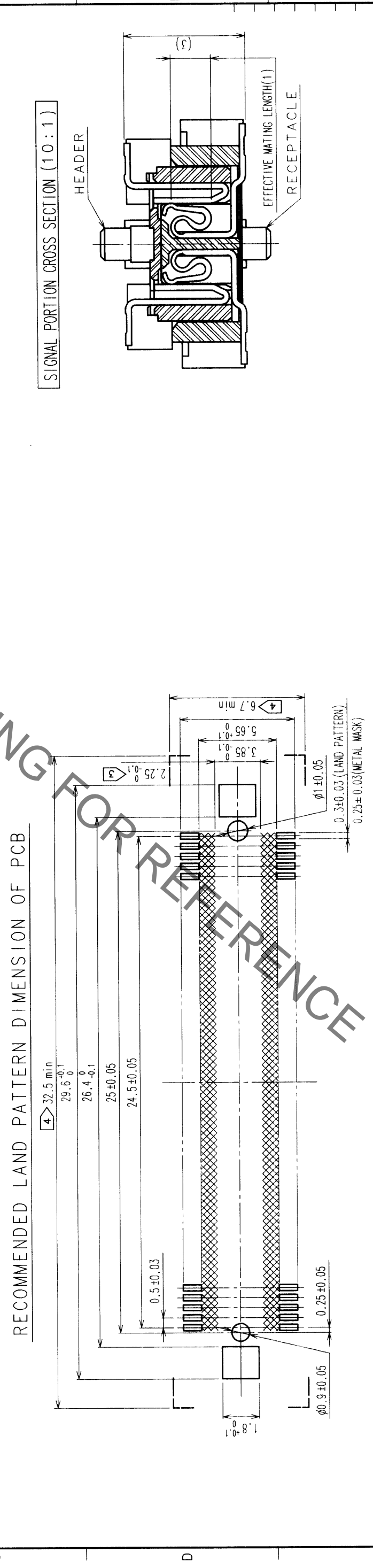
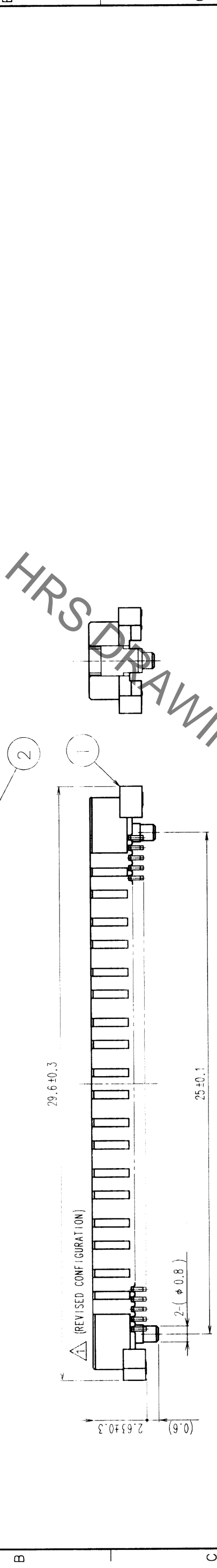


Sep.1.2021 Copyright 2021 HIROSE ELECTRIC CO., LTD. All Rights Reserved.
In case of consideration for using Automotive equipment / device which demand high reliability, kindly contact our sales window correspondents.

1	RE-F-06821	J.M.H.D	00.04.06		
2					
3					

COUNT DESCRIPTION OF REVISIONS	BY	CHKD	DATE	COUNT	DESCRIPTION OF REVISIONS	BY	CHKD	DATE
1	RE-F-06821	J.M.H.D	00.04.06					
2								
3								

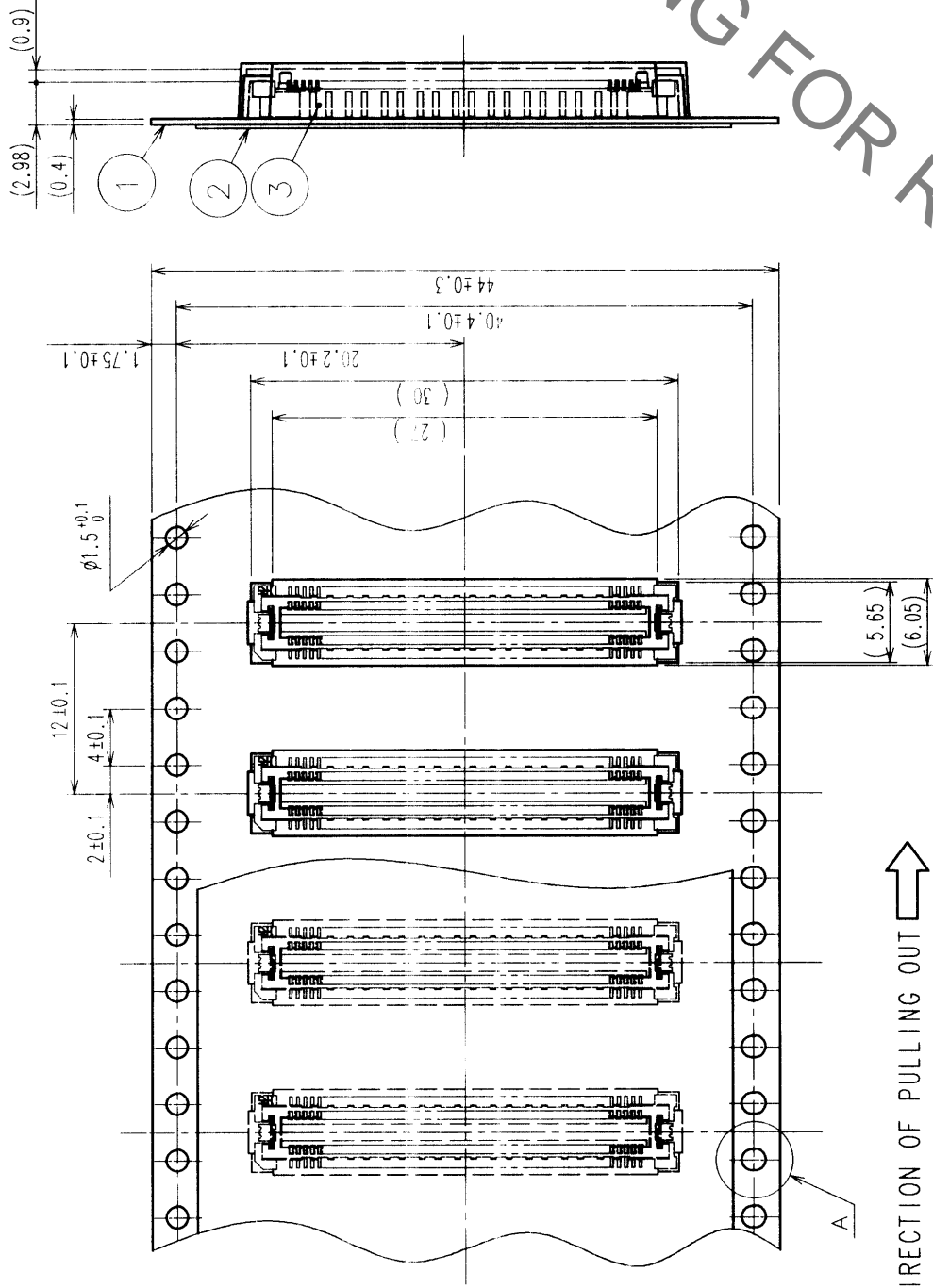


2	COPPER ALLOY	CONTACT AREA: GOLD (0.1µm) OVER NICKEL			
1	LCP	LEAD: GOLD FLASH OVER NICKEL			
NO.	MATERIAL	FINISH, REMARKS	NO.	MATERIAL	FINISH, REMARKS
1	PHOSPHOR BRONZE	TIN PLATED	3	PHOSPHOR BRONZE	TIN PLATED
CODE NO. (OLD)	CL		DRAWN	DESIGNED	CHECKED
			J.MATSUKAWA	J.MATSUKAWA	M.ISHIDA
			00.01.15	00.01.15	00.01.17
			00.01.17	00.01.17	00.01.17
DRAWING NO.	EDC3-152623-01		PART NO.	FX11A-100P-SVO.5(21)	
SCALE	5 : 1		CODE NO.	CL573-0643-1-21	
UNITS	mm				

NOTES
1 SMT LEAD-COPLANARITY: 0.1 MAX.
2 THIS PRODUCT HAS NO POLARITY TO PATTERN FOR MOUNTING.
3 MAKE SURE WIDTH OF PATTERN IS WITHIN THAT OF LAND, OR LEAD MAY TOUCH PATTERN. (THIS APPLIES TO HATCHED AREA.)
4 DO NOT MOUNT OTHER DEVICES ONTO [] AREA, OR MATING PAIR CANNOT BE MATED.
5 TO BE EMBOSSED CARRIER TAPED AS SPECIFIED IN SHEET 2.

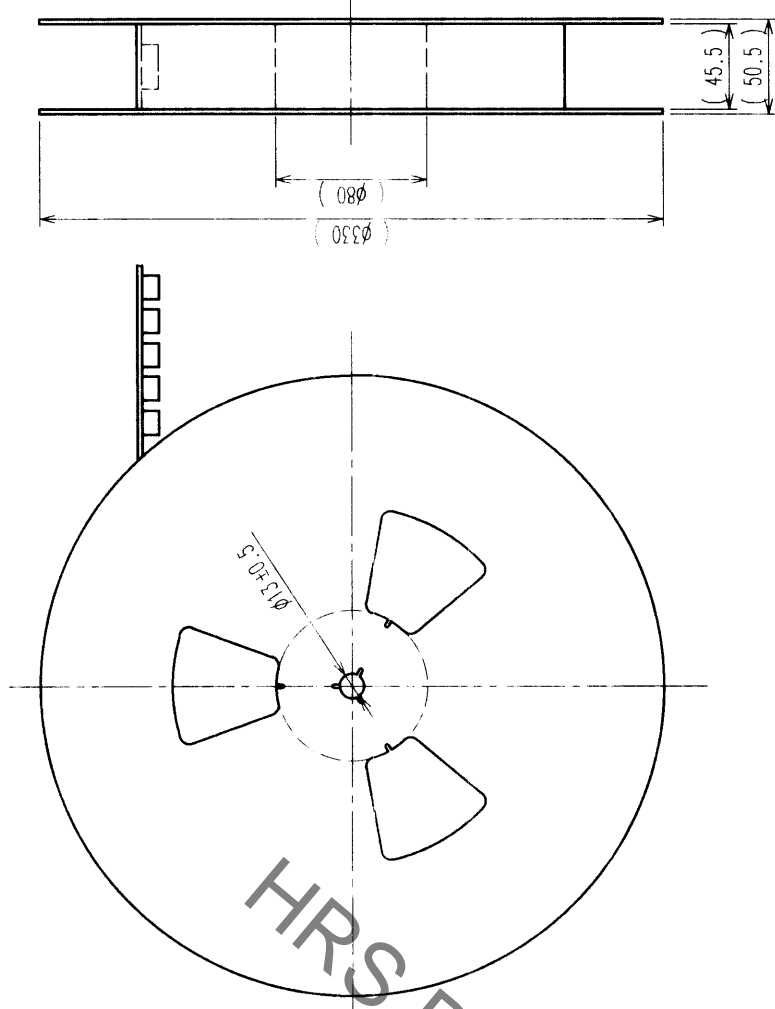
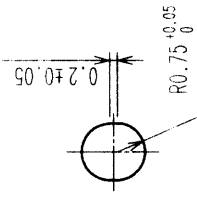
TO	
PCK	

REELED DIMENSION (FREE)



THE DIRECTION OF PULLING OUT

A (5 : 1)



HRS DRAWING FOR REFERENCE

- NOTES
- 1 REEL: 1000 CONNECTORS.
 - 2 MINIMUM 10 COMPARTMENTS FROM BOTH REEL ENDS REMAIN EMPTY.
 - 3 THIS PRODUCT HAS NO POLARITY TO TAPE AND REEL PACKAGING.

COUNT	DESCRIPTION OF REVISIONS	BY	CHKD	DATE	COUNT	DESCRIPTION OF REVISIONS	BY	CHKD	DATE
△					△				
△					△				
△					△				

2	PET	TOP COVER TAPE	3	(CONNECTOR)	FINISH, REMARKS	FINISH, REMARKS		
1	PS	EMBOSSED CARRIER TAPE	3	(CONNECTOR)				
NO.	MATERIAL	FINISH, REMARKS	NO.	MATERIAL	DESIGNED	CHECKED	APPROVED	RELEASED
					J. MATSUKAWA	M. ISHIDA	Y. YOSHIMURA	
CODE NO. (OLD)		DRAWING NO.		PART NO.				
CL		EDC3-152623-01		FX11A-100P-SV0.5(21)				
DRAWING FOR PACKING				DRAWN		DESIGNED		CHECKED
				J. MATSUKAWA		M. ISHIDA		Y. YOSHIMURA
				00.01.15		00.01.15		00.01.17
SCALE		UNITS		DRAWING NO.		PART NO.		
2 : 1		mm		EDC3-152623-01		FX11A-100P-SV0.5(21)		
				HRS		HIROSE ELECTRIC CO., LTD		CL573-0643-1-21

TO	
PCK	

Mouser Electronics

Authorized Distributor

Click to View Pricing, Inventory, Delivery & Lifecycle Information:

[Hirose Electric:](#)

[FX11A-100P-SV0.5\(21\)](#)