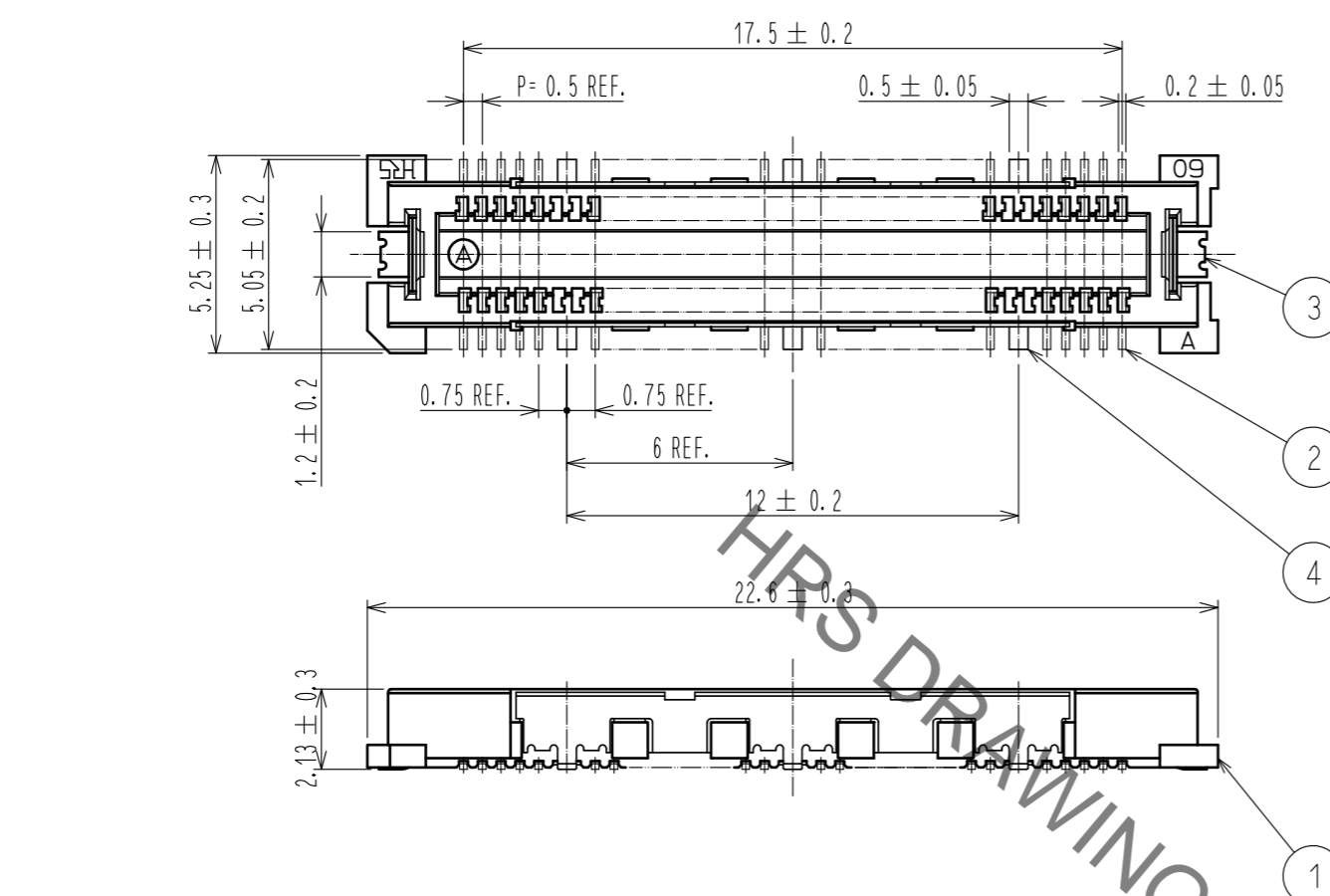
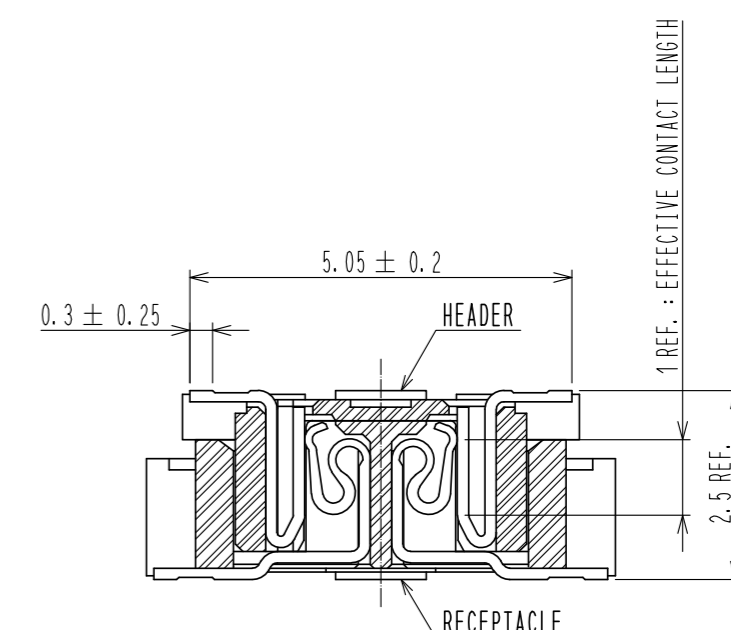


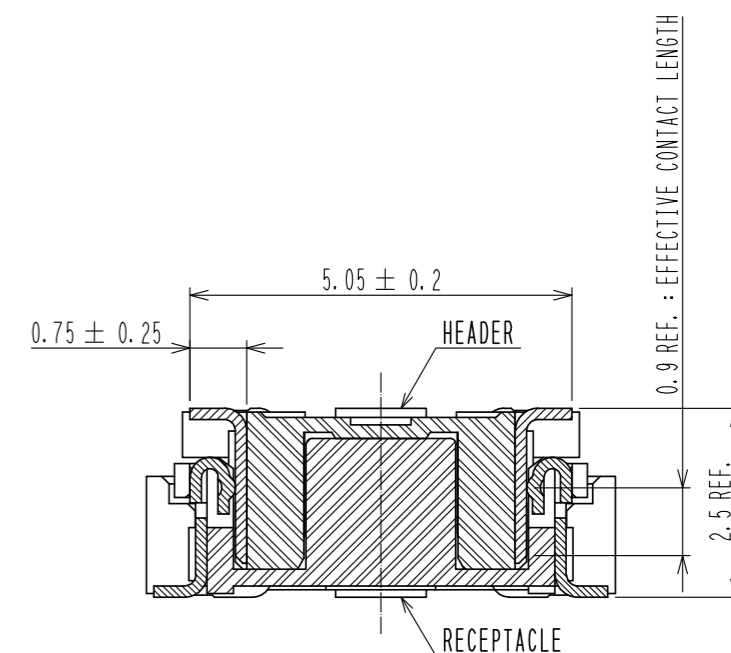
Sep.1.2021 Copyright 2021 HIROSE ELECTRIC CO., LTD. All Rights Reserved.
In case of consideration for using Automotive equipment / device which demand high reliability, kindly contact our sales window correspondents.



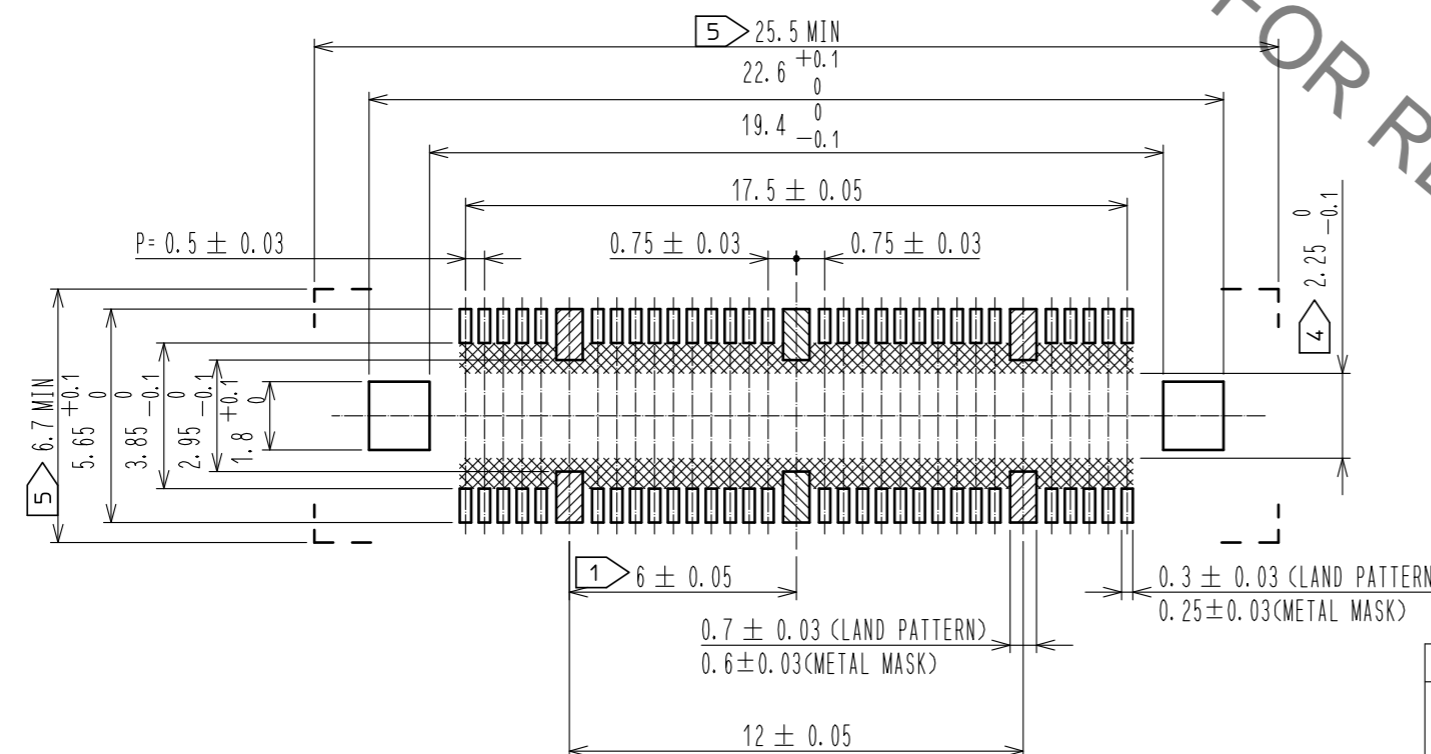
SIGNAL PORTION CROSS SECTION (10:1)



GROUND PORTION CROSS SECTION (10:1)



RECOMMENDED LAND PATTERN DIMENSION OF PCB



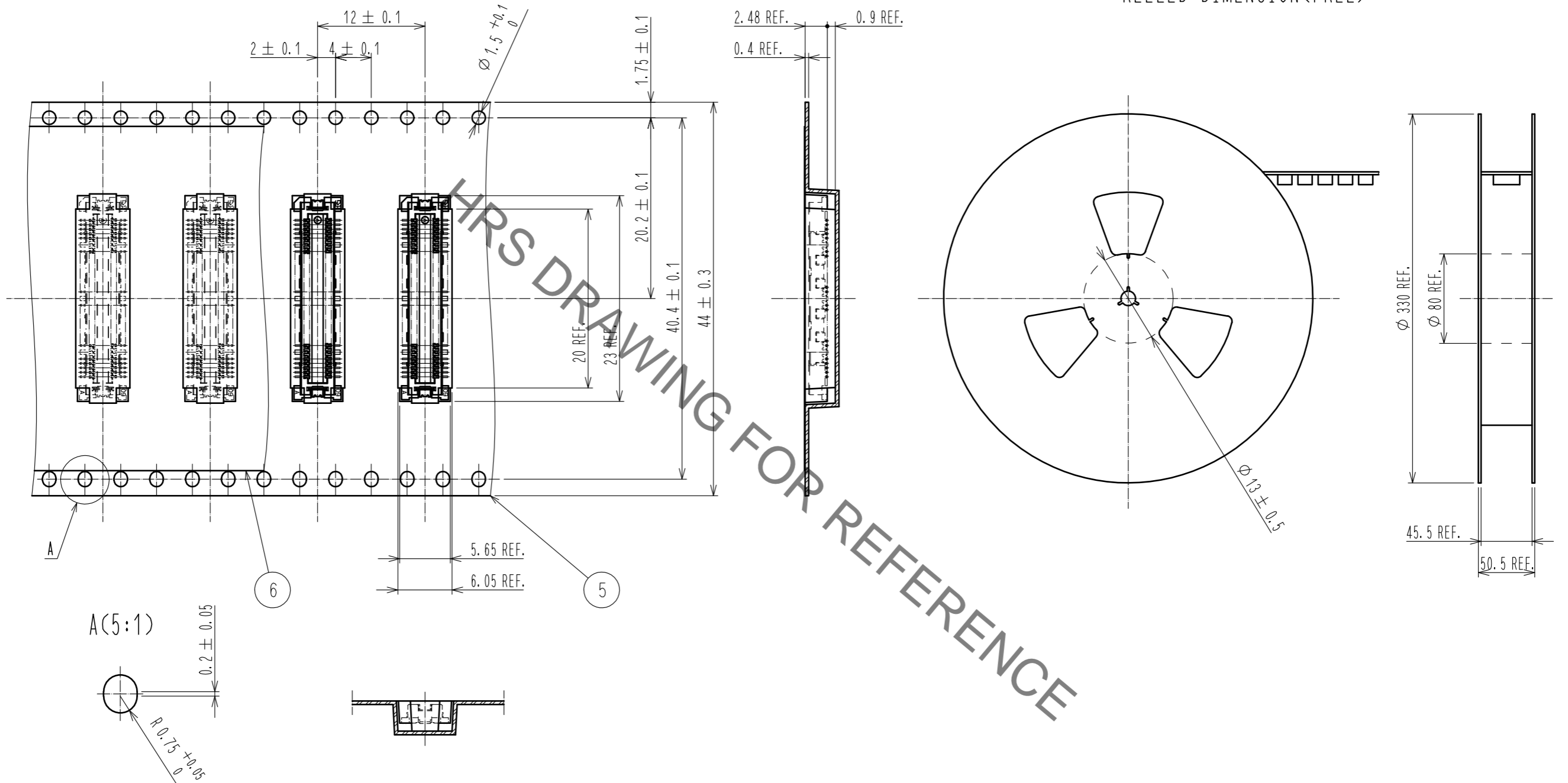
- NOTES
- 1 6 HATCHED PARTS:GROUND CIRCUIT.
 - 2. SMT LEAD-COPLANARITY:0.1 MAX.
 - 3. THIS PRODUCT HAS NO POLARITY TO PATTERN FOR MOUNTING.
 - 4 MAKE SURE WIDTH OF PATTERN IS WITHIN THAT OF LAND .OR LEAD MAY TOUCH PATTERN. (THIS APPLIES TO HATCHED AREA.)
 - 5 DO NOT MOUNT OTHER DEVICES ONTO AREA ,OR MATING PAIR CANNOT BE MATED.

3	PHOSPHOR BRONZE	TIN REFLOW PLATING 1μm MIN	6	POLYESTER	COVER TAPE			
2	COPPER ALLOY	CONTACT: GOLG PLATING 0.1μm MIN	5	POLYSTYRENE	EMBOSSED TAPE			
		LEAD : GOLG PLATING 0.03μm MIN UNDER :NICKEL PLATING 1μm MIN	4	PHOSPHOR BRONZE	OVER : TIN PLATING 1μm MIN UNDER:NICKEL PLATING 1μm MIN			
1	LCP	BEIGE, UL94V-0						
NO.	MATERIAL	FINISH . REMARKS	NO.	MATERIAL	FINISH . REMARKS			
UNITS mm		SCALE 5:1	COUNT 	DESCRIPTION OF REVISIONS		DESIGNED	CHECKED	DATE
HRS HIROSE ELECTRIC CO., LTD.		APPROVED :NH. NAKATA 16.05.17	DRAWING NO. EDC-152601-91-00					
		CHECKED :HT. YAMAGUCHI 16.05.17	PART NO. FX11B-60P/6-SV(91)					
		DESIGNED :MT. ITANO 16.05.17	CODE NO. CL573-0512-3-91					
		DRAWN :MT. ITANO 16.05.17						

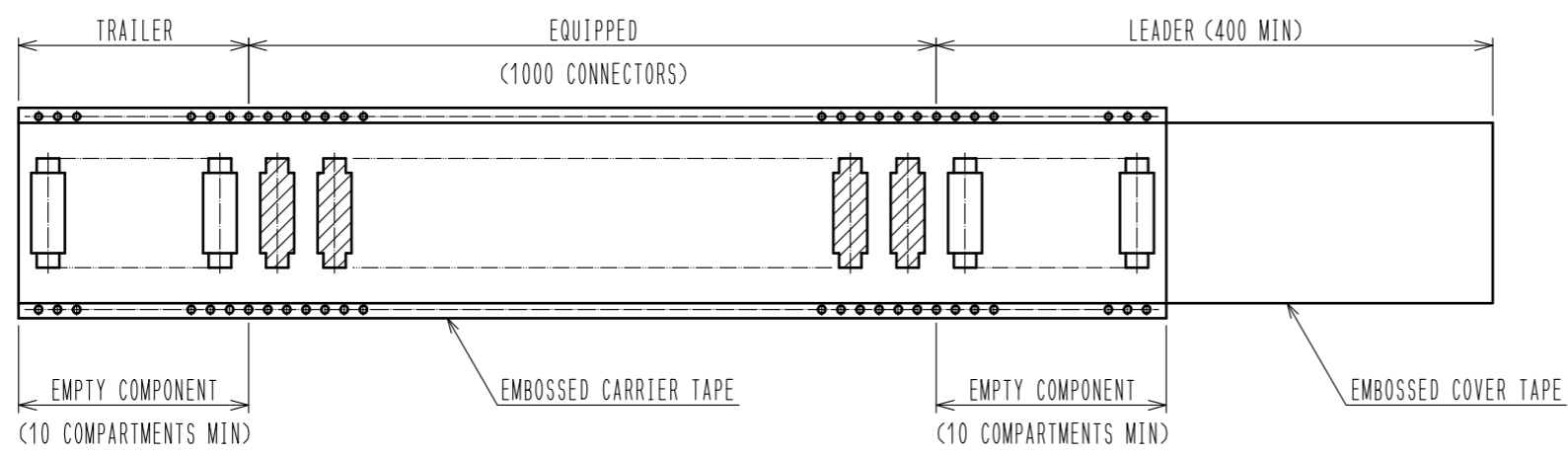
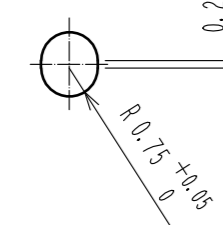
DRAWING FOR PACKING(2:1)

THE DIRECTION OF PULLING OUT 

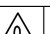
REELED DIMENSION(FREE)



A(5:1)



- NOTES
 6. 1 REEL:1000 CONNECTORS.
 7. THIS PRODUCT HAS NO POLARITY TO TAPE AND REEL PACKAGING.

HRS	DRAWING NO.	EDC-152601-91-00
	PART NO.	FX11B-60P/6-SV(91)
	CODE NO.	CL573-0512-3-91
		 2/2

In case of consideration for using Automotive equipment / device which demand high reliability, kindly contact our sales window correspondents.

Mouser Electronics

Authorized Distributor

Click to View Pricing, Inventory, Delivery & Lifecycle Information:

[Hirose Electric:](#)

[FX11B-60P/6-SV\(91\)](#)