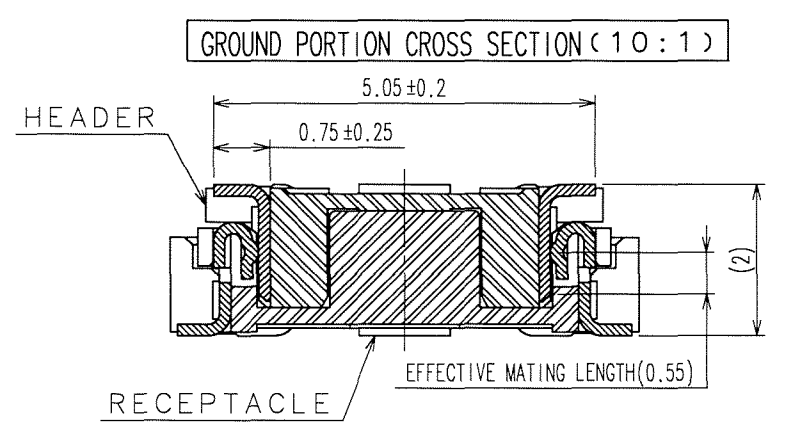
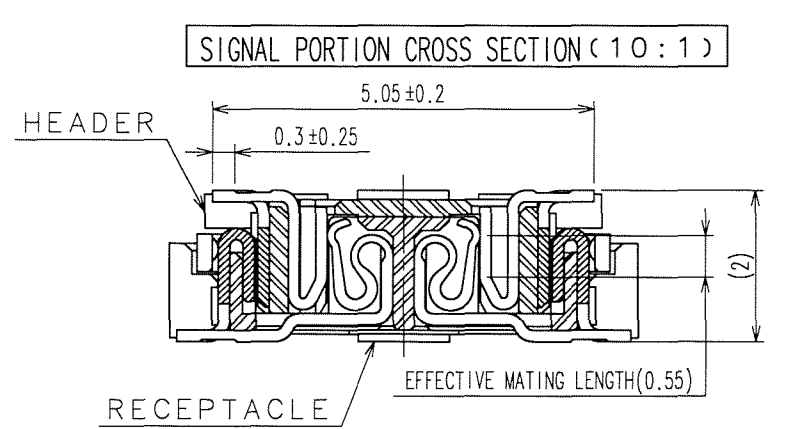
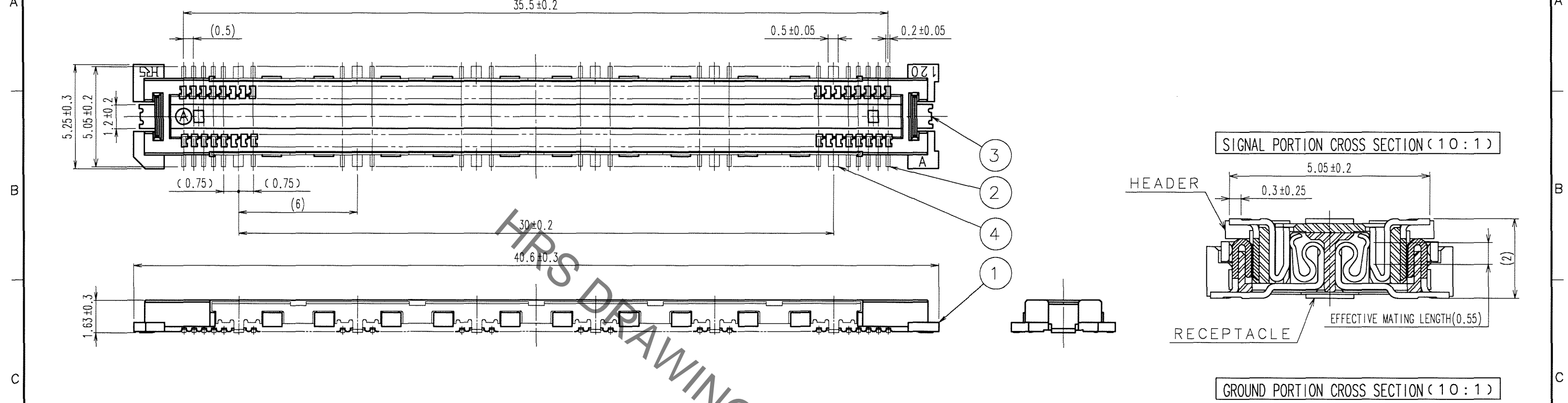
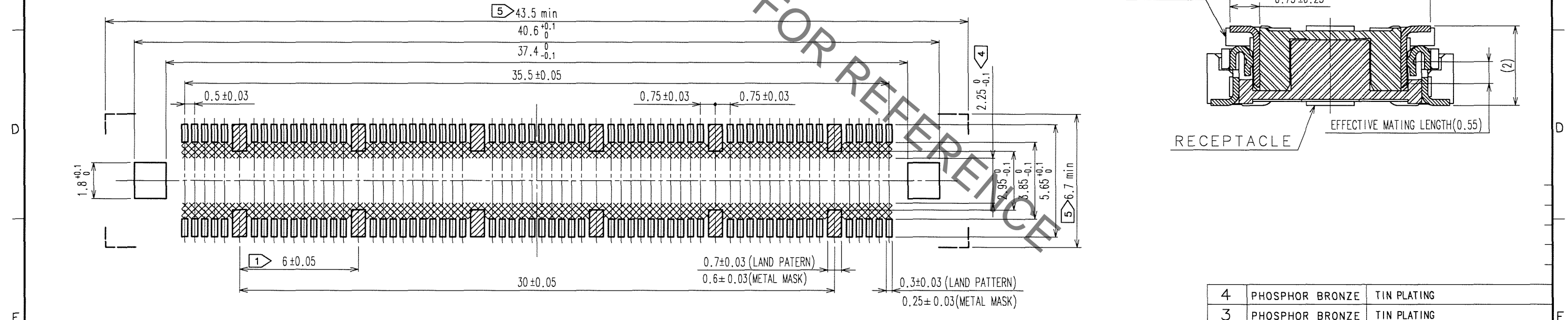


Sep.1.2021 Copyright 2021 HIROSE ELECTRIC CO., LTD. All Rights Reserved.  
In case of consideration for using Automotive equipment / device which demand high reliability, kindly contact our sales window correspondents.

COUNT DESCRIPTION OF REVISIONS BY CHKD DATE				COUNT DESCRIPTION OF REVISIONS BY CHKD DATE			



RECOMMENDED LAND PATTERN DIMENSION OF PCB



4	PHOSPHOR BRONZE	TIN PLATING
3	PHOSPHOR BRONZE	TIN PLATING
2	COPPER ALLOY	CONTACT AREA : GOLD 0.1μm min.
		LEAD AREA : GOLD FLASH
		UNDER PLATING : NICKEL 1μm min.

1	LCP	BEIGE UL94V-0
NO.	MATERIAL	FINISH, REMARKS

CODE NO. (OLD) CL	DRAWN S.KAMIGA 06.04.24	DESIGNED H. Nakamura 06.04.26	CHECKED H. Ogawa 06.04.27	APPROVED H. Okawa 06.04.27	RELEASED
DRAWING NO. EDC3-152099-25		PART NO. FX11LB-120P/12-SV(71)			
SCALE 5 : 1	UNITS mm		CODE NO. CL573-0015-9-71		1/1

- NOTES
- 12 HATCHED PARTS:GROUND CIRCUIT.
  - SMT LEAD-COPLANARITY:0.1 MAX.
  - THIS PRODUCT HAS NO POLARITY TO PATTERN FOR MOUNTING.
  - MAKE SURE WIDTH OF PATTERN IS WITHIN THAT OF LAND ,OR LEAD MAY TOUCH PATTERN.(THIS APPLIES TO HATCHED AREA.)
  - DO NOT MOUNT OTHER DEVICES ONTO AREA ,OR MATING PAIR CANNOT BE MATED.
  - THE DIMENSIONS IN PARENTHESES ARE FOR REFERENCE.

TO PCK

# Mouser Electronics

Authorized Distributor

Click to View Pricing, Inventory, Delivery & Lifecycle Information:

[Hirose Electric:](#)

[FX11LB-120P/12-SV\(71\)](#)