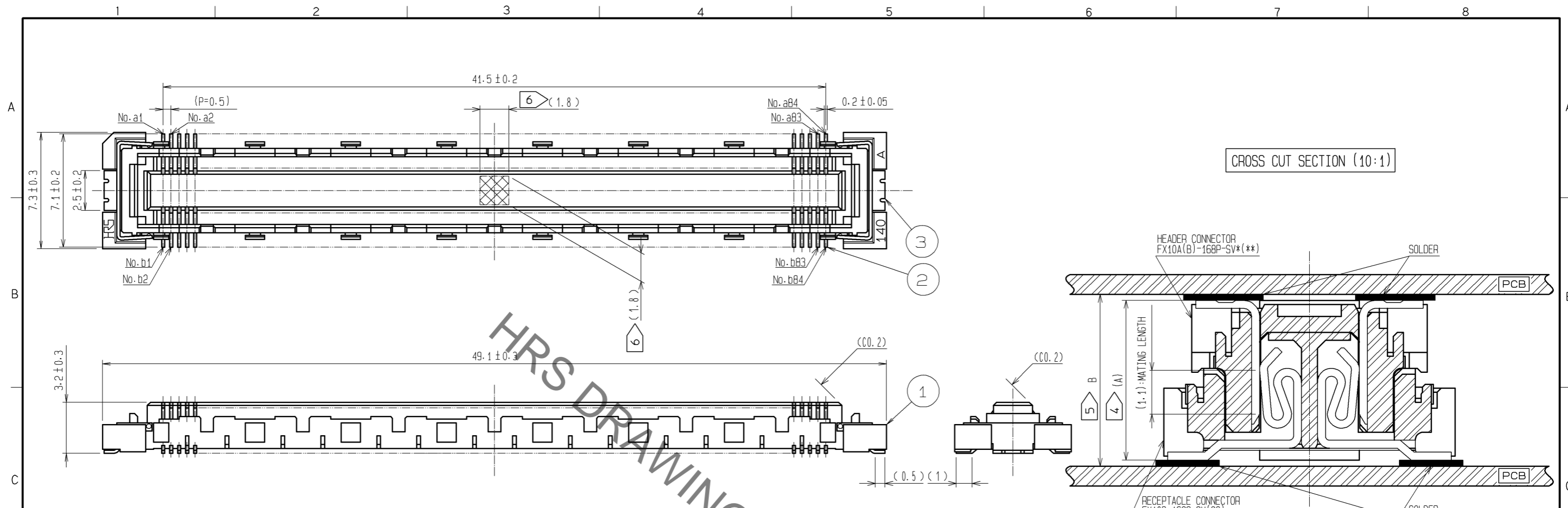
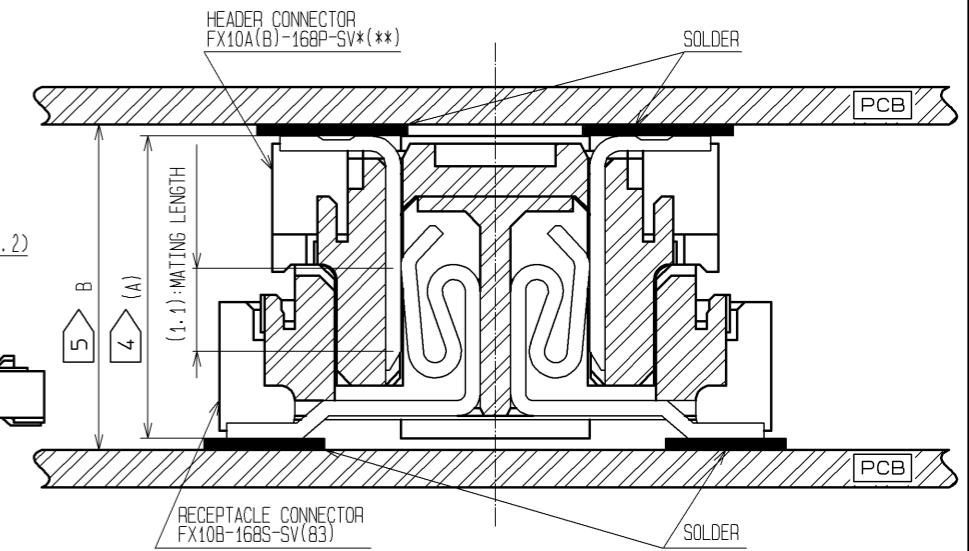


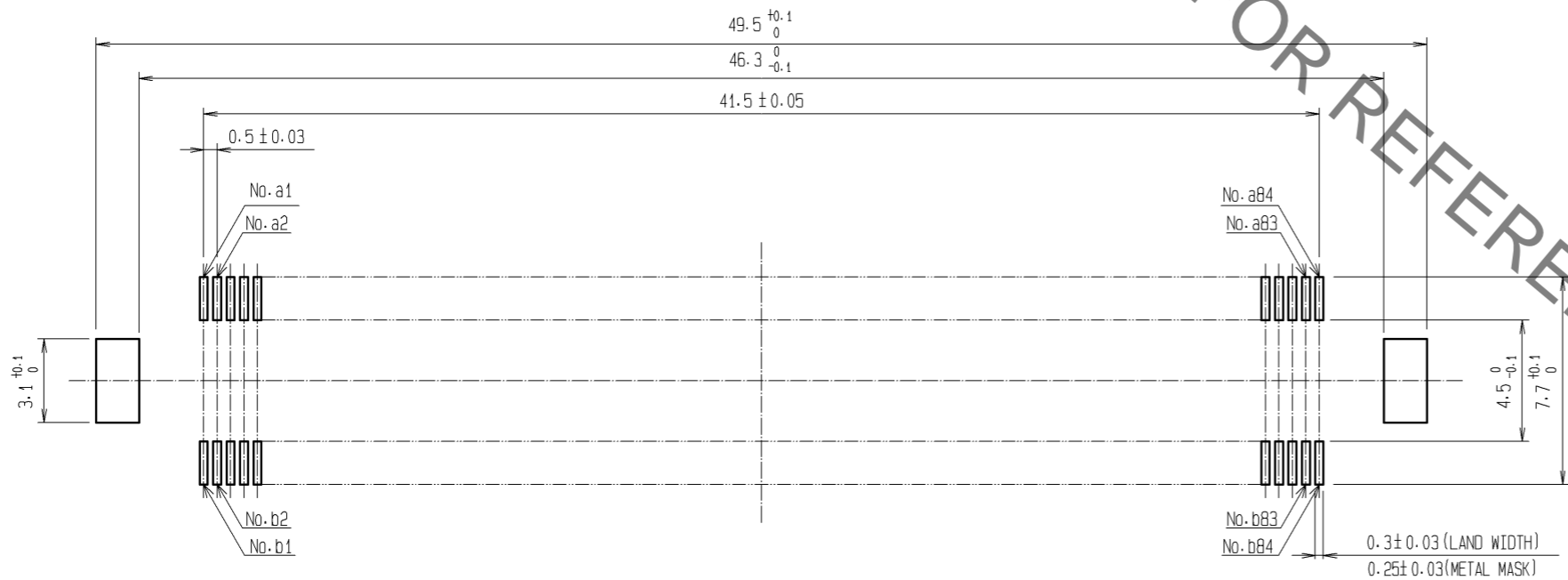
Sep.1.2021 Copyright 2021 HIROSE ELECTRIC CO., LTD. All Rights Reserved.
In case of consideration for using Automotive equipment / device which demand high reliability, kindly contact our sales window correspondents.



CROSS CUT SECTION (10:1)



RECOMMENDED LAND PATTERN DIMENSION OF PCB
(RECOMMENDED METAL MASK THICKNESS: 0.15mm)



△ STACKING HEIGHT

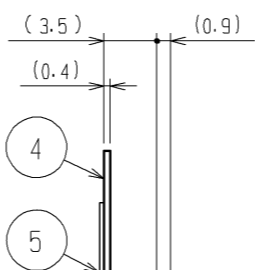
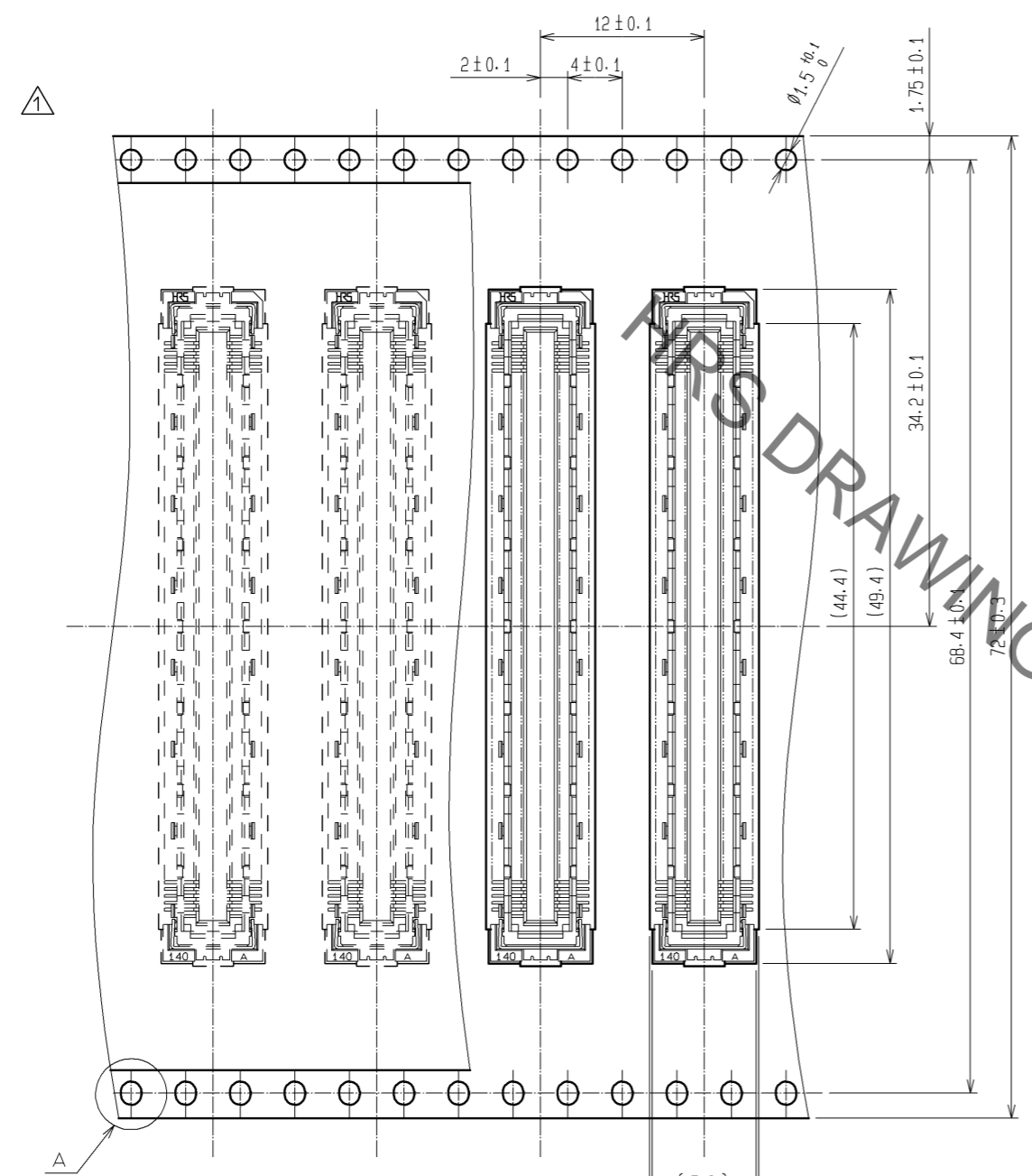
| | FX10B-168S-SV(83) | |
|-----------------------|-------------------|-------------|
| | 4 > (A) | 5 > B |
| FX10A(B)-168P-SV(**) | 4 | 4.3 ± 0.127 |
| FX10A(B)-168P-SV1(**) | 5 | 5.3 ± 0.127 |
| FX10A(B)-168P-SV2(**) | 6 | 6.0 ± 0.127 |
| FX10A(B)-168P-SV3(**) | 7 | 7.0 ± 0.127 |
| FX10A(B)-168P-SV4(**) | 8 | 8.0 ± 0.127 |

- NOTES
- 1 SMT LEAD-COPLANARITY: 0.1 MAX.
 - 2 THIS PRODUCT HAS NO POLARITY TO PATTERN FOR MOUNTING.
 - 3 THE DIMENSIONS IN PARENTHESES ARE FOR REFERENCE.
 - 4 STACKING HEIGHT FROM LEAD TO LEAD(REFERENCE DIMENSIONS)
 - 5 BOARD DISTANCE
 - 6 AREA IS VACUUM PICKUP AREA FOR REFERENCE.
 - 7 EMBOSS CARRIER TAPE PACKAGE IS APPLIED ON THIS PRODUCT. PLEASE REFER TO THE SHEET 2/2 FOR THE RETAILS.

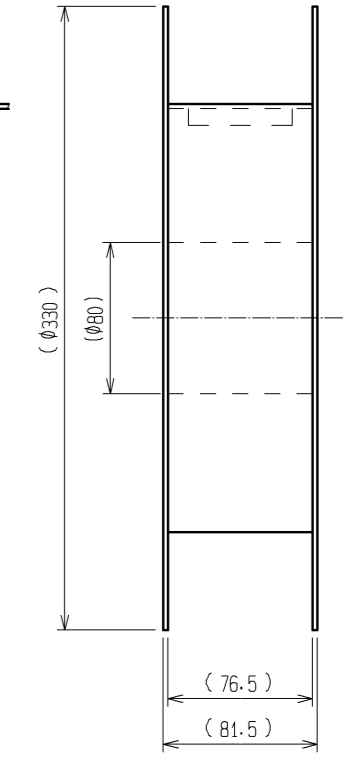
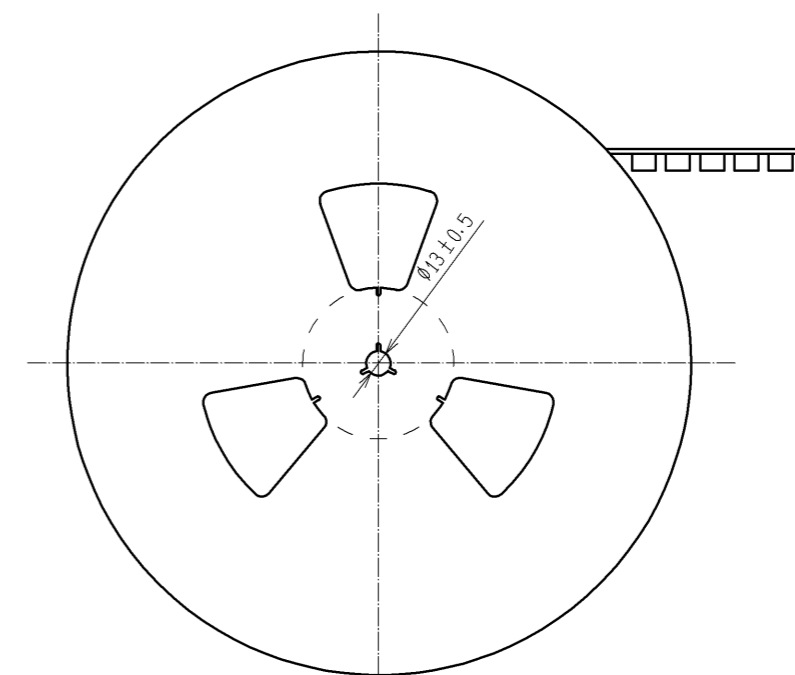
| 2 | PHOSPHOR BRONZE | CONTACT AREA: GOLD 0.76µm min. | 5 | PET | TOP COVER TAPE | | | |
|--------------------------------------|-----------------|----------------------------------|----------|--------------------------|--|-------------------|---------------|----------|
| | | LEAD AREA: GOLD 0.03µm min. | 4 | PS | EMBOSSED CARRIER TAPE | | | |
| | | UNDER PLATING: NICKEL 1.3µm min. | 3 | PHOSPHOR BRONZE | SURFACE AREA: GOLD 0.03µm min. UNDER PLATING: NICKEL 1.3µm min. | | | |
| 1 | LCP | BEIGE UL94V-0 | | | | | | |
| NO. | MATERIAL | FINISH . REMARKS | NO. | MATERIAL | FINISH . REMARKS | | | |
| UNITS | | SCALE | COUNT | DESCRIPTION OF REVISIONS | | DESIGNED | CHECKED | DATE |
| mm | | 4 : 1 | 3 | DIS-F-006595 | | Y.J. ASAO | HT. YAMAGUCHI | 13.01.10 |
| HRS HIROSE ELECTRIC CO., LTD. | | APPROVED : HS. OKAWA | 10.11.22 | DRAWING NO. | | EDC3-151991-23 | | |
| | | CHECKED : HT. YAMAGUCHI | 10.11.22 | PART NO. | | FX10B-168S-SV(83) | | |
| | | DESIGNED : AH. EDASHIGE | 10.11.19 | CODE NO. | | CL570-0254-0-83 | | |
| | | DRAWN : HK. SUNADORI | 10.11.19 | | | | | |

Sep.1.2021 Copyright 2021 HIROSE ELECTRIC CO., LTD. All Rights Reserved.
 In case of consideration for using Automotive equipment / device which demand high reliability, kindly contact our sales window correspondents.

DRAWING FOR PACKING(2:1)

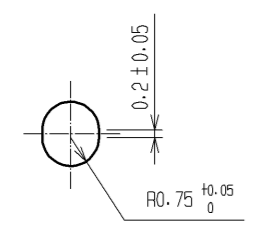


REELED DIMENSION(FREE)



THE DIRECTION OF PULLING OUT

A (5:1)



- NOTES 1 1REEL:1000 CONNECTORS.
 2 MINIMUM 10 COMPARTMENTS FROM BOTH REEL ENDS REMAIN EMPTY.
 3 THIS PRODUCT HAS NO POLARITY TO TAPE AND REEL PACKAGING.
 4 THE DIMENSIONS IN PARENTHESES ARE FOR REFERENCE.

| | | |
|------------|-------------|-------------------|
| HRS | DRAWING NO. | EDC3-151991-23 |
| | PART NO. | FX10B-168S-SV(83) |
| | CODE NO. | CL570-0254-0-83 |
| | | 2/2 |

Mouser Electronics

Authorized Distributor

Click to View Pricing, Inventory, Delivery & Lifecycle Information:

[Hirose Electric:](#)

[FX10B-168S-SV\(83\)](#)