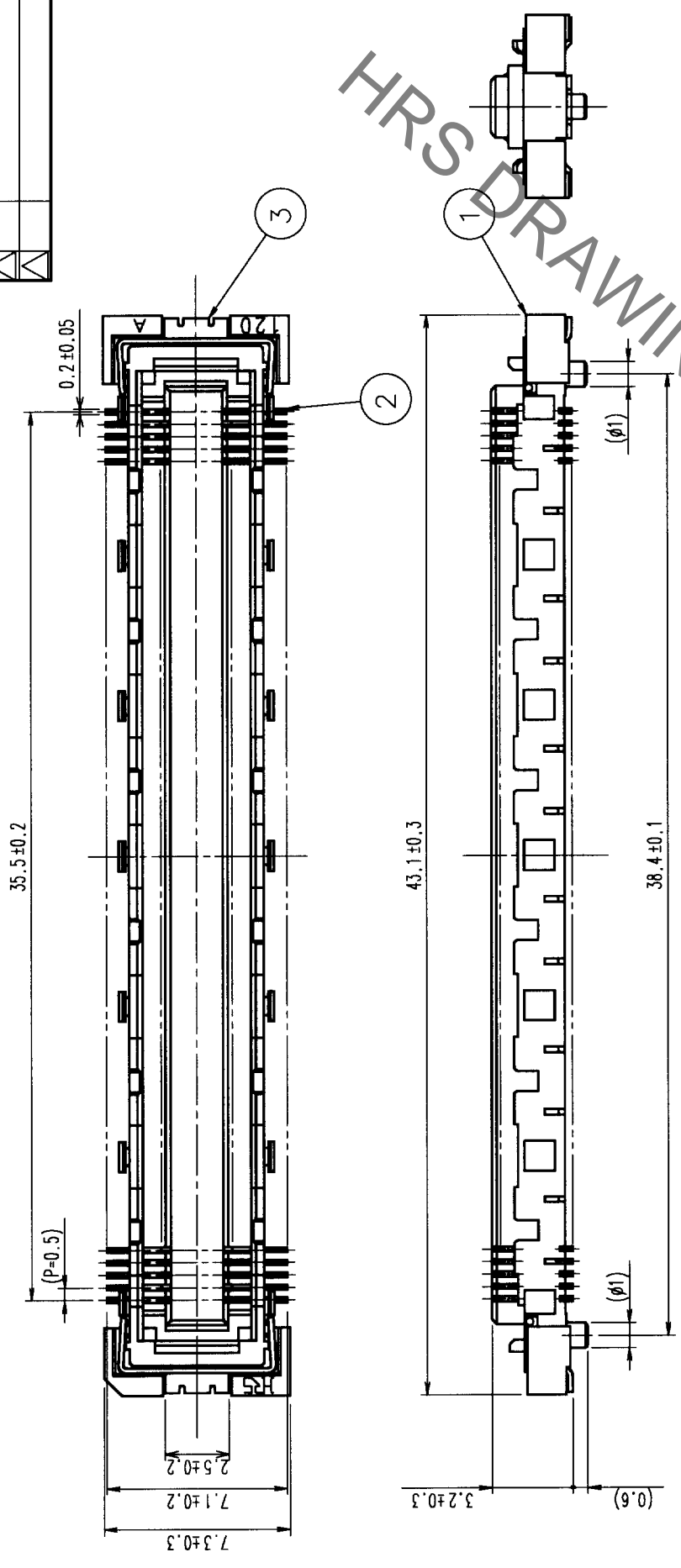
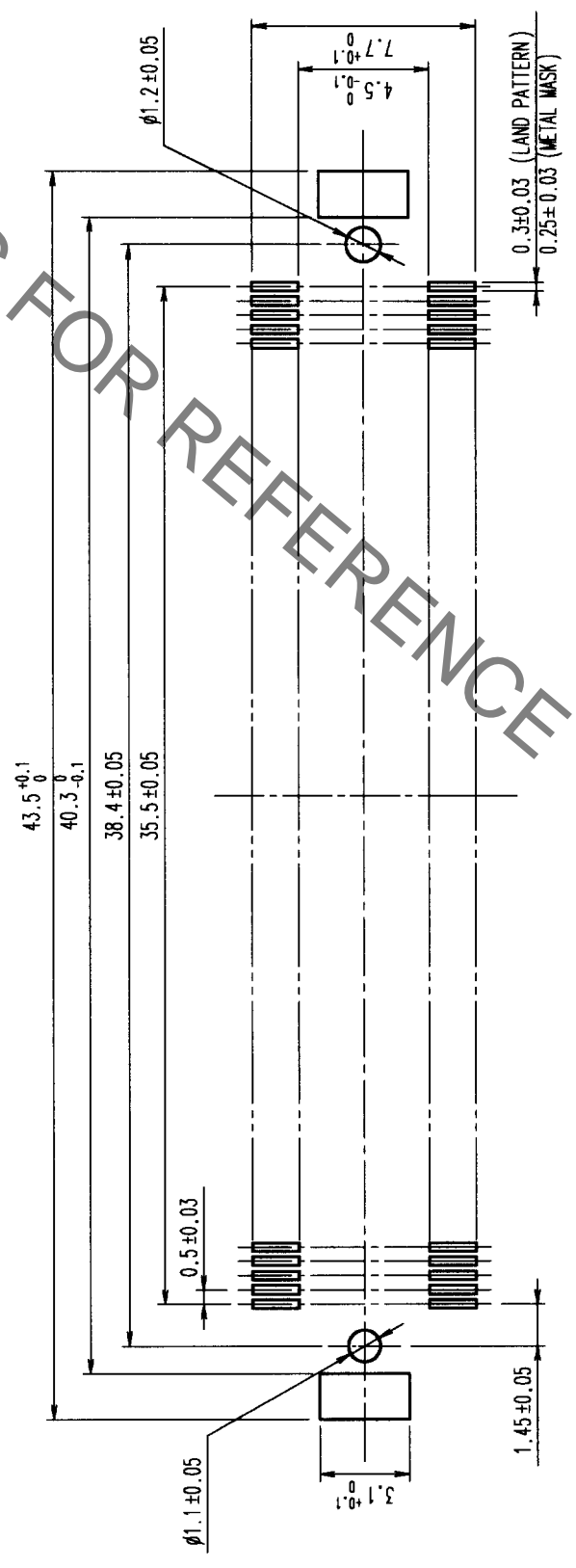


Aug.1.2021 Copyright 2021 HIROSE ELECTRIC CO., LTD. All Rights Reserved.
 In case of consideration for using Automotive equipment / device which demand high reliability, kindly contact our sales window correspondents.

COUNT	DESCRIPTION OF REVISIONS	BY	CHKD	DATE	COUNT	DESCRIPTION OF REVISIONS	BY	CHKD	DATE
1	RE-F-07096	J.M.H.	H.O.	09.09.04					



RECOMMENDED LAND PATTERN DIMENSION OF PCB



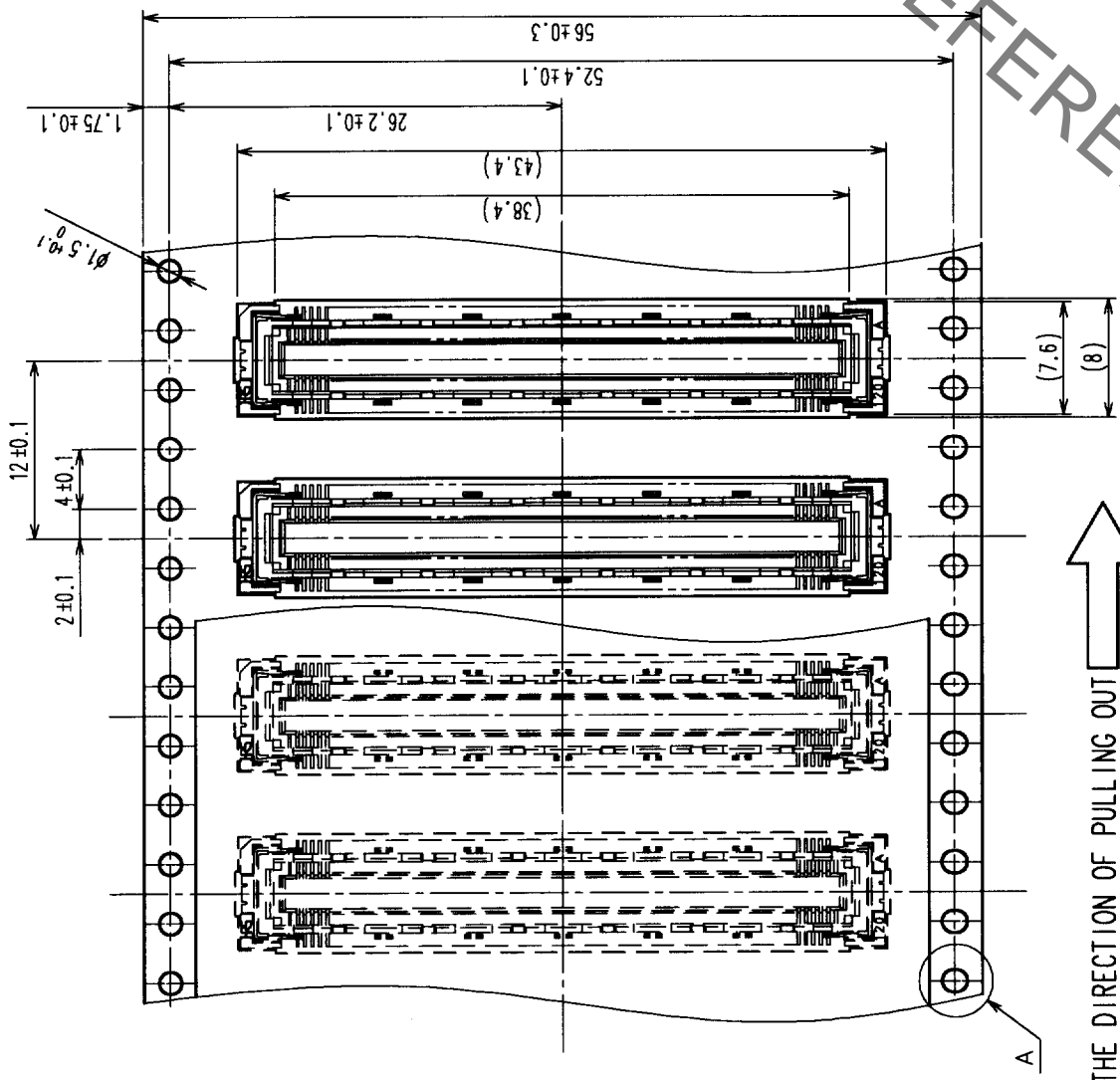
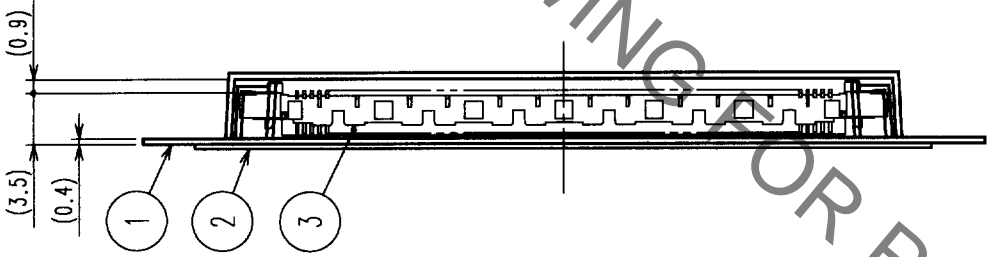
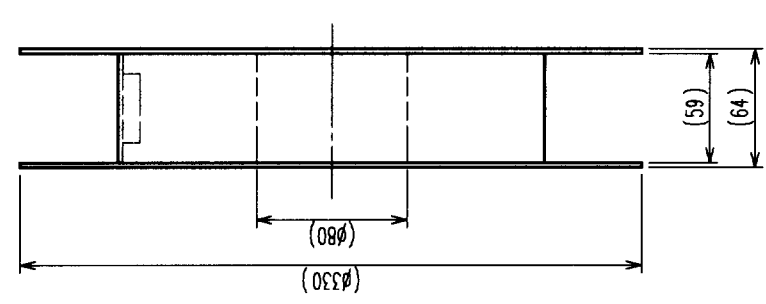
TO	
PCK	

- NOTES 1 SMT LEAD CO-PLANARITY: 0.1 MAX.
- 2 THIS PRODUCT HAS NO POLARITY TO PATTERN FOR MOUNTING.
- 3 EMBOSS CARRIER TAPE PACKAGE IS APPLIED ON THIS PRODUCT. PLEASE REFER TO THE SHEET 2/2 FOR THE DETAILS.

NO.	PHOSPHOR BRONZE	CONTACT AREA: GOLD (0.1mm) OVER NICKEL	FINISH, REMARKS	NO.	PHOSPHOR BRONZE	TIN PLATED	FINISH, REMARKS
2	PHOSPHOR BRONZE	CONTACT AREA: GOLD (0.1mm) OVER NICKEL		3	PHOSPHOR BRONZE	TIN PLATED	
1	LCP	BEIGE	UL94V-0				
CODE NO. (OLD)		CL		DRAWN		DESIGNED	
				T. TAKADA		T. TAKADA	
				00.01.07		00.01.07	
				M. ISHIDA		M. ISHIDA	
				00.01.07		00.01.07	
				Y. YASHIMURA		Y. YASHIMURA	
				00.01.11		00.01.11	
DRAWING NO.		EDC3-151986-01		PART NO.		FX10A-144S-SV(21)	
SCALE		4 : 1		CODE NO.		CL570-0243-4-21	
UNITS		mm		HIROSE ELECTRIC CO., LTD			

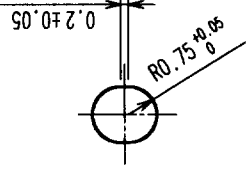
5	6	7	8
COUNT	DESCRIPTION OF REVISIONS	BY	CHKD
DATE	DESCRIPTION OF REVISIONS	BY	CHKD

REELED DIMENSION (Free)



- △ NOTES
- 1 REEL: 1000 CONNECTORS.
 - 2 MINIMUM 10 COMPARTMENTS FROM BOTH REEL ENDS REMAIN EMPTY.
 - 3 THIS PRODUCT HAS NO POLARITY TO TAPE AND REEL PACKAGING.

A (5:1)



2	PET	TOP COVER TAPE	3	(CONNECTOR)	FINISH, REMARKS	APPROVED	RELEASED
1	PS	EMBOSSED CARRIER TAPE	NO.	MATERIAL	FINISH, REMARKS	NO.	MATERIAL
NO.	MATERIAL	FINISH, REMARKS	NO.	MATERIAL	FINISH, REMARKS	NO.	MATERIAL
CODE NO. (OLD)	CL	DRAWN	DESIGNED	CHECKED	APPROVED	RELEASED	
		T. TAKADA	T. TAKADA	M. ISHIDA	Y. YASHIMURA		
		00.01.07	00.01.07	00.01.07	00.01.11		
DRAWING FOR PACKING		DRAWING NO.		PART NO.			
		EDC3-151986-01		FX10A-144S-SV(21)			
SCALE		UNITS		CODE NO.			
2 : 1		mm		CL570-0243-4-21			
		HRS		HIROSE ELECTRIC CO., LTD			

TO	
PCK	

Mouser Electronics

Authorized Distributor

Click to View Pricing, Inventory, Delivery & Lifecycle Information:

[Hirose Electric:](#)

[FX10A-144S-SV\(21\)](#)