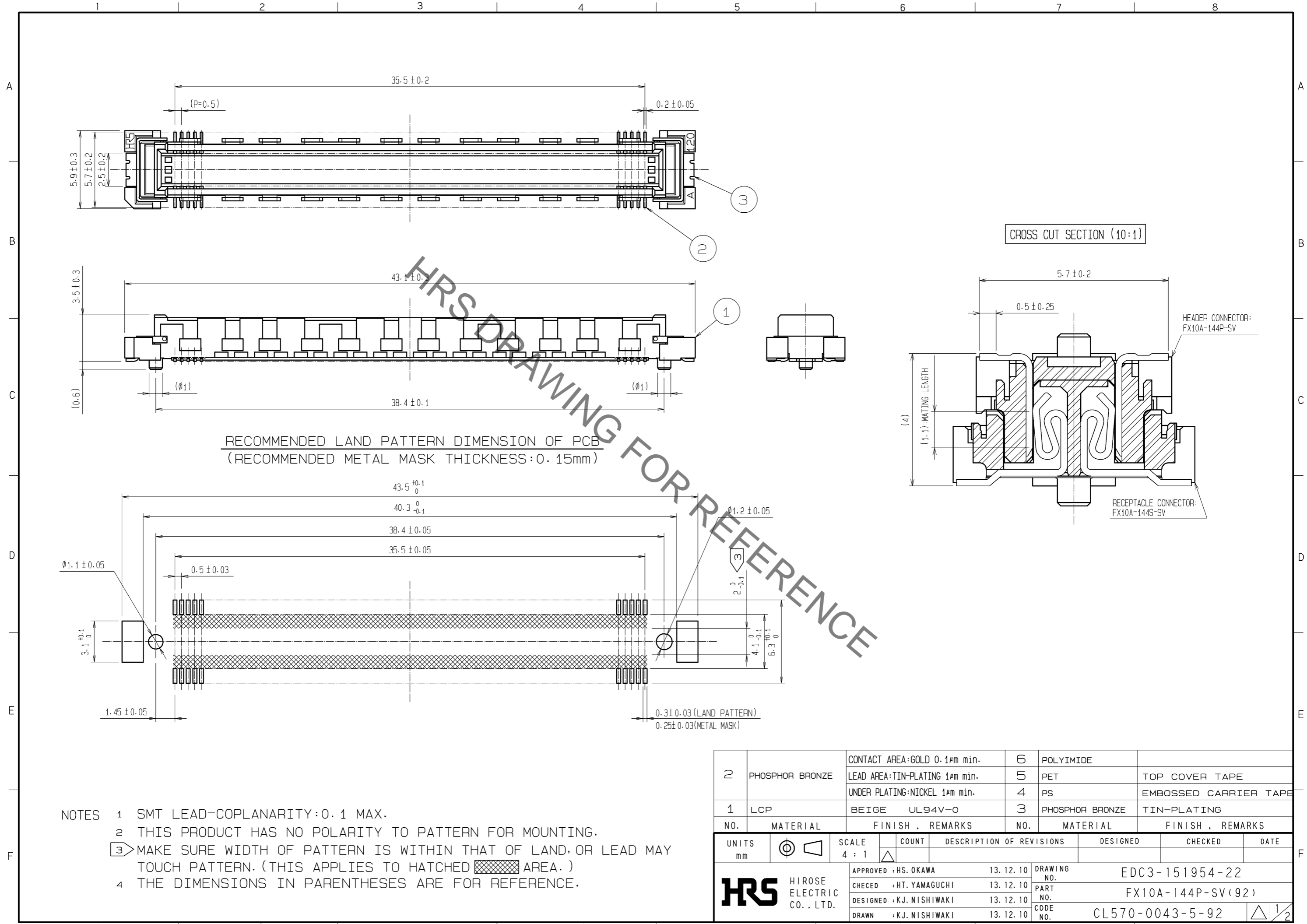


Sep.1.2021 Copyright 2021 HIROSE ELECTRIC CO., LTD. All Rights Reserved.  
 In case of consideration for using Automotive equipment / device which demand high reliability, kindly contact our sales window correspondents.



RECOMMENDED LAND PATTERN DIMENSION OF PCB  
 (RECOMMENDED METAL MASK THICKNESS: 0.15mm)

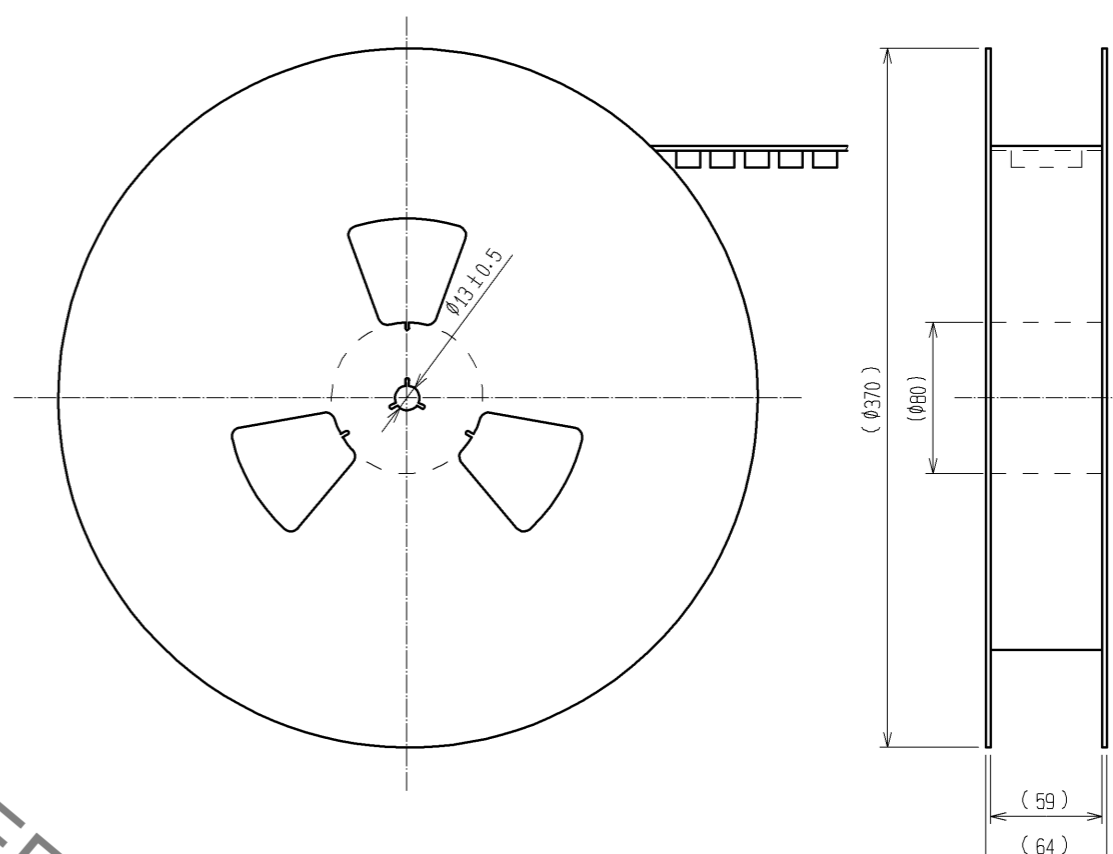
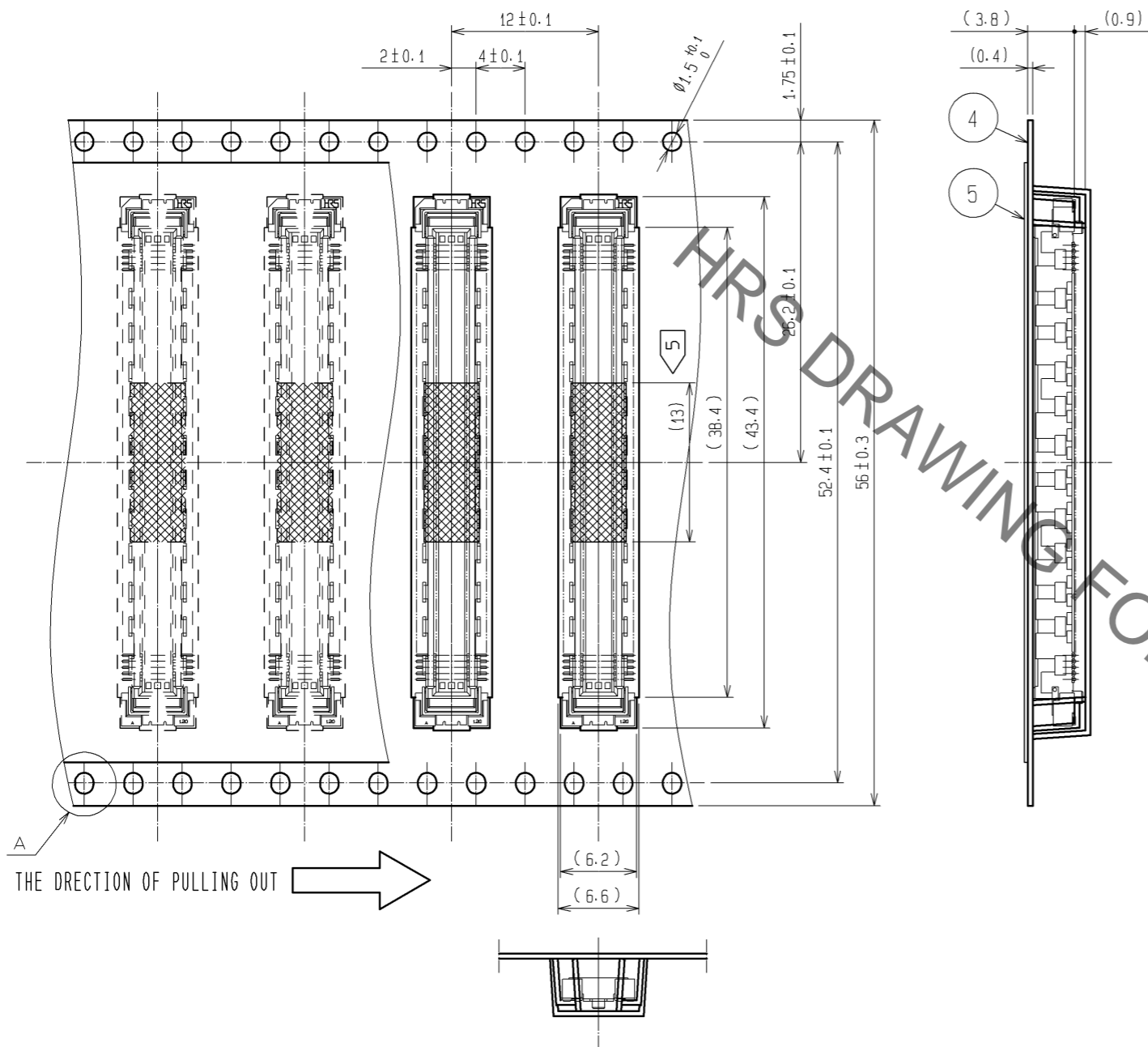
- NOTES
- 1 SMT LEAD-COPLANARITY: 0.1 MAX.
  - 2 THIS PRODUCT HAS NO POLARITY TO PATTERN FOR MOUNTING.
  - 3 MAKE SURE WIDTH OF PATTERN IS WITHIN THAT OF LAND, OR LEAD MAY TOUCH PATTERN. (THIS APPLIES TO HATCHED AREA.)
  - 4 THE DIMENSIONS IN PARENTHESES ARE FOR REFERENCE.

| 2                         | PHOSPHOR BRONZE | CONTACT AREA: GOLD 0.1μm min.   | 6          | POLYIMIDE       |                          |                   |         |      |
|---------------------------|-----------------|---------------------------------|------------|-----------------|--------------------------|-------------------|---------|------|
|                           |                 | LEAD AREA: TIN-PLATING 1μm min. | 5          | PET             | TOP COVER TAPE           |                   |         |      |
|                           |                 | UNDER PLATING: NICKEL 1μm min.  | 4          | PS              | EMBOSSED CARRIER TAPE    |                   |         |      |
| 1                         | LCP             | BEIGE UL94V-0                   | 3          | PHOSPHOR BRONZE | TIN-PLATING              |                   |         |      |
| NO.                       | MATERIAL        | FINISH . REMARKS                | NO.        | MATERIAL        | FINISH . REMARKS         |                   |         |      |
| UNITS                     | mm              | SCALE                           | 4 : 1      | COUNT           | DESCRIPTION OF REVISIONS | DESIGNED          | CHECKED | DATE |
|                           |                 | APPROVED : HS. OKAWA            | 13. 12. 10 | DRAWING NO.     |                          | EDC3-151954-22    |         |      |
| HIROSE ELECTRIC CO., LTD. |                 | CHECED : HT. YAMAGUCHI          | 13. 12. 10 | PART NO.        |                          | FX10A-144P-SV(92) |         |      |
|                           |                 | DESIGNED : KJ. NISHIWAKI        | 13. 12. 10 | CODE NO.        |                          | CL570-0043-5-92   |         |      |
|                           |                 | DRAWN : KJ. NISHIWAKI           | 13. 12. 10 |                 |                          | 1/2               |         |      |

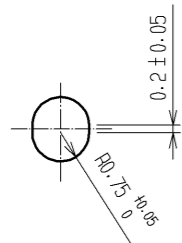
Sep.1.2021 Copyright 2021 HIROSE ELECTRIC CO., LTD. All Rights Reserved.  
 In case of consideration for using Automotive equipment / device which demand high reliability, kindly contact our sales window correspondents.

DRAWING FOR PACKING (2:1)

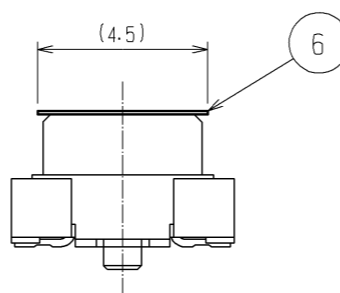
REELED DIMENSION (Free)



A (5:1)



MYLAR TAPE DIMENSION (5:1)



- NOTES
- 1 1 REEL : 1000 CONNECTORS.
  - 2 MINMUM 10 COMPARTMENTS FROM BOTH REEL ENDS REMAIN EMPTY.
  - 3 THIS PRODUCT HAS NO POLAVITY TO TAPE AND REEL PACKING.
  - 4 THE DIMENSIONS IN PARENTHESSES ARE FOR REFERENCE.
  - 5 IT SHOWS THE VACUUM PICKUP AREA.  
REMOVE THE MYLAR TAPE BEFORE MATING CONNECTORS.

|            |             |                   |
|------------|-------------|-------------------|
| <b>HRS</b> | DRAWING NO. | EDC3-151954-22    |
|            | PART NO.    | FX10A-144P-SV(92) |
|            | CODE NO.    | CL570-0043-5-92   |
|            |             | $\triangle$ 2/2   |

# Mouser Electronics

Authorized Distributor

Click to View Pricing, Inventory, Delivery & Lifecycle Information:

[Hirose Electric:](#)

[FX10A-144P-SV\(92\)](#)