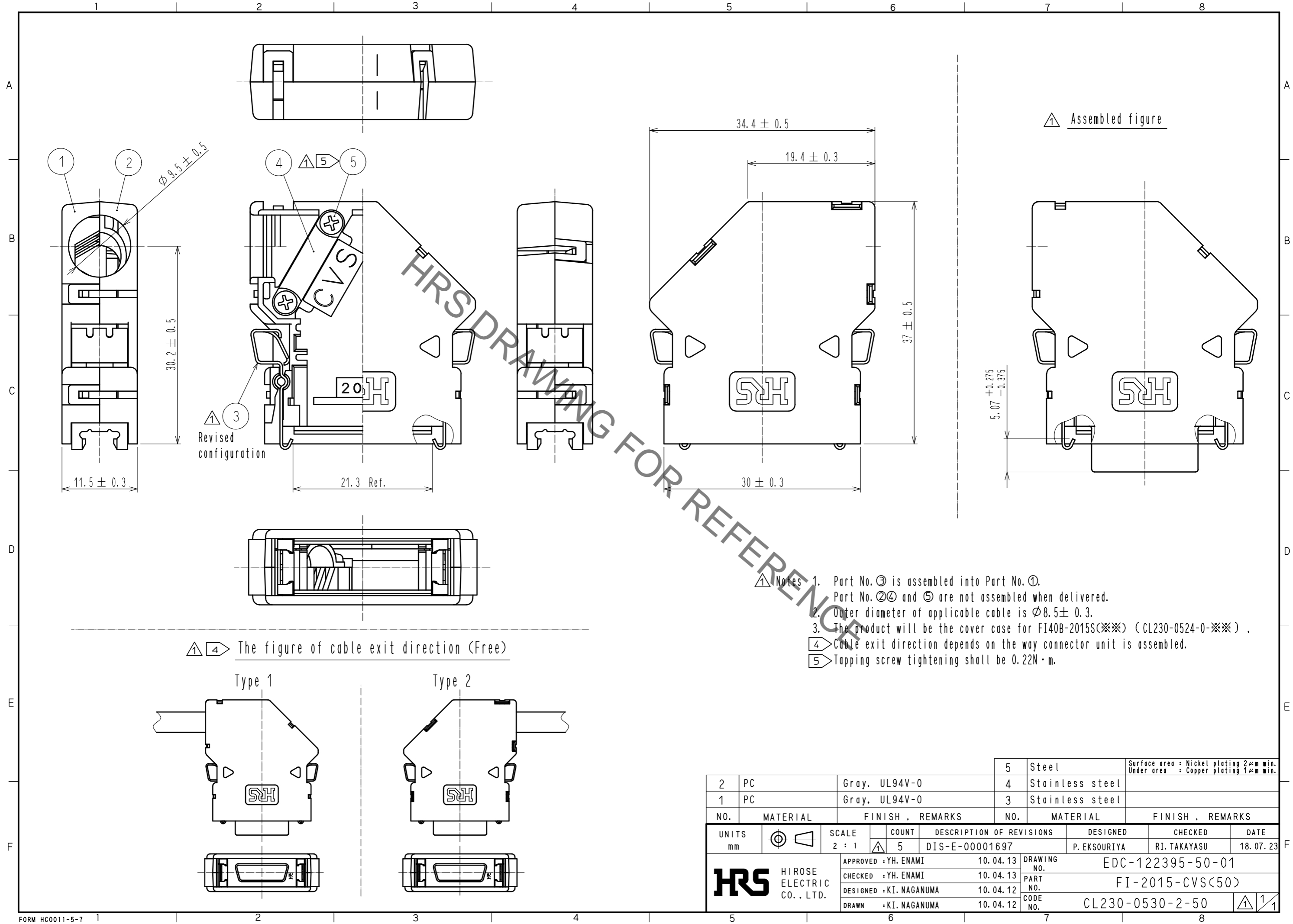
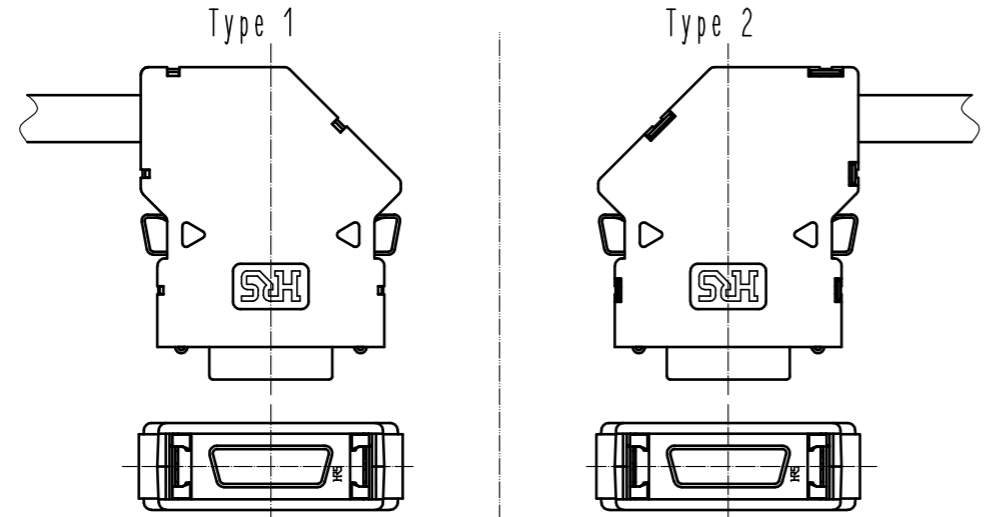


Aug.1.2021 Copyright 2021 HIROSE ELECTRIC CO., LTD. All Rights Reserved.
 In case of consideration for using Automotive equipment / device which demand high reliability, kindly contact our sales window correspondents.



- Notes
1. Part No. ③ is assembled into Part No. ①.
Part No. ②④ and ⑤ are not assembled when delivered.
 2. Outer diameter of applicable cable is $\phi 8.5 \pm 0.3$.
 3. The product will be the cover case for FI40B-2015S(※※) (CL230-0524-0-※※).
 - ④ Cable exit direction depends on the way connector unit is assembled.
 - ⑤ Tapping screw tightening shall be 0.22N·m.



2	PC	Gray, UL94V-0	5	Steel	Surface area : Nickel plating 2μm min. Under area : Copper plating 1μm min.
1	PC	Gray, UL94V-0	4	Stainless steel	
			3	Stainless steel	
NO.	MATERIAL	FINISH . REMARKS	NO.	MATERIAL	FINISH . REMARKS
UNITS		SCALE	COUNT	DESCRIPTION OF REVISIONS	
mm		2 : 1	5	DIS-E-00001697	
HRS HIROSE ELECTRIC CO., LTD.		APPROVED : YH. ENAMI	10.04.13	DESIGNED	18.07.23
		CHECKED : YH. ENAMI	10.04.13	RI. TAKAYASU	
		DESIGNED : KI. NAGANUMA	10.04.12	DRAWING NO. EDC-122395-50-01	
		DRAWN : KI. NAGANUMA	10.04.12	PART NO. FI-2015-CVS(50)	
				CODE NO. CL230-0530-2-50	

Mouser Electronics

Authorized Distributor

Click to View Pricing, Inventory, Delivery & Lifecycle Information:

[Hirose Electric:](#)

[FI-2015-CVS\(50\)](#)