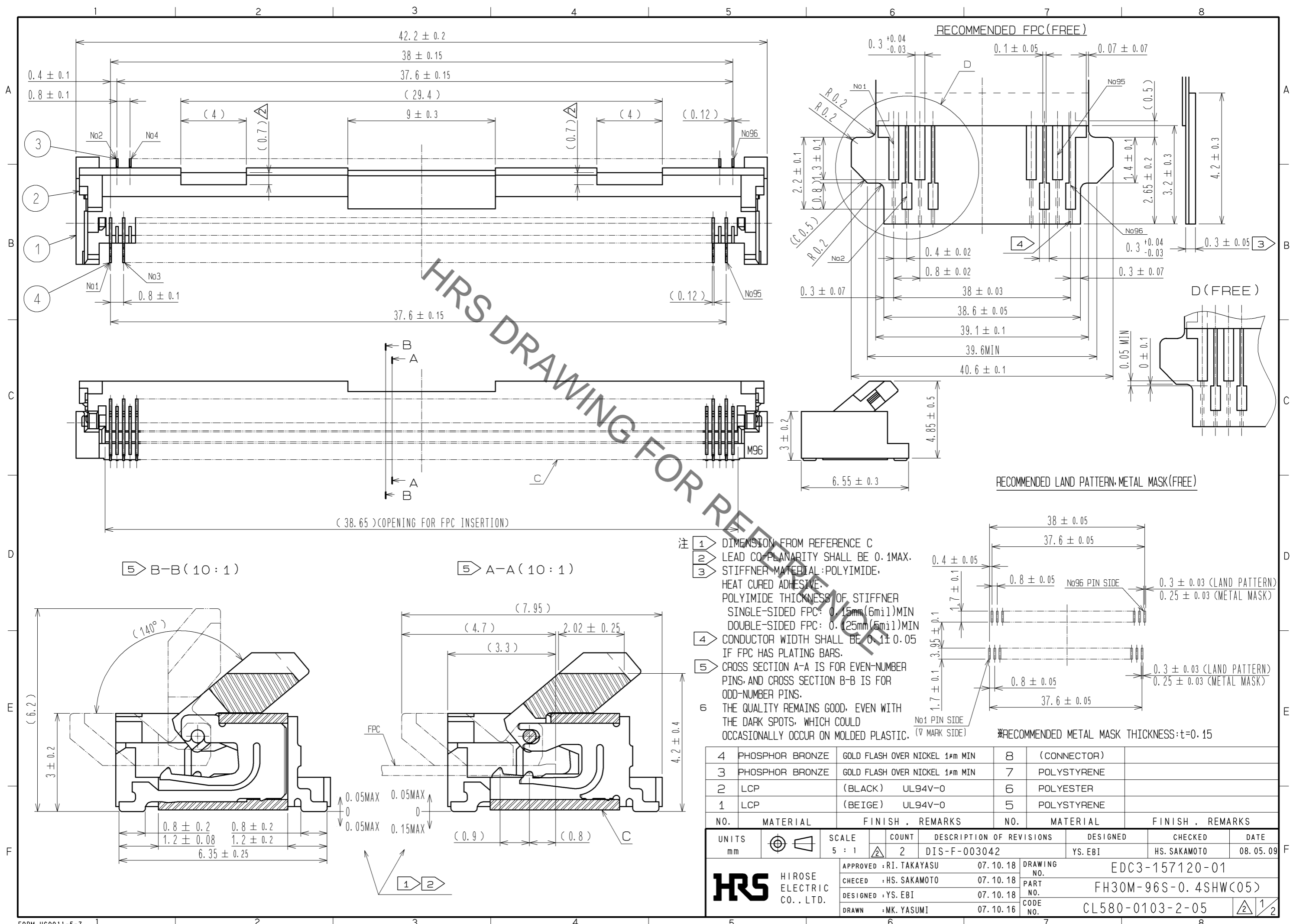


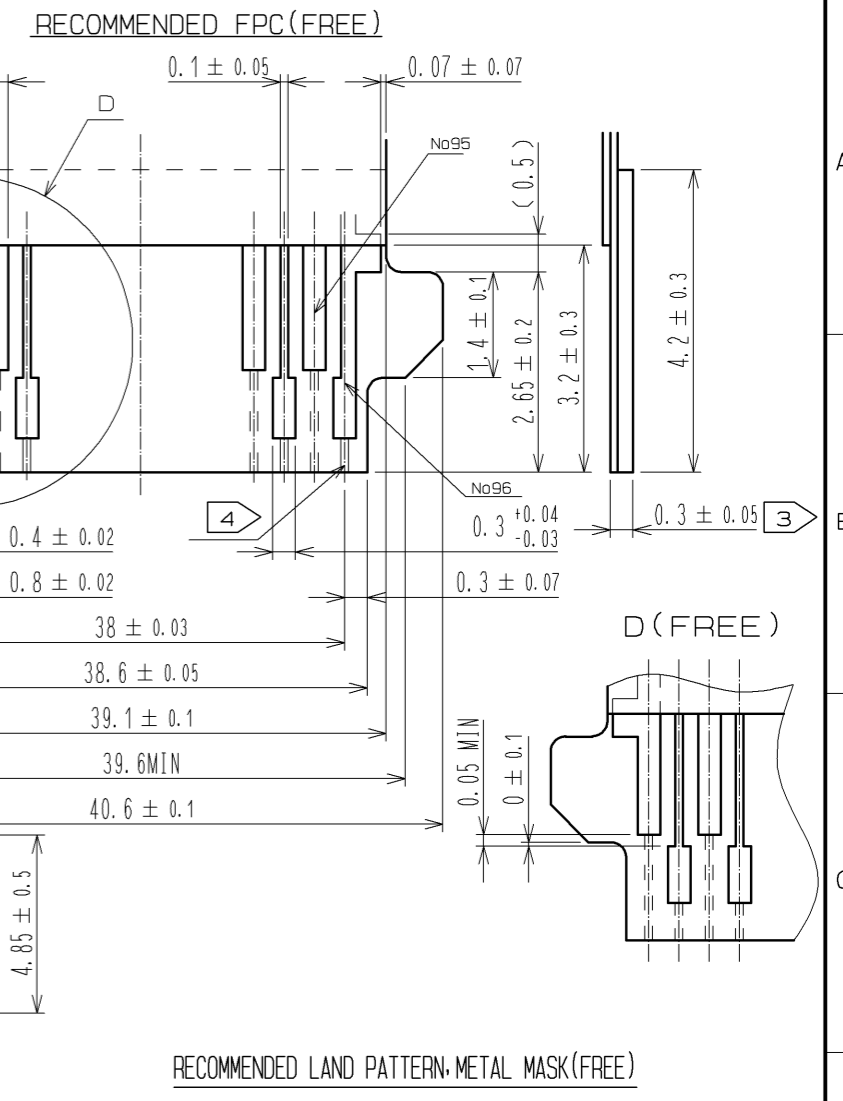
Sep.1.2021 Copyright 2021 HIROSE ELECTRIC CO., LTD. All Rights Reserved.
In case of consideration for using Automotive equipment / device which demand high reliability, kindly contact our sales window correspondents.



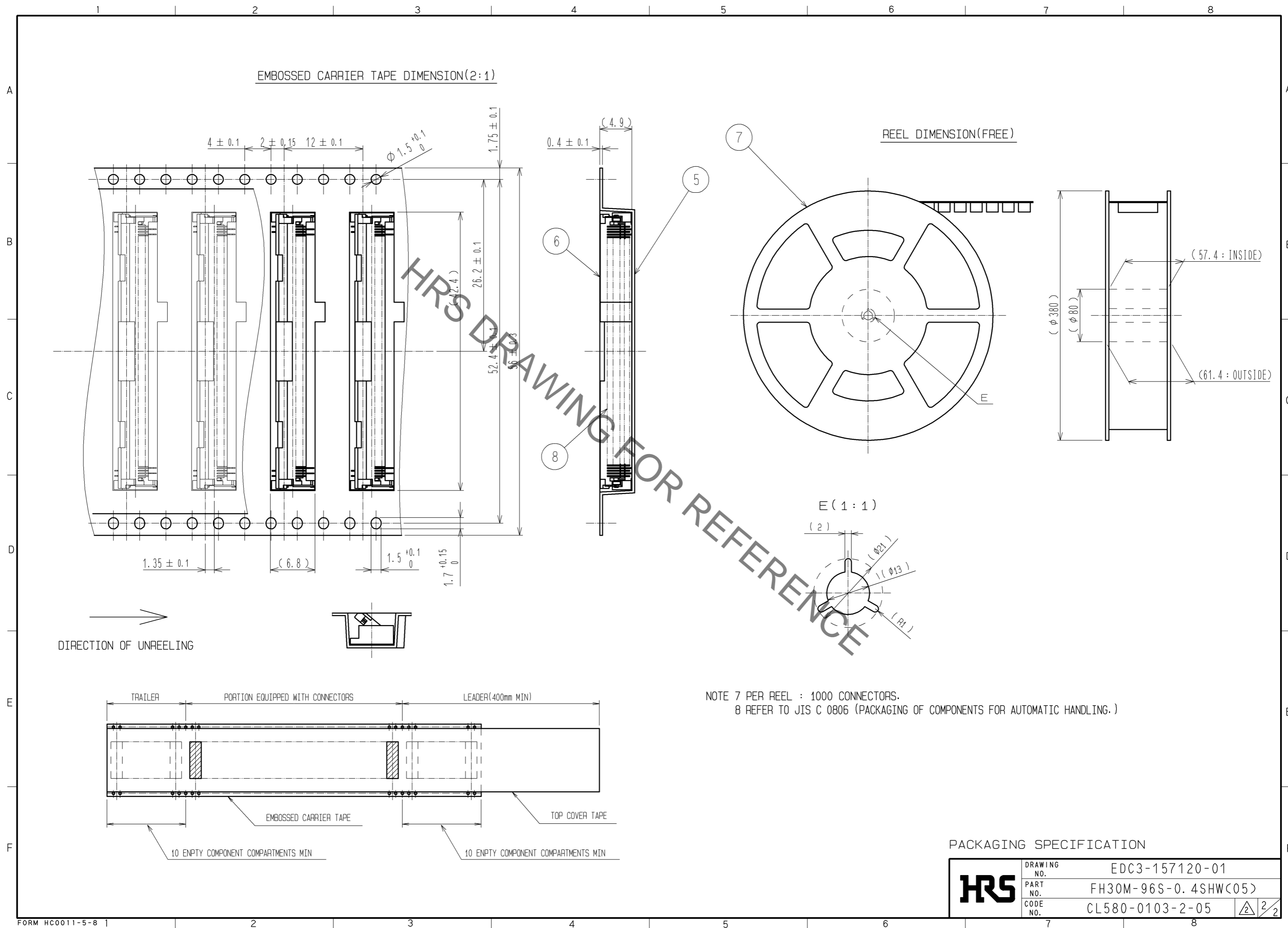
- 注 1 DIMENSION FROM REFERENCE C
 2 LEAD CO-PLANARITY SHALL BE 0.1MAX.
 3 STIFFNER MATERIAL: POLYIMIDE, HEAT CURED ADHESIVE. POLYIMIDE THICKNESS OF STIFFNER SINGLE-SIDED FPC: 0.15mm(6mil)MIN DOUBLE-SIDED FPC: 0.25mm(5mil)MIN
 4 CONDUCTOR WIDTH SHALL BE 0.1 ± 0.05 IF FPC HAS PLATING BARS.
 5 CROSS SECTION A-A IS FOR EVEN-NUMBER PINS, AND CROSS SECTION B-B IS FOR ODD-NUMBER PINS.
 6 THE QUALITY REMAINS GOOD, EVEN WITH THE DARK SPOTS, WHICH COULD OCCASIONALLY OCCUR ON MOLDED PLASTIC.

4	PHOSPHOR BRONZE	GOLD FLASH OVER NICKEL 1#m MIN	8	(CONNECTOR)	
3	PHOSPHOR BRONZE	GOLD FLASH OVER NICKEL 1#m MIN	7	POLYSTYRENE	
2	LCP	(BLACK) UL94V-0	6	POLYESTER	
1	LCP	(BEIGE) UL94V-0	5	POLYSTYRENE	
NO.	MATERIAL	FINISH . REMARKS	NO.	MATERIAL	FINISH . REMARKS

UNITS	mm	SCALE	5 : 1	COUNT	2	DESCRIPTION OF REVISIONS	DESIGNED	CHECKED	DATE
						DIS-F-003042	YS. EBI	HS. SAKAMOTO	08.05.09
APPROVED : RI. TAKAYASU		07.10.18		DRAWING NO.		EDC3-157120-01			
CHECKED : HS. SAKAMOTO		07.10.18		PART NO.		FH30M-96S-0.4SHW<05>			
DESIGNED : YS. EBI		07.10.18		CODE NO.		CL580-0103-2-05			
DRAWN : MK. YASUMI		07.10.16							



Sep.1.2021 Copyright 2021 HIROSE ELECTRIC CO., LTD. All Rights Reserved.
 In case of consideration for using Automotive equipment / device which demand high reliability, kindly contact our sales window correspondents.



Mouser Electronics

Authorized Distributor

Click to View Pricing, Inventory, Delivery & Lifecycle Information:

[Hirose Electric:](#)

[FH30M-96S-0.4SHW\(05\)](#)