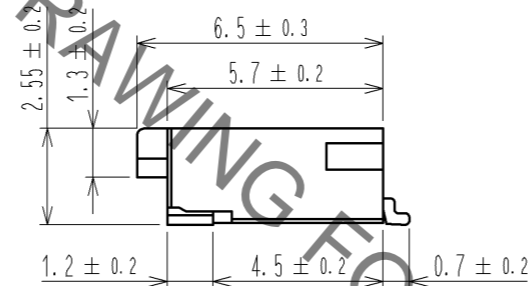
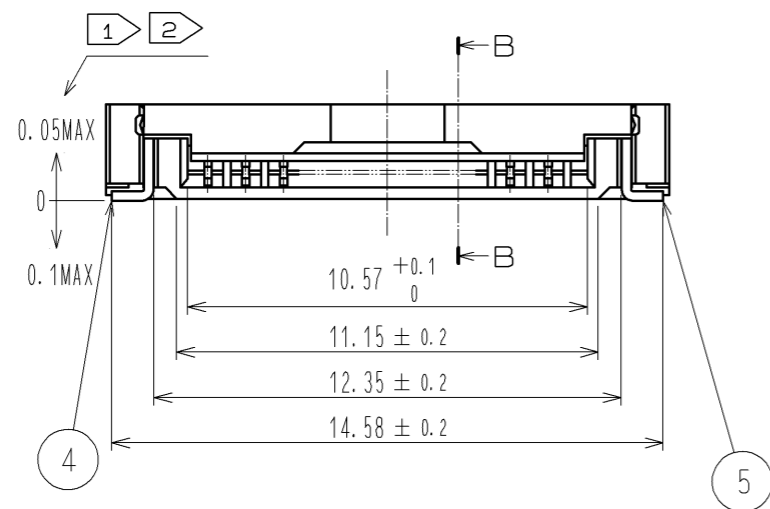
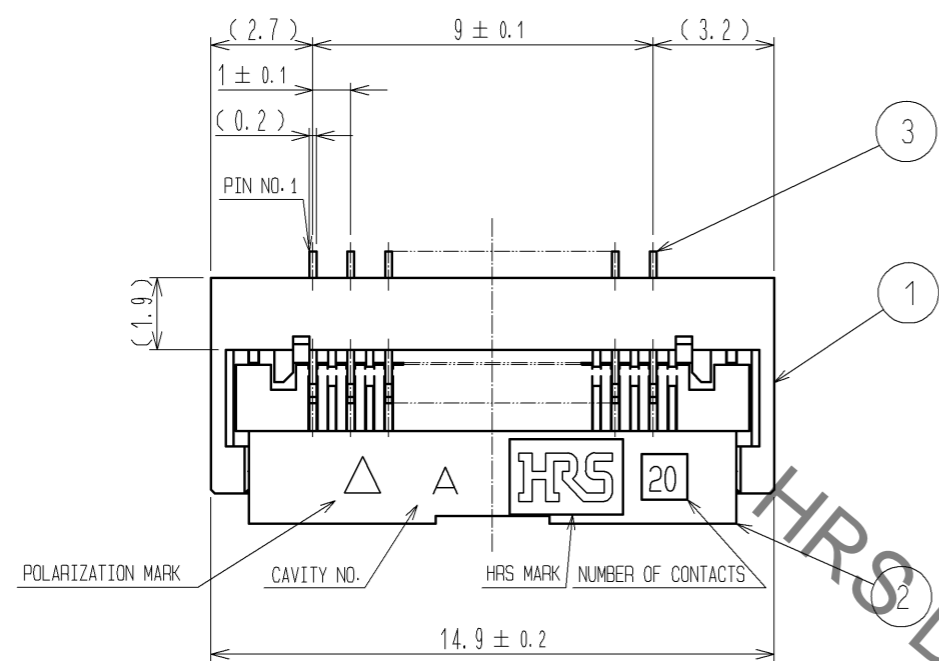
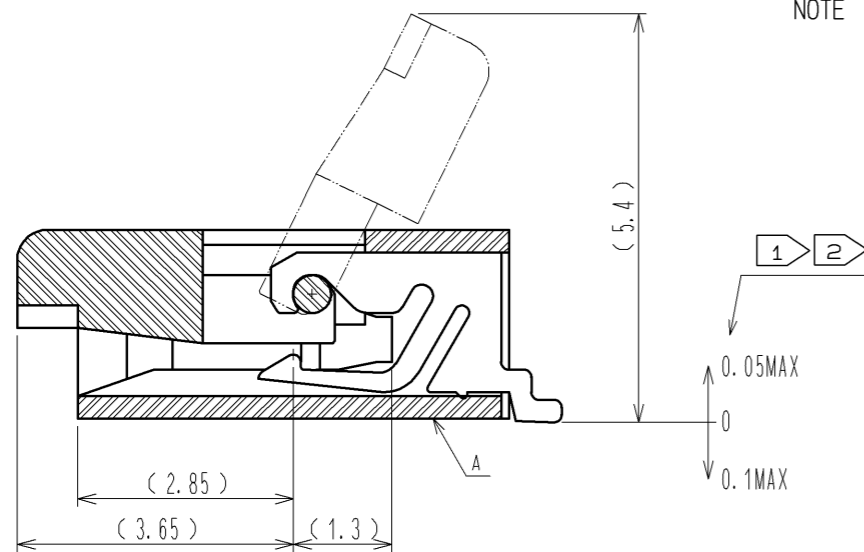


Sep.1.2021 Copyright 2021 HIROSE ELECTRIC CO., LTD. All Rights Reserved.
In case of consideration for using Automotive equipment / device which demand high reliability, kindly contact our sales window correspondents.

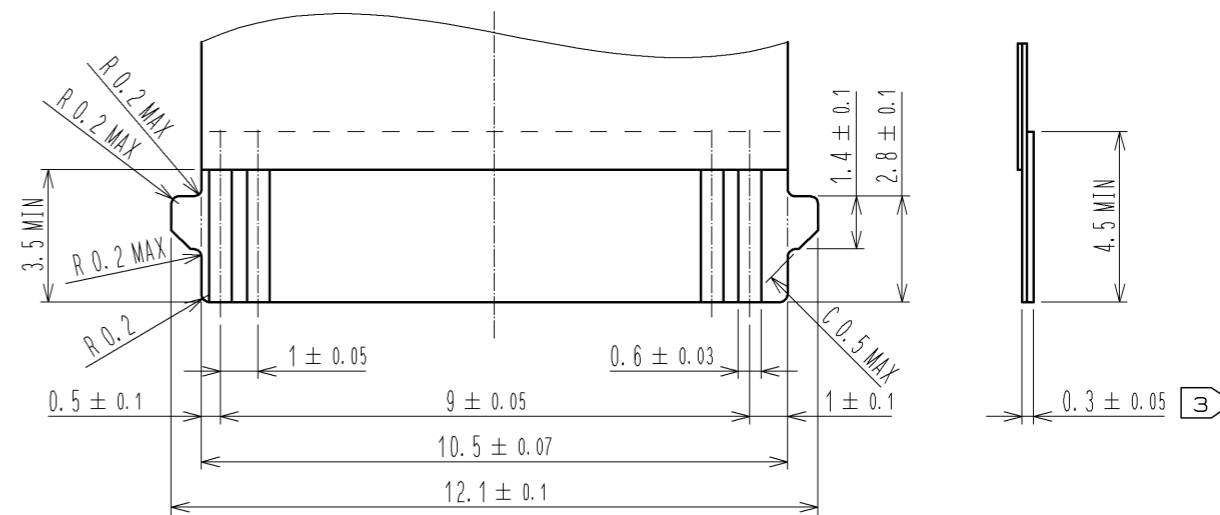


B-B (10 : 1)

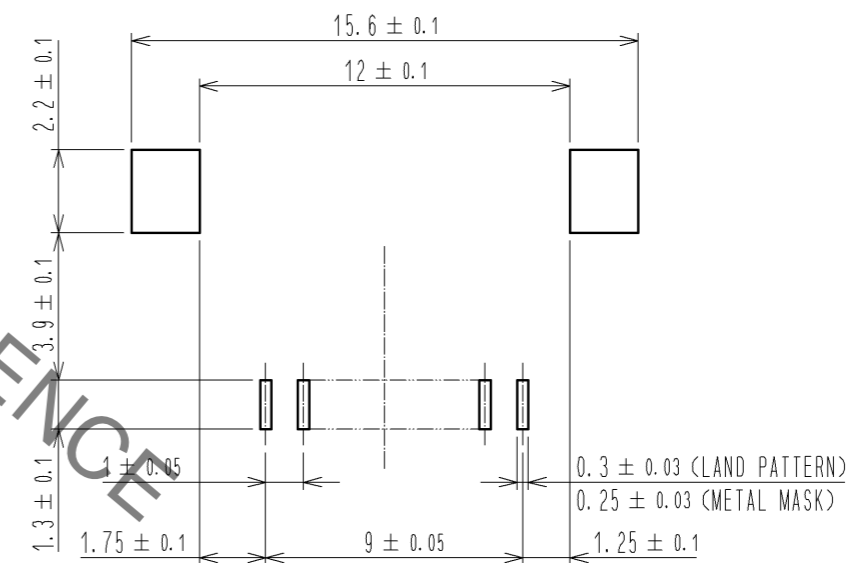
- NOTE
- 1 REFERENCE IS A.
 - 2 LEAD CO-PLANARITY SHALL BE 0.1 MAX.
 - 3 THICKNESS OF SUPPORTING TAPE SHALL BE 0.188(7.5mil) MIN.



RECOMMENDED FPC (FREE)



RECOMMENDED LAND PATTERN, METAL MASK(FREE)



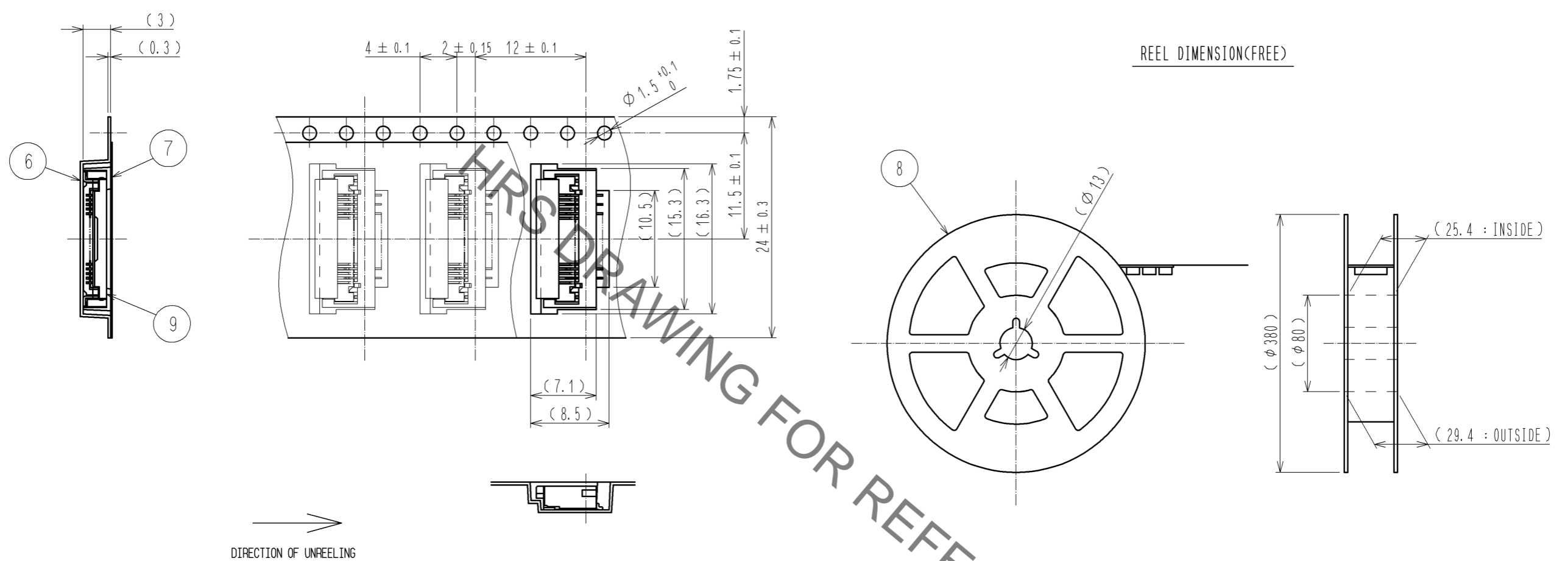
RECOMMENDED METAL MASK THICKNESS: t=0.15

5	BRASS	TIN PLATING 1#mMIN OVER NICKEL 1#mMIN						
4	BRASS	TIN PLATING 1#mMIN OVER NICKEL 1#mMIN	9	(CONNECTOR)				
3	PHOSPHOR BRONZE	GOLD PLATING 0.05#mMIN OVER NICKEL 1#mMIN	8	POLYSTYRENE				
2	LCP	(BLACK) UL94V-0	7	POLYESTER				
1	LCP	(GRAY) UL94V-0	6	POLYSTYRENE				
NO.	MATERIAL	FINISH . REMARKS	NO.	MATERIAL	FINISH . REMARKS			
UNITS	mm	SCALE	5 : 1	COUNT	DESCRIPTION OF REVISIONS	DESIGNED	CHECKED	DATE
		APPROVED : RI. TAKAYASU 09.10.19 CHECED : HS. SAKAMOTO 09.10.19 DESIGNED : MK. YASUMI 09.10.17 DRAWN : MK. YASUMI 09.10.17		DRAWING NO. EDC3-327247-01 PART NO. FH28D-20(10)SB-1SH(C05) CODE NO. CL586-1863-0-05		1/2		

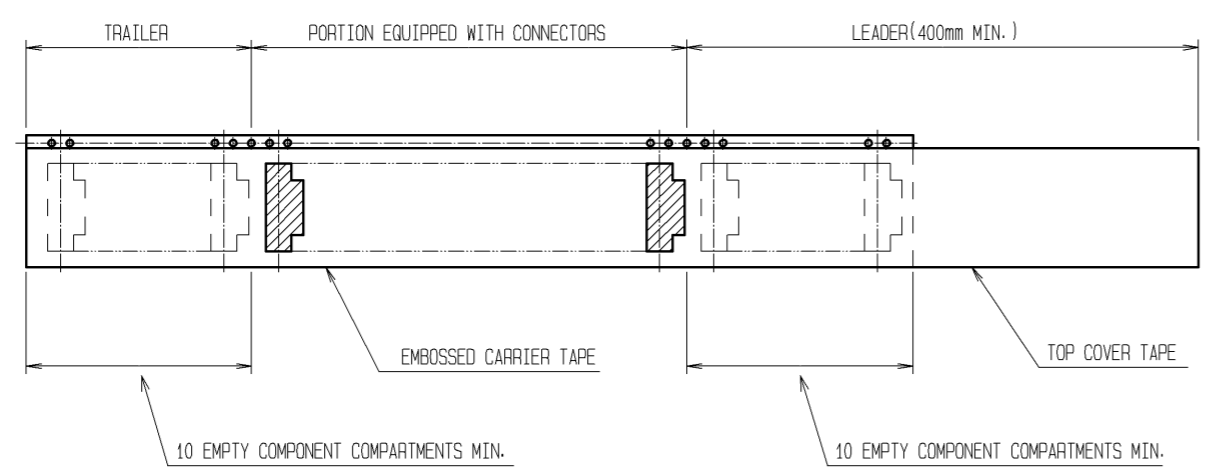
Sep.1.2021 Copyright 2021 HIROSE ELECTRIC CO., LTD. All Rights Reserved.
 In case of consideration for using Automotive equipment / device which demand high reliability, kindly contact our sales window correspondents.

EMBOSSED CARRIER TAPE DIMENSION(2:1)

REEL DIMENSION(FREE)



→
DIRECTION OF UNREELING



- NOTE 4 THE DIMENSIONS IN PARENTHESES ARE FOR REFERENCE.
 5 PER REEL : 2000 CONNECTORS.
 6 REFER TO JIS C 0806 (PACKAGING OF COMPONENTS FOR AUTOMATIC HANDLING).

DRAWING FOR PACKING

HRS	DRAWING NO.	EDC3-327247-01	
	PART NO.	FH28D-20<10>SB-1SH<05>	
	CODE NO.	CL586-1863-0-05	△ 2/2

Mouser Electronics

Authorized Distributor

Click to View Pricing, Inventory, Delivery & Lifecycle Information:

[Hirose Electric:](#)

[FH28D-20\(10\)SB-1SH\(05\)](#)