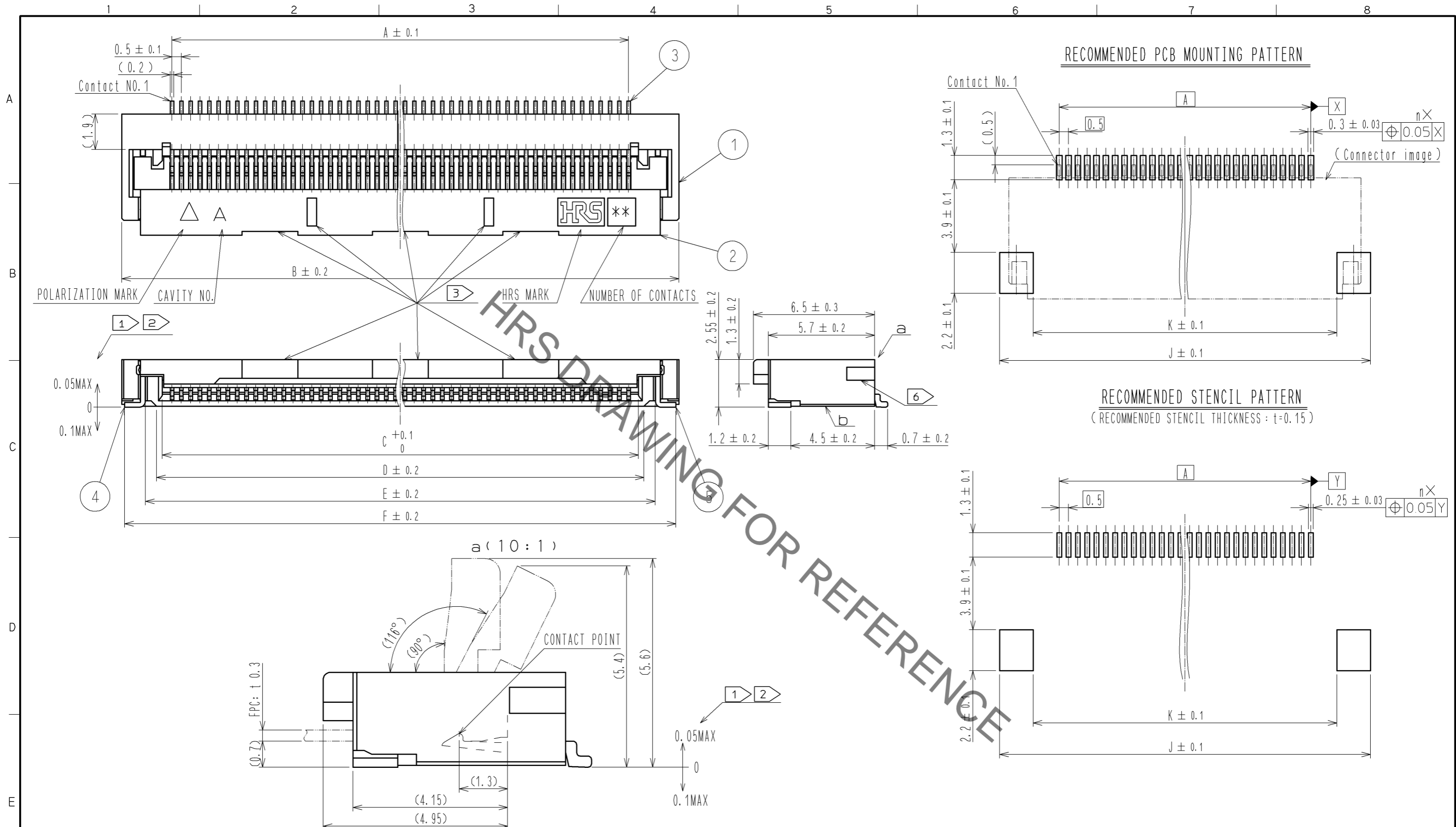


Aug.1.2021 Copyright 2021 HIROSE ELECTRIC CO., LTD. All Rights Reserved.
In case of consideration for using Automotive equipment / device which demand high reliability, kindly contact our sales window correspondents.

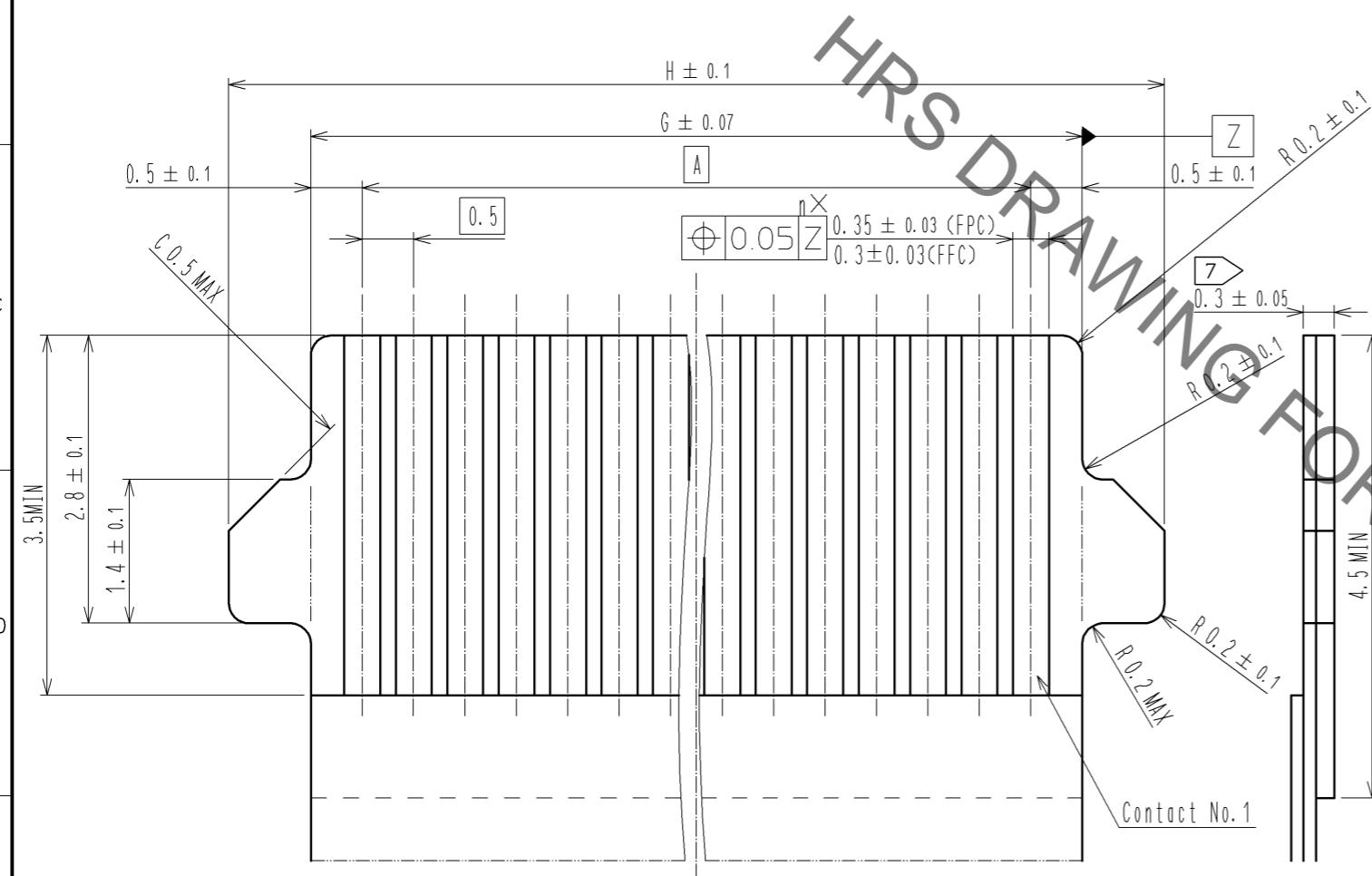


- NOTES
- 1 Lead CO-PLANARITY including reinforced metal fittings shall be 0.1 MAX.
 - 2 Dimension: from reference b.
 - 3 Indicates notches or holes to prevent sink marks. The design and the location are discretionary, depending on the number of contacts.
 4. This product satisfies halogen free requirements defined as 900ppm maximum chlorine, 900ppm maximum bromine, and 1500ppm maximum total of chlorine and bromine.
 5. 'n' represents the number of contacts.
 - 6 Indicates notches for attachment dust cover.
FH28 series : without notches.
FH28D series : with notches.
There is no difference in performance between FH28 series and FH28D series.

5	BRASS	TIN PLATING 1#MIN OVER NICKEL 1#MIN						
4	BRASS	TIN PLATING 1#MIN OVER NICKEL 1#MIN	9	(CONNECTOR)				
3	PHOSPHOR BRONZE	GOLD PLATING 0.05#MIN OVER NICKEL 1#MIN	8	POLYSTYRENE				
2	LCP	(BLACK) UL94V-0	7	POLYESTER				
1	LCP	(GRAY) UL94V-0	6	POLYSTYRENE				
NO.	MATERIAL	FINISH . REMARKS	NO.	MATERIAL	FINISH . REMARKS			
UNITS	mm	SCALE	5 : 1	COUNT	DESCRIPTION OF REVISIONS	DESIGNED	CHECKED	DATE
APPROVED : HS. SAKAMOTO		13. 09. 20		DRAWING NO.		EDC3-353836-01		
CHECKED : HS. SAKAMOTO		13. 09. 20		PART NO.		FH28-*S-0.5SH(05)		
DESIGNED : RT. IKEDA		13. 09. 19		CODE NO.		FH28D-*S-0.5SH(05)		
DRAWN : RT. IKEDA		13. 09. 19		CL586				

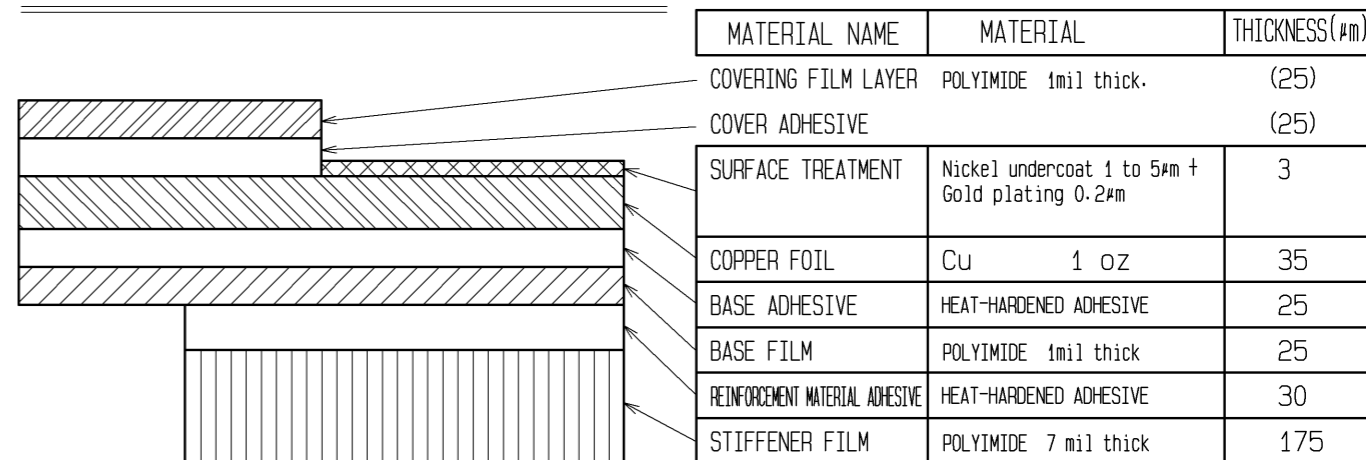
Aug.1.2021 Copyright 2021 HIROSE ELECTRIC CO., LTD. All Rights Reserved.
In case of consideration for using Automotive equipment / device which demand high reliability, kindly contact our sales window correspondents.

RECOMMENDED FPC/FFC (15:1)

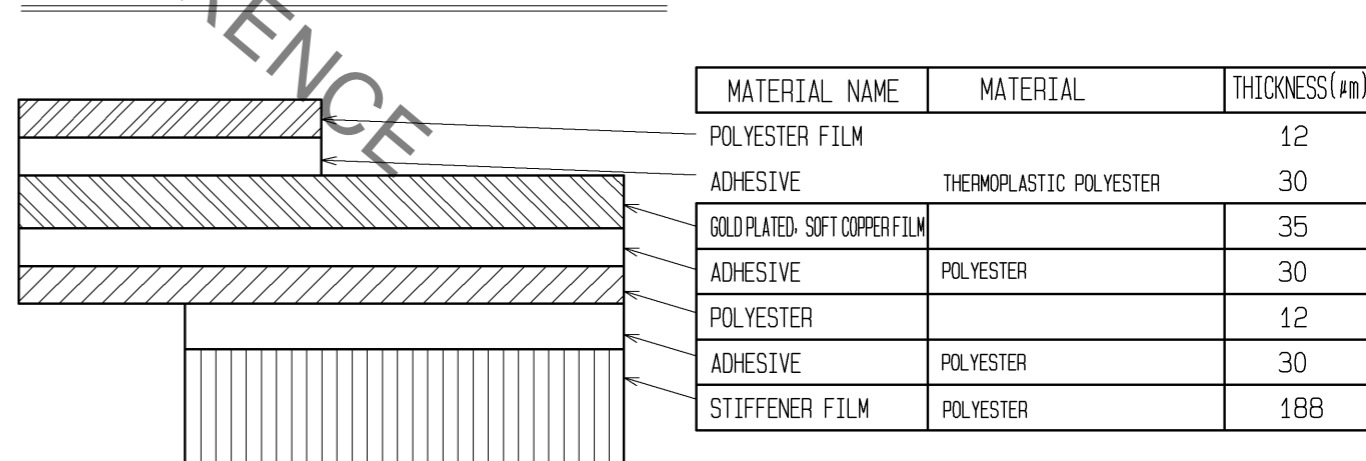


7 Thickness of supporting tape shall be 0.188(7.5mil) MIN.

FPC CONFIGURATION (REFERENCE EXAMPLE) (SCALE:FREE)

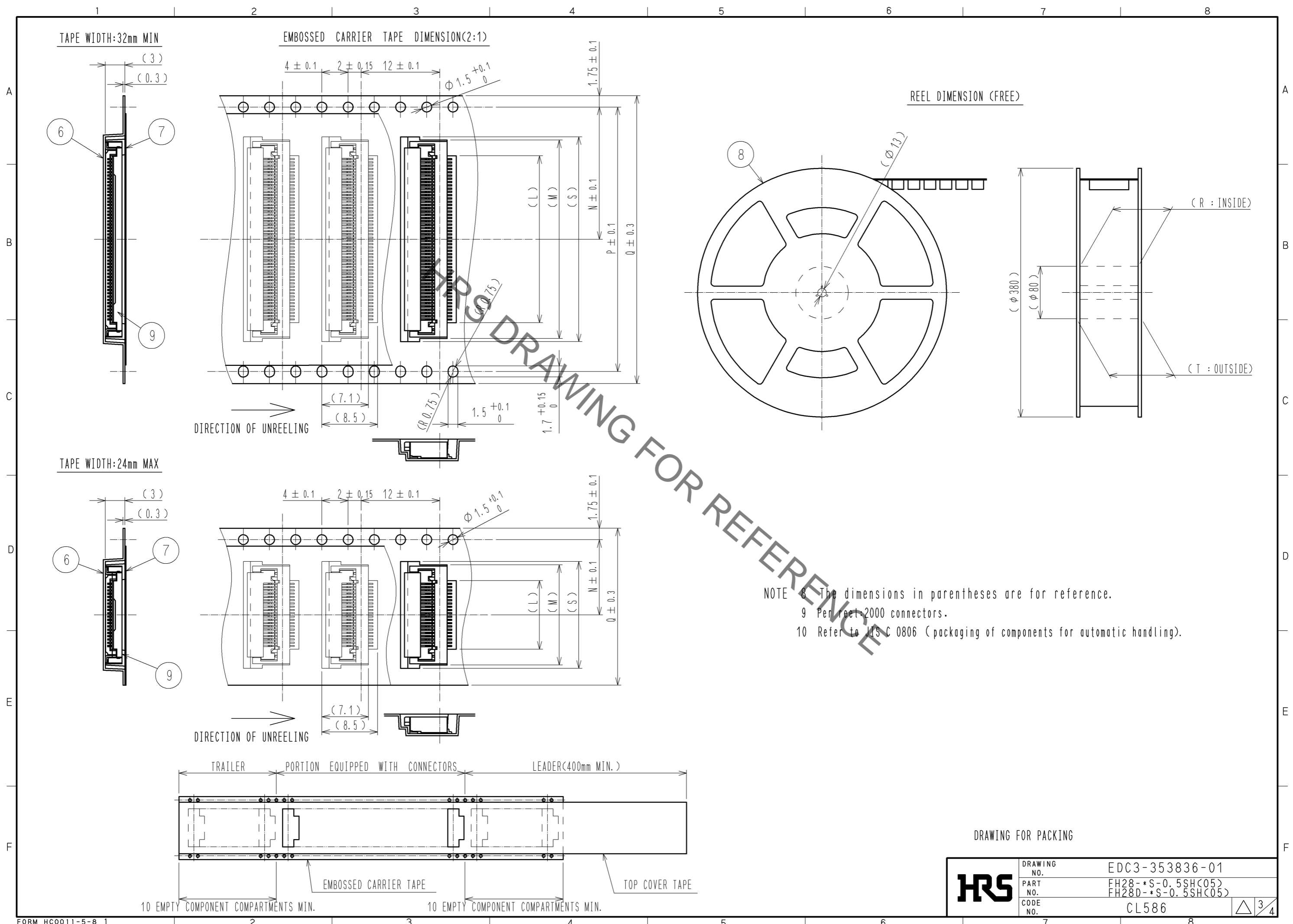


FFC CONFIGURATION (REFERENCE EXAMPLE) (SCALE:FREE)



HRS	DRAWING NO.	EDC3-353836-01
	PART NO.	FH28-*S-0.5SH(05) FH28D-*S-0.5SH(05)
	CODE NO.	CL586
		2/4

Aug.1.2021 Copyright 2021 HIROSE ELECTRIC CO., LTD. All Rights Reserved.
 In case of consideration for using Automotive equipment / device which demand high reliability, kindly contact our sales window correspondents.



REEL DIMENSION (FREE)

NOTE 8 The dimensions in parentheses are for reference.
 9 Per reel 2000 connectors.
 10 Refer to JIS C 0806 (packaging of components for automatic handling).

DRAWING FOR PACKING

HRS	DRAWING NO.	EDC3-353836-01	3/4
	PART NO.	FH28-*S-0.5SH(C05) FH28D-*S-0.5SH(C05)	
	CODE NO.	CL586	

Aug.1.2021 Copyright 2021 HIROSE ELECTRIC CO., LTD. All Rights Reserved.
In case of consideration for using Automotive equipment / device which demand high reliability, kindly contact our sales window correspondents.

PART NO.	CODE NO.	Number of contact	DIMENSION TABLE OF CONNECTOR, FPC, FFC, LAND PATTERN AND STENCIL PATTERN										DIMENSION TABLE OF DRAWING FOR PACKING							
			A	B	C	D	E	F	G	H	J	K	L	M	N	P	Q	R	T	S
FH28 -10S-0.5SH(05)	CL586-1861-4-05	10	4.5	8.8	5.57	6.15	7.35	9.58	5.5	7.1	10.6	7	5.5	10.3	11.5	-	24	25.4	29.4	11.3
FH28 -15S-0.5SH(05)	CL586-1868-3-05	15	7	12.4	8.07	8.65	9.85	12.08	8	9.6	13.1	9.5	8	12.8	11.5	-	24	25.4	29.4	13.8
FH28D-20S-0.5SH(05)	CL586-1823-5-05	20	9.5	14.9	10.57	11.15	12.35	14.58	10.5	12.1	15.6	12	10.5	15.3	11.5	-	24	25.4	29.4	16.3
FH28D-28S-0.5SH(05)	CL586-1835-4-05	28	13.5	18.9	14.57	15.15	16.35	18.58	14.5	16.1	19.6	16	14.5	19.3	14.2	28.4	32	33.4	37.4	20.3
FH28D-30S-0.5SH(05)	CL586-1827-6-05	30	14.5	19.9	15.57	16.15	17.35	19.58	15.5	17.1	20.6	17	15.5	20.3	14.2	28.4	32	33.4	37.4	21.3
¹¹ FH28 -40S-0.5SH(07)	CL586-1803-8-07	40	19.5	24.9	20.57	21.15	22.35	24.58	20.5	22.1	25.6	22	20.5	25.3	20.2	40.4	44	45.4	49.4	-
FH28 -45S-0.5SH(05)	CL586-1848-6-05	45	22	27.4	23.07	23.65	24.85	27.08	23	24.6	28.1	24.5	23	27.8	20.2	40.4	44	45.4	49.4	28.8
FH28 -50S-0.5SH(05)	CL586-1801-2-05	50	24.5	29.9	25.57	26.15	27.35	29.58	25.5	27.1	30.6	27	25.5	30.3	20.2	40.4	44	45.4	49.4	-
FH28 -55S-0.5SH(05)	CL586-1800-0-05	55	27	32.4	28.07	28.65	29.85	32.08	28	29.6	33.1	29.5	28	32.8	20.2	40.4	44	45.4	49.4	-
FH28 -60S-0.5SH(05)	CL586-1811-6-05	60	29.5	34.9	30.57	31.15	32.35	34.58	30.5	32.1	35.6	32	30.5	35.3	26.2	52.4	56	57.4	61.4	-
FH28D-64S-0.5SH(05)	CL586-1813-1-05	64	31.5	36.9	32.57	33.15	34.35	36.58	32.5	34.1	37.6	34	32.5	37.3	26.2	52.4	56	57.4	61.4	-
FH28D-68S-0.5SH(05)	CL586-1819-8-05	68	33.5	38.9	34.57	35.15	36.35	38.58	34.5	36.1	39.6	36	34.5	39.3	26.2	52.4	56	57.4	61.4	-
FH28D-74S-0.5SH(05)	CL586-1828-9-05	74	36.5	41.9	37.57	38.15	39.35	41.58	37.5	39.1	42.6	39	37.5	42.3	26.2	52.4	56	57.4	61.4	43.3

¹¹ : The specification of (07) is applied to FH28-40S-0.5SH.

HRS	DRAWING NO.	EDC3-353836-01
	PART NO.	FH28-*S-0.5SH(05) FH28D-*S-0.5SH(05)
	CODE NO.	CL586
	△ 4/4	

Mouser Electronics

Authorized Distributor

Click to View Pricing, Inventory, Delivery & Lifecycle Information:

[Hirose Electric:](#)

[FH28-60S-0.5SH\(05\)](#)