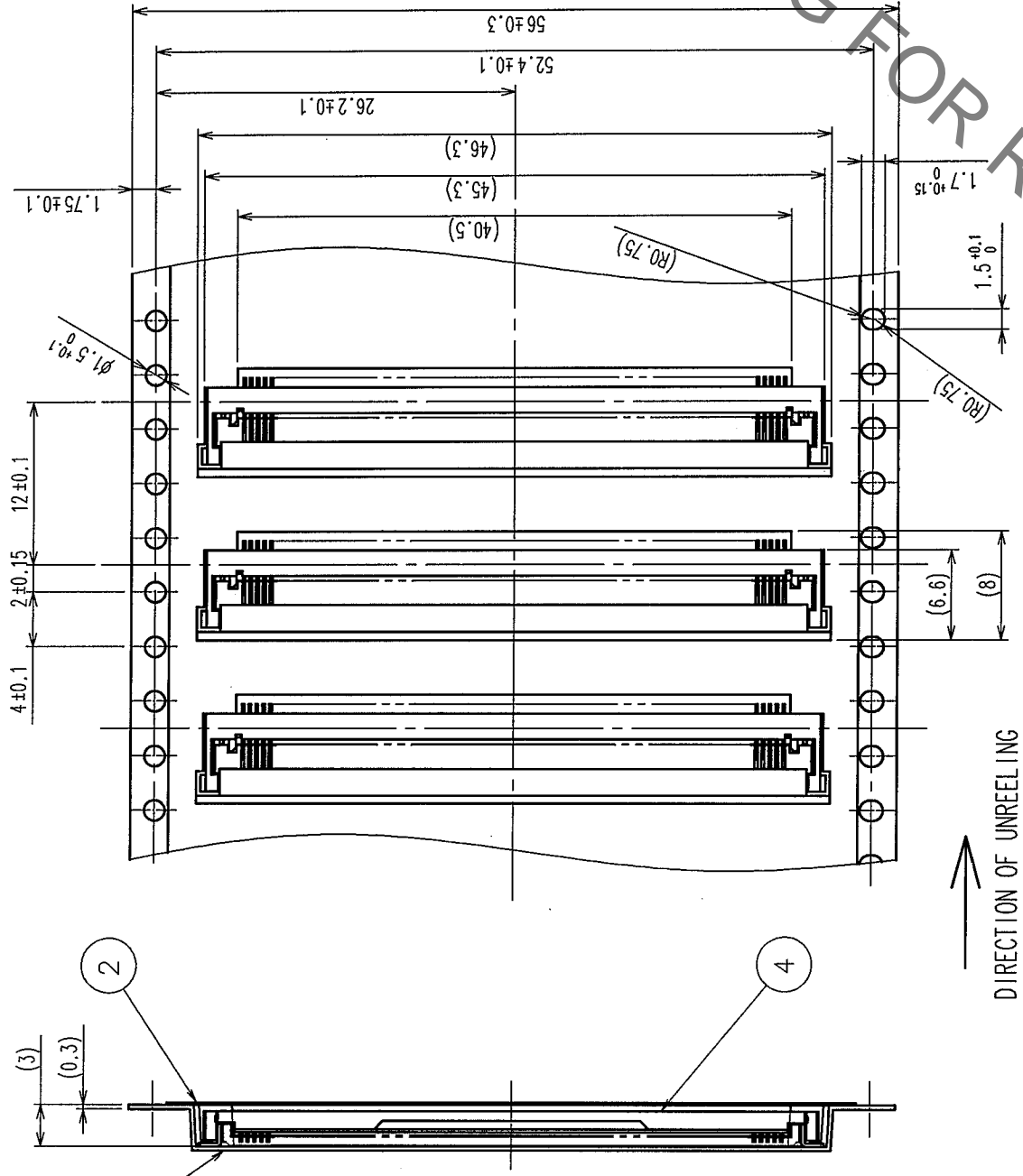
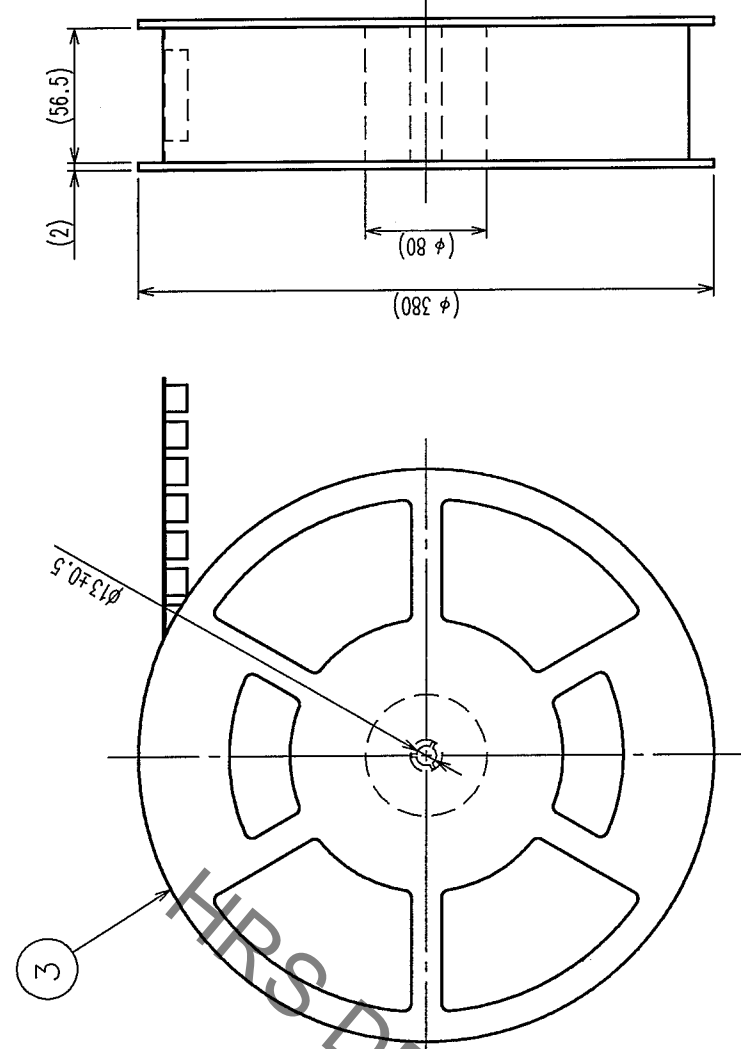
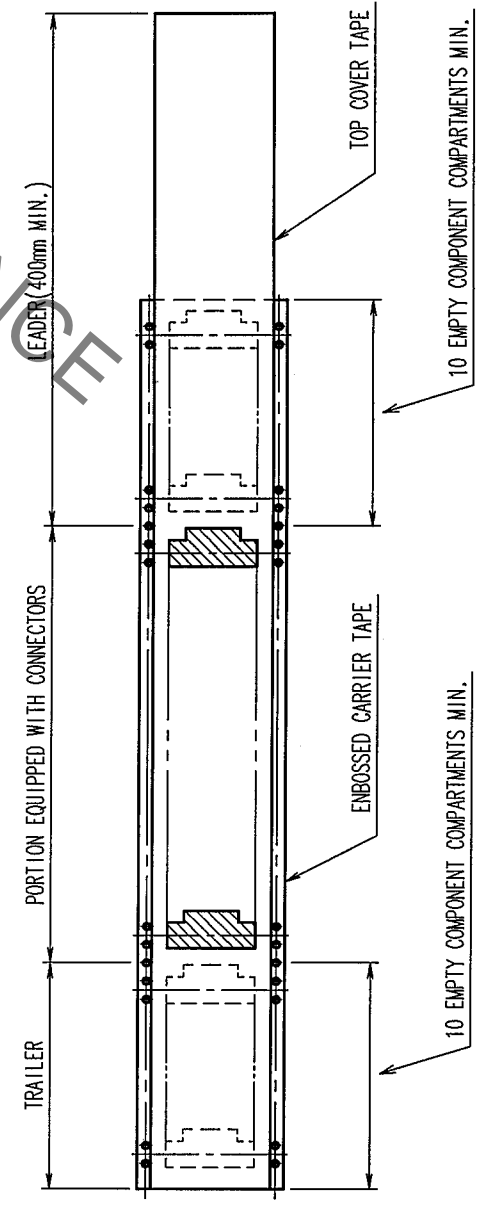


COUNT	DESCRIPTION OF REVISIONS	BY	CHKD	DATE	COUNT	DESCRIPTION OF REVISIONS	BY	CHKD	DATE
△					△				
△					△				
△					△				

REEL DIMENSION (FREE)



- NOTE 1 THE DIMENSIONS IN PARENTHESES ARE FOR REFERENCE.
 2 PER REEL : 2000 CONNECTORS.
 3 REFER TO JIS C 0806 (PACKAGING OF COMPONENTS FOR AUTOMATIC HANDLING).



NO.	MATERIAL	FINISH, REMARKS	NO.	MATERIAL	FINISH, REMARKS
2	POLYESTER		4	(CONNECTOR)	
1	POLYSTYRENE		3	POLYSTYRENE	

CODE NO. (OLD)	CL	DRAWN	DESIGNED	CHECKED	APPROVED	RELEASED
		D. YAMADA	H. TSUKUMO	<i>S. Hatanaka</i>	<i>R. Takayama</i>	
		04-06-08	04-06-08	04-06-08	04-06-08	

DRAWING NO.	PART NO.
EDC3-154339-01	FH28H-80S-0.5SH(05)

SCALE	UNITS	CODE NO.
2 : 1	mm	CL586-1805-3-05

TO	
NC	

Mouser Electronics

Authorized Distributor

Click to View Pricing, Inventory, Delivery & Lifecycle Information:

[Hirose Electric:](#)

[FH28H-80S-0.5SH\(05\)](#)