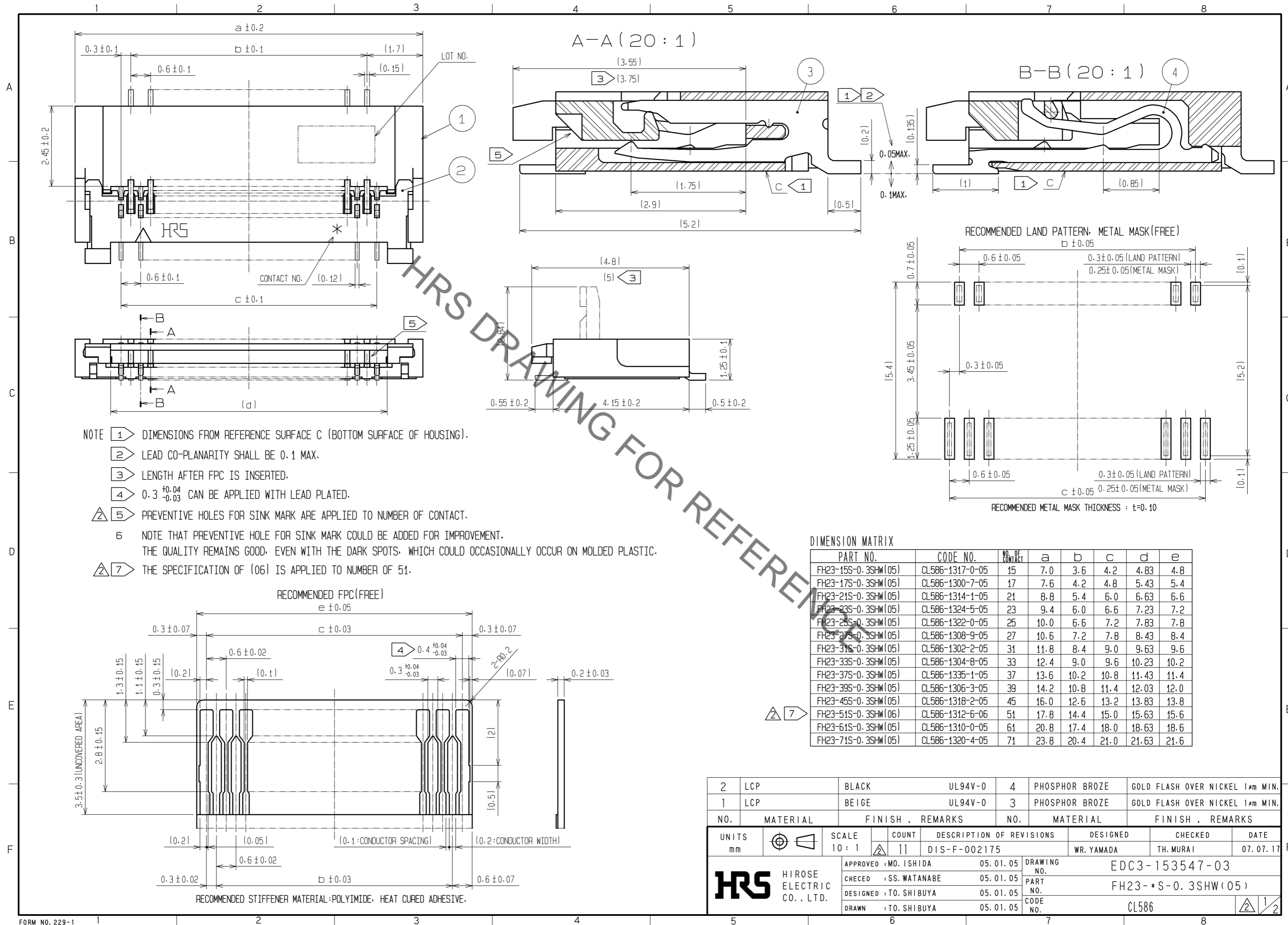
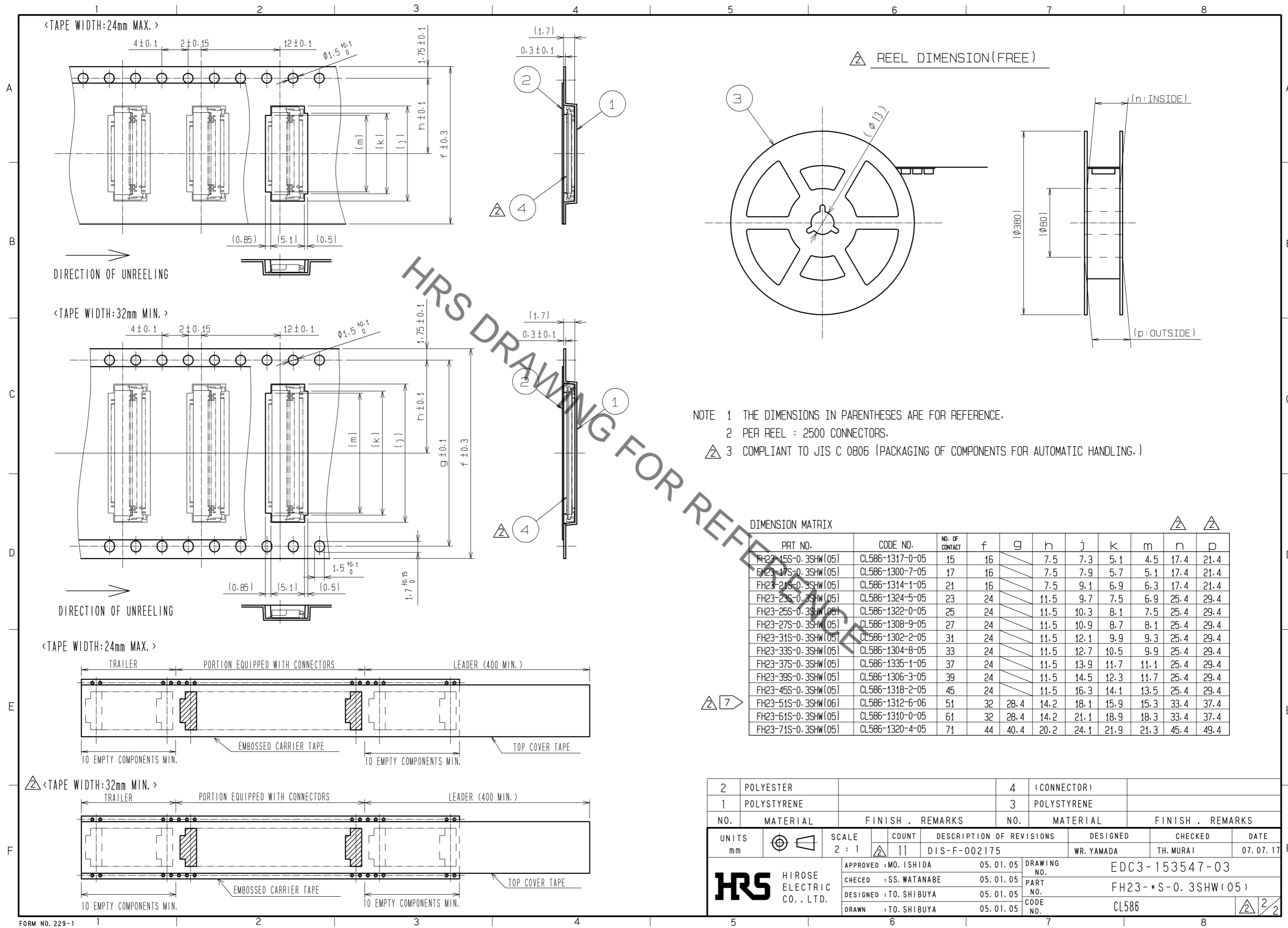


Aug.1.2021 Copyright 2021 HIROSE ELECTRIC CO., LTD. All Rights Reserved.  
In case of consideration for using Automotive equipment / device which demand high reliability, kindly contact our sales window correspondents.



Aug.1.2021 Copyright 2021 HIROSE ELECTRIC CO., LTD. All Rights Reserved.  
 In case of consideration for using Automotive equipment / device which demand high reliability, kindly contact our sales window correspondents.



2	POLYESTER		4	(CONNECTOR)	
1	POLYSTYRENE		3	POLYSTYRENE	
NO.	MATERIAL	FINISH . REMARKS	NO.	MATERIAL	FINISH . REMARKS
UNITS mm		SCALE 2 : 1	COUNT 11	DESCRIPTION OF REVISIONS DIS-F-002175	
APPROVED : MO. ISHIDA 05.01.05			DESIGNED WR. YAMADA	CHECKED TH. MURAI	DATE 07.07.17
CHECED : SS. WATANABE 05.01.05			DRAWING NO. EDC3-153547-03		
DESIGNED : TO. SHIBUYA 05.01.05			PART NO. FH23-*S-0.3SHW(05)		
DRAWN : TO. SHIBUYA 05.01.05			CODE NO. CL586		

# Mouser Electronics

Authorized Distributor

Click to View Pricing, Inventory, Delivery & Lifecycle Information:

[Hirose Electric:](#)

[FH23-71S-0.3SHW\(05\)](#)