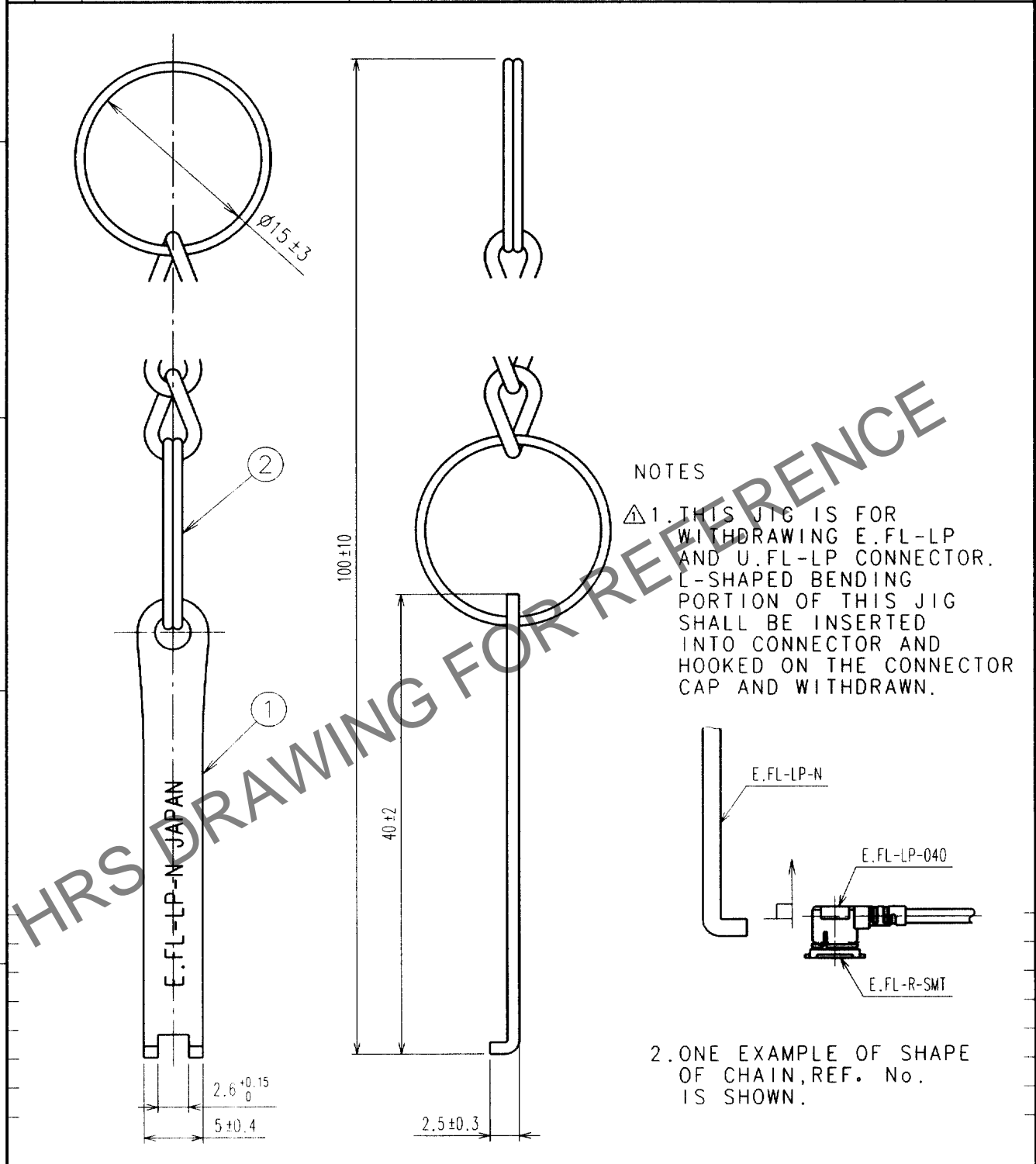
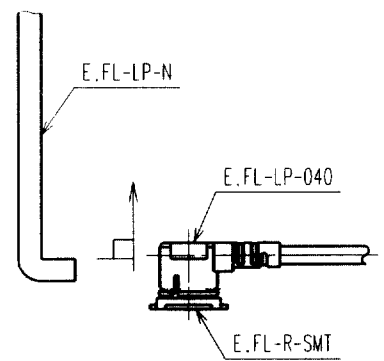


Dec.1.2024 Copyright 2024 HIROSE ELECTRIC CO., LTD. All Rights Reserved.
 In case of consideration for using Automotive equipment / device which demand high reliability, kindly contact our sales window correspondents.

COUNT	DESCRIPTION OF REVISIONS	BY	CHKD	DATE	COUNT	DESCRIPTION OF REVISIONS	BY	CHKD	DATE
△ 1	RE-D-03539	K.I	IM	99.8.23	△				
△					△				
△					△				



NOTES
 △ 1. THIS JIG IS FOR WITHDRAWING E.FL-LP AND U.FL-LP CONNECTOR. L-SHAPED BENDING PORTION OF THIS JIG SHALL BE INSERTED INTO CONNECTOR AND HOOKED ON THE CONNECTOR CAP AND WITHDRAWN.



2. ONE EXAMPLE OF SHAPE OF CHAIN, REF. No. IS SHOWN.

1	STAINLESS STEEL	PASSIVATE	2	STEEL	NICKEL PLATED
NO.	MATERIAL	FINISH, REMARKS	NO.	MATERIAL	FINISH, REMARKS
CODE NO. (OLD) CL		DRAWN T.KOMATU 95.3.28	DESIGNED K.IKEDA 95.3.29	CHECKED I.MITANI 95.3.29	APPROVED F.KOBAYASI 95.3.30
DRAWING NO. EDC4-130574		PART NO. E.FL-LP-N			
SCALE 2 : 1		CODE NO. CL331-0441-9			1/1
UNITS mm		HRS HIROSE ELECTRIC CO., LTD.			

Mouser Electronics

Authorized Distributor

Click to View Pricing, Inventory, Delivery & Lifecycle Information:

[Hirose Electric:](#)

[E.FL-LP-N](#)