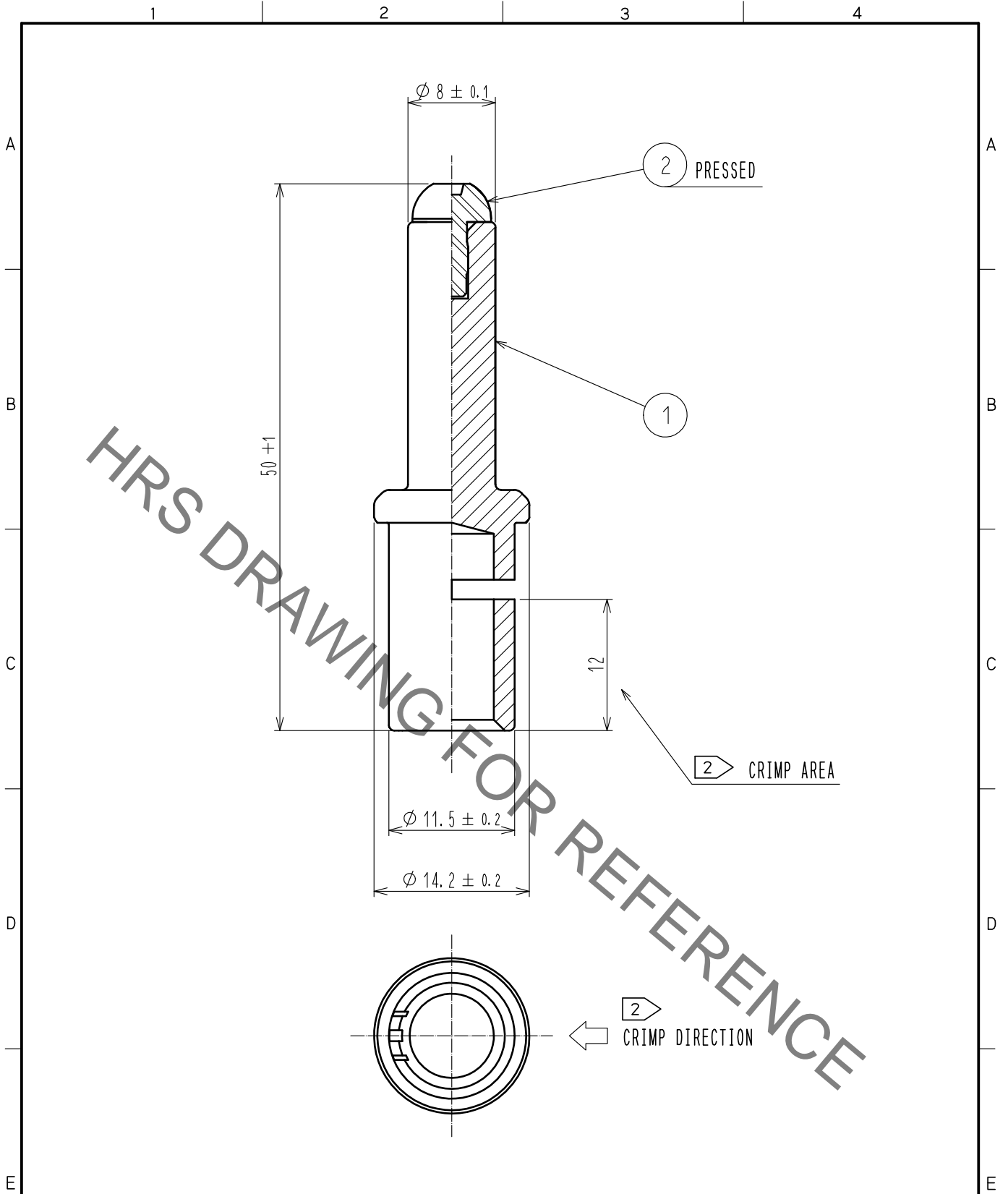


Sep.1.2021 Copyright 2021 HIROSE ELECTRIC CO., LTD. All Rights Reserved.
 In case of consideration for using Automotive equipment / device which demand high reliability, kindly contact our sales window correspondents.



- NOTES
- 1 APPLICABLE CRIMP CONTACT TOOL : JIS C 9711 IZUMI PRODUCTS COMPANY Γ9H-60 J
 - 2 A CRIMP MARK IS CARRIED OUT TO THE CENTER OF CRIMP AREA FROM THE CRIMP DIRECTION.
 - 3 EACH PACK CONTAINS 2 CONTACTS.

1	COPPER ALLOY	SILVER PLATING 3 μm MIN	2	POLYAMID	(BLACK) UL94V-0		
NO.	MATERIAL	FINISH . REMARKS	NO.	MATERIAL	FINISH . REMARKS		
UNITS mm		SCALE 2 : 1	COUNT 	DESCRIPTION OF REVISIONS DIS-C-00000288	DESIGNED HS. KAWASHIMA	CHECKED YH. YAMADA	DATE 15. 05. 26
HRS HIROSE ELECTRIC CO., LTD.	APPROVED	·SU. OBARA	11. 10. 21	DRAWING NO.	EDC4-117459-01		
	CHECKED	·HY. KOBAYASHI	11. 10. 21	PART NO.	EV1-PC1-112<01>		
	DESIGNED	·HS. KAWASHIMA	11. 10. 19	CODE NO.	CL139-0005-1-01		
	DRAWN	·HS. KAWASHIMA	11. 10. 19				

Mouser Electronics

Authorized Distributor

Click to View Pricing, Inventory, Delivery & Lifecycle Information:

[Hirose Electric:](#)

[EV1-PC1-112\(01\)](#)