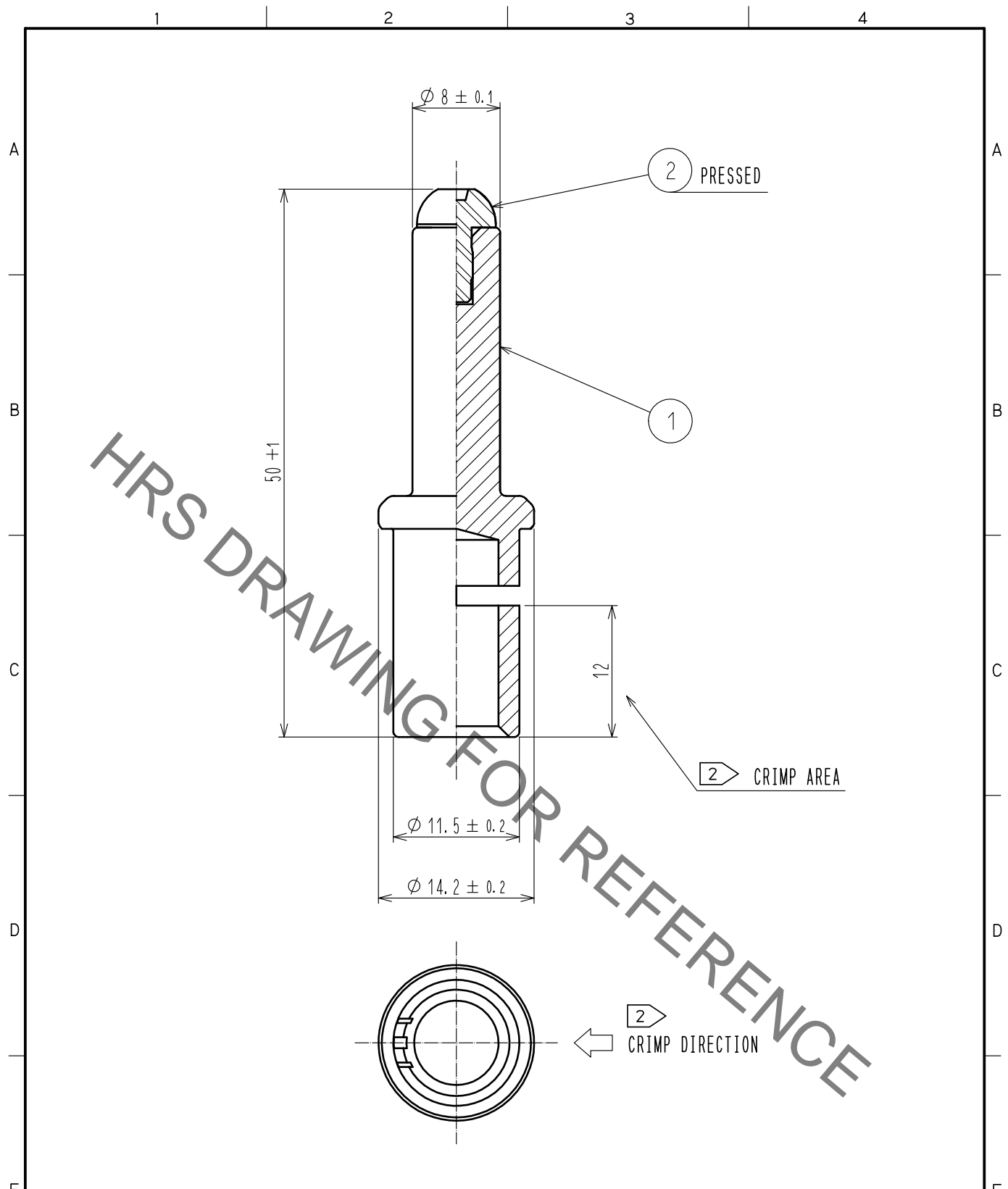


Sep.1.2021 Copyright 2021 HIROSE ELECTRIC CO., LTD. All Rights Reserved.  
In case of consideration for using Automotive equipment / device which demand high reliability, kindly contact our sales window correspondents.



- △ NOTES 1 APPLICABLE CRIMP CONTACT TOOL : JIS C 9711 IZUMI PRODUCTS COMPANY「9H-60」  
 2 A CRIMP MARK IS CARRIED OUT TO THE CENTER OF CRIMP AREA FROM THE CRIMP DIRECTION.

1	COPPER ALLOY △	SILVER PLATING 3 μm MIN	2	POLYAMID	(BLACK) UL94V-0		
NO.	MATERIAL	FINISH . REMARKS	NO.	MATERIAL	FINISH . REMARKS		
UNITS mm		SCALE 2 : 1	COUNT △ 2	DESCRIPTION OF REVISIONS DIS-C-00000288	DESIGNED HS. KAWASHIMA	CHECKED YH. YAMADA	DATE 15. 05. 26
HIROSE ELECTRIC CO., LTD.		APPROVED : SU. OBARA	11. 10. 06	DRAWING NO. EDC4-117459-00			
		CHECKED : HY. KOBAYASHI	11. 10. 06	PART NO. EV1-PC1-112			
		DESIGNED : YH. YAMADA	11. 10. 06	CODE NO. CL139-0005-1-00			
		DRAWN : YH. YAMADA	11. 10. 06	△			

# Mouser Electronics

Authorized Distributor

Click to View Pricing, Inventory, Delivery & Lifecycle Information:

[Hirose Electric:](#)

[EV1-PC1-112](#)