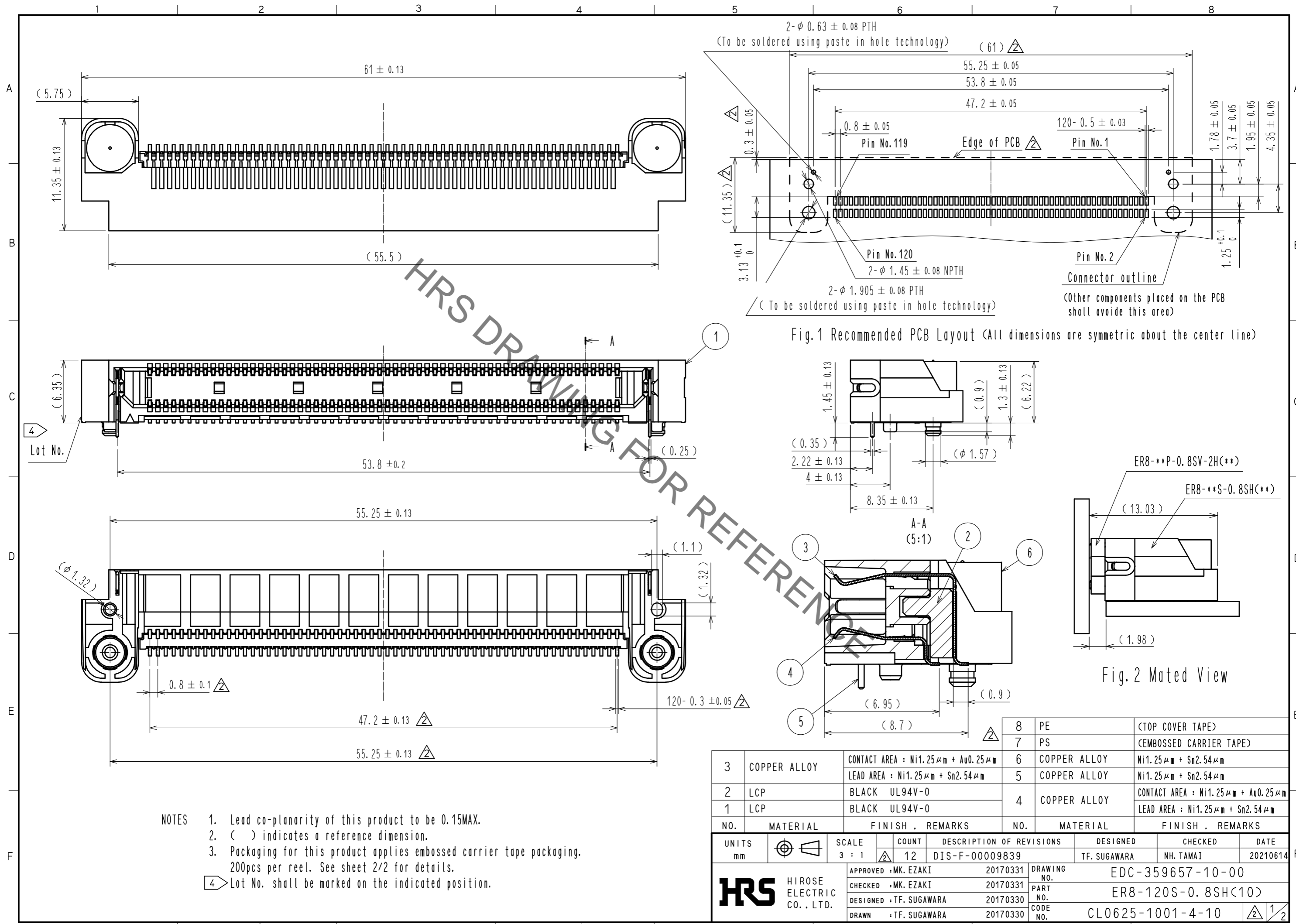


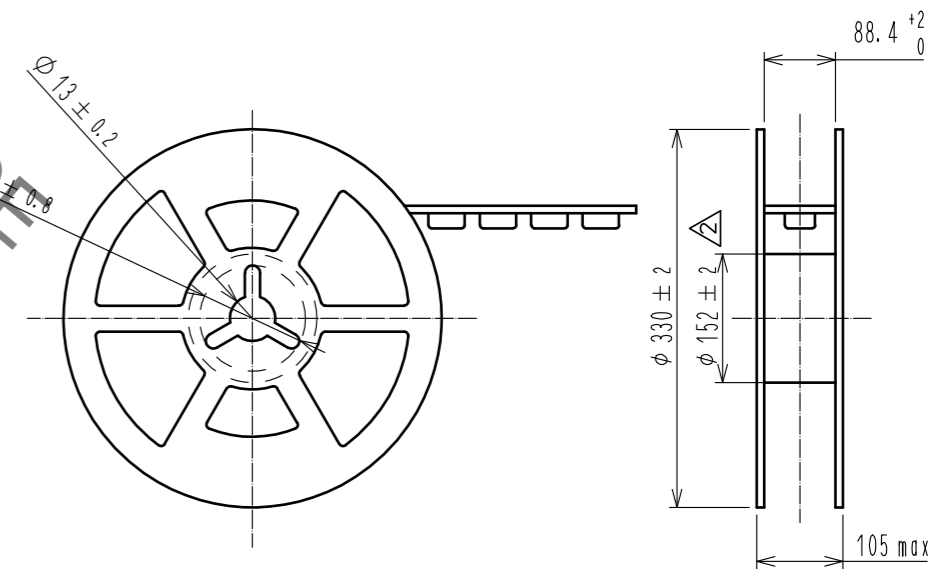
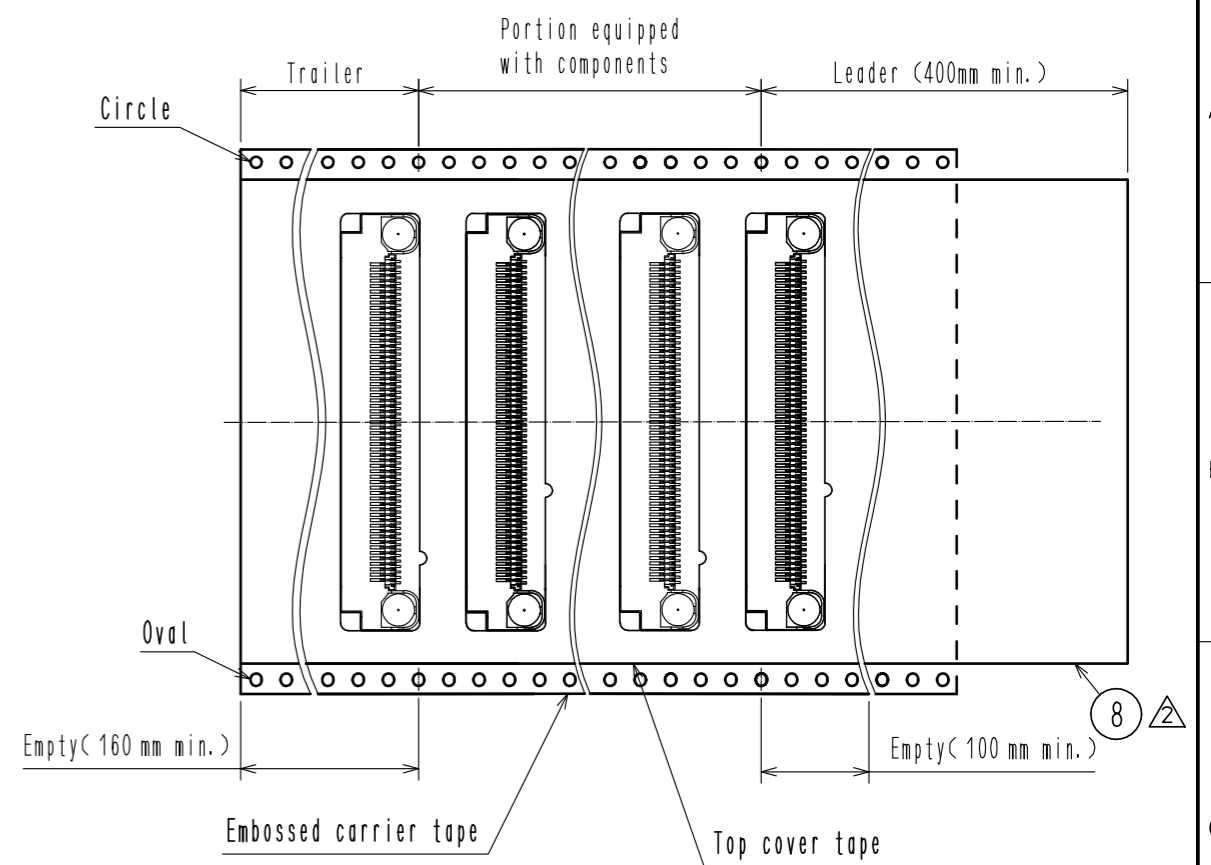
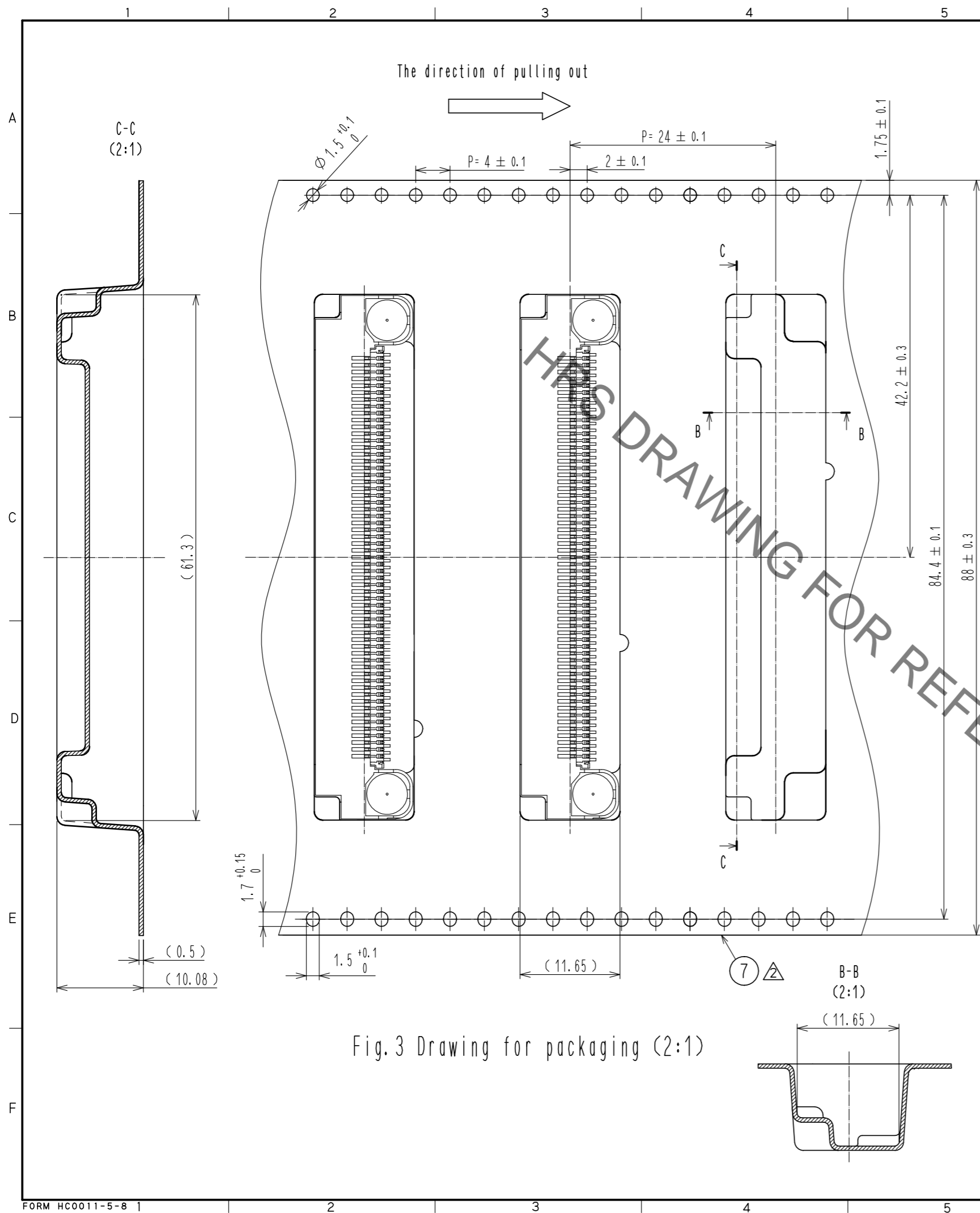
Sep.1.2021 Copyright 2021 HIROSE ELECTRIC CO., LTD. All Rights Reserved.
In case of consideration for using Automotive equipment / device which demand high reliability, kindly contact our sales window correspondents.



- NOTES
- Lead co-planarity of this product to be 0.15MAX.
 - () indicates a reference dimension.
 - Packaging for this product applies embossed carrier tape packaging. 200pcs per reel. See sheet 2/2 for details.
 - Lot No. shall be marked on the indicated position.

3	COPPER ALLOY	CONTACT AREA : Ni1.25μm + Au0.25μm LEAD AREA : Ni1.25μm + Sn2.54μm	6	COPPER ALLOY	Ni1.25μm + Sn2.54μm
2	LCP	BLACK UL94V-0	5	COPPER ALLOY	Ni1.25μm + Sn2.54μm
1	LCP	BLACK UL94V-0	4	COPPER ALLOY	CONTACT AREA : Ni1.25μm + Au0.25μm LEAD AREA : Ni1.25μm + Sn2.54μm
NO.	MATERIAL	FINISH . REMARKS	NO.	MATERIAL	FINISH . REMARKS
8	PE	(TOP COVER TAPE)	8	PE	(TOP COVER TAPE)
7	PS	(EMBOSSD CARRIER TAPE)	7	PS	(EMBOSSD CARRIER TAPE)
UNITS mm		SCALE 3 : 1	COUNT 12	DESCRIPTION OF REVISIONS DIS-F-00009839	
DESIGNED TF. SUGAWARA		DESIGNED TF. SUGAWARA	DESIGNED TF. SUGAWARA	DESIGNED TF. SUGAWARA	DESIGNED TF. SUGAWARA
CHECKED MK. EZAKI		CHECKED MK. EZAKI	CHECKED MK. EZAKI	CHECKED MK. EZAKI	CHECKED MK. EZAKI
DRAWN TF. SUGAWARA		DRAWN TF. SUGAWARA	DRAWN TF. SUGAWARA	DRAWN TF. SUGAWARA	DRAWN TF. SUGAWARA
APPROVED MK. EZAKI		APPROVED MK. EZAKI	APPROVED MK. EZAKI	APPROVED MK. EZAKI	APPROVED MK. EZAKI
DATE 20210614		DATE 20210614	DATE 20210614	DATE 20210614	DATE 20210614
DRAWING NO. EDC-359657-10-00		DRAWING NO. EDC-359657-10-00		DRAWING NO. EDC-359657-10-00	
PART NO. ER8-120S-0.8SH(10)		PART NO. ER8-120S-0.8SH(10)		PART NO. ER8-120S-0.8SH(10)	
CODE NO. CL0625-1001-4-10		CODE NO. CL0625-1001-4-10		CODE NO. CL0625-1001-4-10	

Sep.1.2021 Copyright 2021 HIROSE ELECTRIC CO., LTD. All Rights Reserved.
 In case of consideration for using Automotive equipment / device which demand high reliability, kindly contact our sales window correspondents.



HRS	DRAWING NO.	EDC-359657-10-00
	PART NO.	ER8-120S-0.8SH(10)
	CODE NO.	CL0625-1001-4-10
		2/2

Mouser Electronics

Authorized Distributor

Click to View Pricing, Inventory, Delivery & Lifecycle Information:

[Hirose Electric:](#)

[ER8-120S-0.8SH\(10\)](#)