

Aug.1.2021 Copyright 2021 HIROSE ELECTRIC CO., LTD. All Rights Reserved.
 In case of consideration for using Automotive equipment / device which demand high reliability, kindly contact our sales window correspondents.

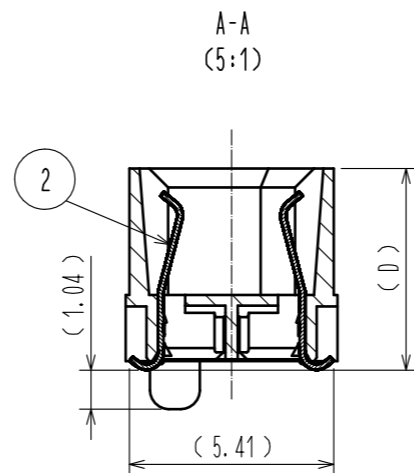


Fig.1 Recommended PCB Layout
 (All dimensions are symmetric about the centerline)

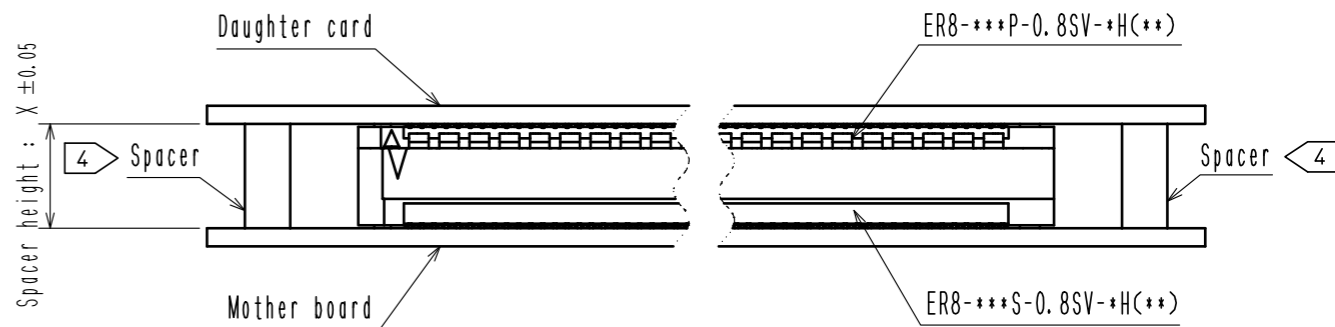
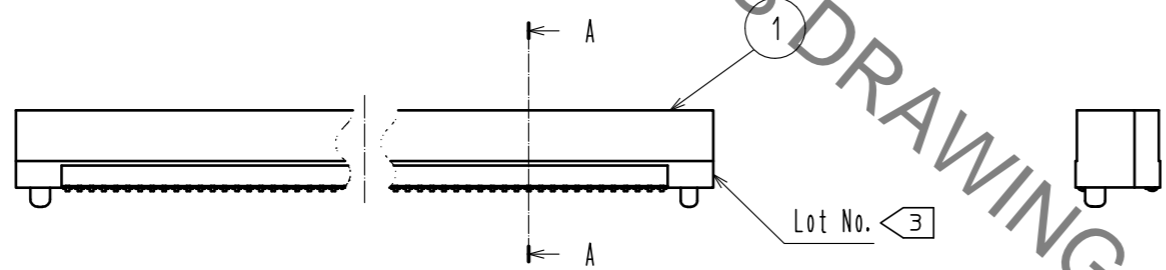
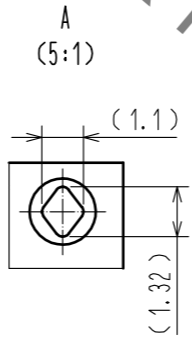
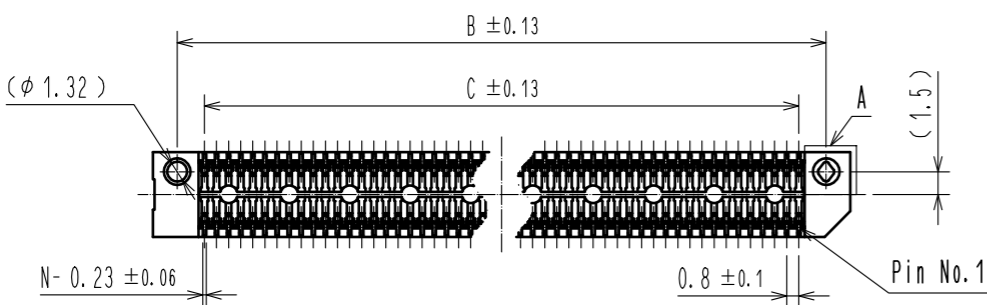


Fig.2 (Free)



- Note.
- Dimensions in parentheses () are for reference.
 - Packaging for this product applies embossed carrier tape packaging. See sheet 2/3 and 3/3 for details.
 - Lot No. shall be marked on the indicated position.
 - The indicated mother board and daughter card shall be gasketed to the additional reinforcements to prevent the stress on ER8-***P-0.8SV-#H(**) and ER8-***S-0.8SV-#H(**).
 - Plating specification are below.

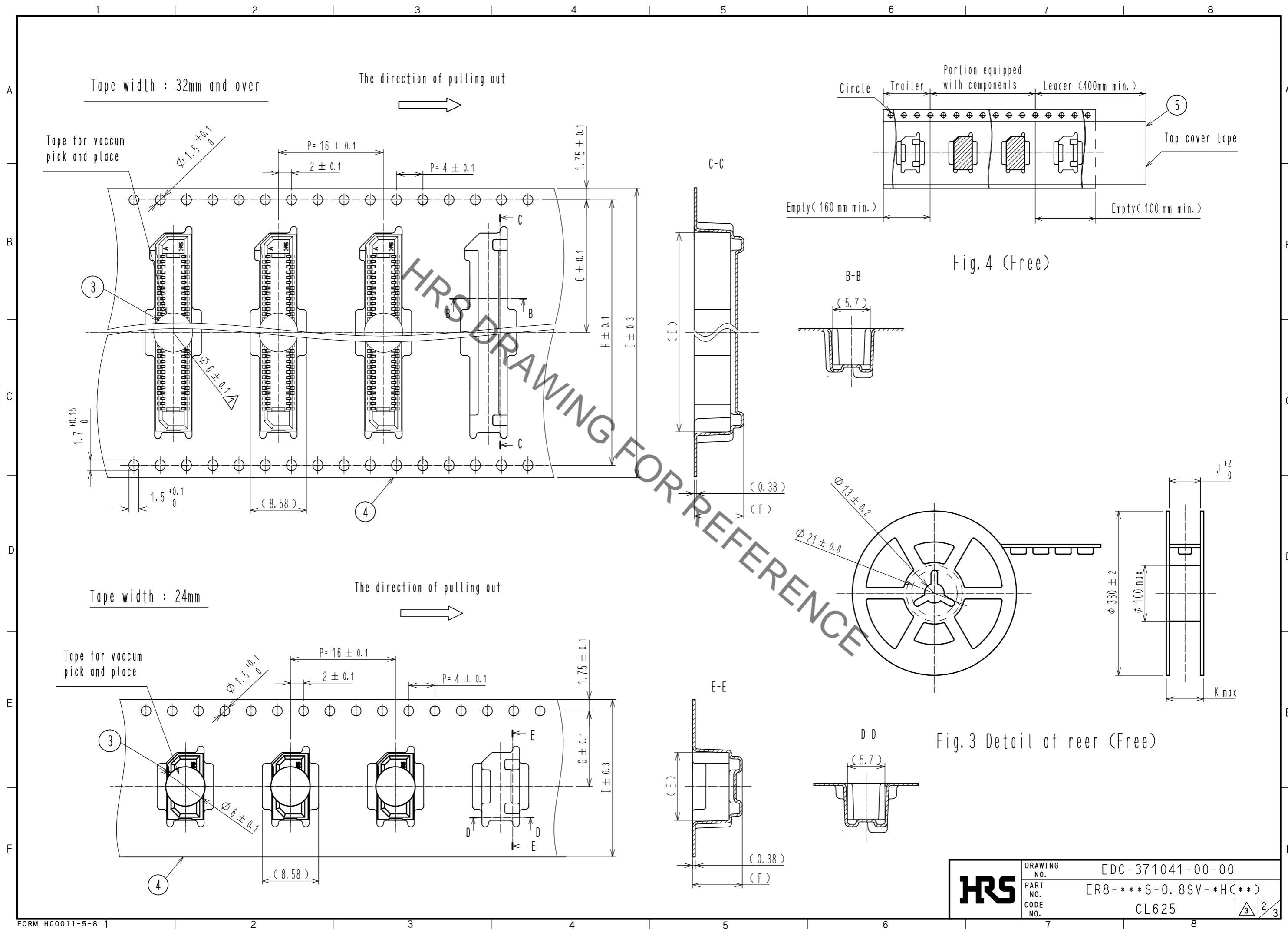
| Part No. | Plating specification |
|-----------------------|--------------------------------------|
| ER8-***S-0.8SV-#H | CONTACT AREA : Ni2.54 μm + Au0.76 μm |
| | LEAD AREA : Ni1.25 μm + Sn3.81 μm |
| ER8-***S-0.8SV-#H(10) | CONTACT AREA : Ni1.25 μm + Au0.25 μm |
| | LEAD AREA : Ni1.25 μm + Sn2.54 μm |

| Receptacle | Plug | Spacer height (X) |
|-----------------------|-----------------------|-------------------|
| ER8-***S-0.8SV-5H(**) | ER8-***P-0.8SV-2H(**) | 7.15 |
| | ER8-***P-0.8SV-5H(**) | 10.15 |
| ER8-***S-0.8SV-7H(**) | ER8-***P-0.8SV-2H(**) | 9.15 |
| | ER8-***P-0.8SV-5H(**) | 12.15 |

Table1 Spacer height

| 3 | POLYIMIDE | (TAPE FOR VACUUM PICK AND PLACE) | 5 | PE | (TOP COVER TAPE) |
|--------------------------|--------------|----------------------------------|--------------------------------|----------|-------------------------|
| 2 | COPPER ALLOY | 5 | 4 | PS | (EMBOSSED CARRIER TAPE) |
| 1 | LCP | BLACK, UL94V-0 | | | |
| NO. | MATERIAL | FINISH, REMARKS | NO. | MATERIAL | FINISH, REMARKS |
| UNITS | mm | SCALE | 2:1 | COUNT | 1 |
| DESCRIPTION OF REVISIONS | | DESIGNED | TF. SUGAWARA | CHECKED | NH. TAMAI |
| DATE | | 20200826 | | | |
| APPROVED : MK. EZAKI | | 20160620 | DRAWING NO. EDC-371041-00-00 | | |
| CHECKED : MK. NAGATA | | 20160620 | PART NO. ER8-***S-0.8SV-#H(**) | | |
| DESIGNED : TF. SUGAWARA | | 20160620 | CODE NO. CL625 | | |
| DRAWN : TF. SUGAWARA | | 20160620 | | | |

Aug.1.2021 Copyright 2021 HIROSE ELECTRIC CO., LTD. All Rights Reserved.
 In case of consideration for using Automotive equipment / device which demand high reliability, kindly contact our sales window correspondents.



| | | |
|------------|-------------|-----------------------|
| HRS | DRAWING NO. | EDC-371041-00-00 |
| | PART NO. | ER8-***S-0.8SV-*H(**) |
| | CODE NO. | CL625 |
| | | 2/3 |

Aug.1.2021 Copyright 2021 HIROSE ELECTRIC CO., LTD. All Rights Reserved.
In case of consideration for using Automotive equipment / device which demand high reliability, kindly contact our sales window correspondents.

| Part No. | Code No. | Contact positions (N) | Dimensions | | | | | | | | | | | Co-planarity | Qty/reel |
|-----------------------|------------------|-----------------------|------------|------|------|-------|------|------|------|------|----|------|------|--------------|----------|
| | | | A | B | C | D | E | F | G | H | I | J | K | | |
| ER8-10S-0.8SV-5H(**) | CL625-0007-5-**- | 10 | 10 | 6.8 | 3.2 | 5.335 | 10.3 | 7.55 | 11.5 | - | 24 | 24.4 | 30.4 | 0.1 Max | 475 |
| ER8-20S-0.8SV-5H(**) | CL625-0014-0-**- | 20 | 14 | 10.8 | 7.2 | 5.335 | 14.3 | 7.55 | 14.2 | 28.4 | 32 | 32.4 | 38.4 | 0.1 Max | 500 |
| ER8-30S-0.8SV-5H(**) | CL625-0015-0-**- | 30 | 18 | 14.8 | 11.2 | 5.335 | 18.3 | 7.55 | 20.2 | 40.4 | 44 | 44.4 | 50.4 | 0.1 Max | 475 |
| ER8-40S-0.8SV-5H(**) | CL625-0016-0-**- | 40 | 22 | 18.8 | 15.2 | 5.335 | 22.3 | 7.55 | 20.2 | 40.4 | 44 | 44.4 | 50.4 | 0.1 Max | 375 |
| ER8-50S-0.8SV-5H(**) | CL625-0010-0-**- | 50 | 26 | 22.8 | 19.2 | 5.335 | 26.3 | 7.55 | 20.2 | 40.4 | 44 | 44.4 | 50.4 | 0.1 Max | 375 |
| ER8-60S-0.8SV-5H(**) | CL625-0018-0-**- | 60 | 30 | 26.8 | 23.2 | 5.335 | 30.3 | 7.55 | 20.2 | 40.4 | 44 | 44.4 | 50.4 | 0.1 Max | 375 |
| ER8-70S-0.8SV-5H(**) | CL625-0032-0-**- | 70 | 34 | 30.8 | 27.2 | 5.335 | 34.3 | 7.55 | 26.2 | 52.4 | 56 | 56.4 | 62.4 | 0.12 Max | 375 |
| ER8-80S-0.8SV-5H(**) | CL625-0033-0-**- | 80 | 38 | 34.8 | 31.2 | 5.335 | 38.3 | 7.55 | 26.2 | 52.4 | 56 | 56.4 | 62.4 | 0.12 Max | 375 |
| ER8-100S-0.8SV-5H(**) | CL625-0034-0-**- | 100 | 46 | 42.8 | 39.2 | 5.335 | 46.3 | 7.55 | 34.2 | 68.4 | 72 | 72.4 | 89 | 0.12 Max | 375 |
| ER8-120S-0.8SV-5H(**) | CL625-0035-0-**- | 120 | 54 | 50.8 | 47.2 | 5.335 | 54.3 | 7.55 | 34.2 | 68.4 | 72 | 72.4 | 89 | 0.12 Max | 375 |
| ER8-10S-0.8SV-7H(**) | CL625-0036-0-**- | 10 | 10 | 6.8 | 3.2 | 7.25 | 10.3 | 9.45 | 11.5 | - | 24 | 24.4 | 30.4 | 0.1 Max | 400 |
| ER8-20S-0.8SV-7H(**) | CL625-0037-0-**- | 20 | 14 | 10.8 | 7.2 | 7.25 | 14.3 | 9.45 | 14.2 | 28.4 | 32 | 32.4 | 38.4 | 0.1 Max | 375 |
| ER8-30S-0.8SV-7H(**) | CL625-0038-0-**- | 30 | 18 | 14.8 | 11.2 | 7.25 | 18.3 | 9.45 | 20.2 | 40.4 | 44 | 44.4 | 50.4 | 0.1 Max | 400 |
| ER8-40S-0.8SV-7H(**) | CL625-0039-0-**- | 40 | 22 | 18.8 | 15.2 | 7.25 | 22.3 | 9.45 | 20.2 | 40.4 | 44 | 44.4 | 50.4 | 0.1 Max | 300 |
| ER8-50S-0.8SV-7H(**) | CL625-0040-0-**- | 50 | 26 | 22.8 | 19.2 | 7.25 | 26.3 | 9.45 | 20.2 | 40.4 | 44 | 44.4 | 50.4 | 0.1 Max | 300 |
| ER8-60S-0.8SV-7H(**) | CL625-0041-0-**- | 60 | 30 | 26.8 | 23.2 | 7.25 | 30.3 | 9.45 | 26.2 | 52.4 | 56 | 56.4 | 62.4 | 0.1 Max | 300 |
| ER8-70S-0.8SV-7H(**) | CL625-0042-0-**- | 70 | 34 | 30.8 | 27.2 | 7.25 | 34.3 | 9.45 | 26.2 | 52.4 | 56 | 56.4 | 62.4 | 0.12 Max | 300 |
| ER8-80S-0.8SV-7H(**) | CL625-0043-0-**- | 80 | 38 | 34.8 | 31.2 | 7.25 | 38.3 | 9.45 | 26.2 | 52.4 | 56 | 56.4 | 62.4 | 0.12 Max | 300 |
| ER8-100S-0.8SV-7H(**) | CL625-0044-0-**- | 100 | 46 | 42.8 | 39.2 | 7.25 | 46.3 | 9.45 | 34.2 | 68.4 | 72 | 72.4 | 89 | 0.12 Max | 300 |
| ER8-120S-0.8SV-7H(**) | CL625-0045-0-**- | 120 | 54 | 50.8 | 47.2 | 7.25 | 54.3 | 9.45 | 34.2 | 68.4 | 72 | 72.4 | 89 | 0.12 Max | 300 |

Table2 Dimensions

| | | |
|------------|-------------|-----------------------|
| HRS | DRAWING NO. | EDC-371041-00-00 |
| | PART NO. | ER8-***S-0.8SV-*H(**) |
| | CODE NO. | CL625 |
| | | 3/3 |

Mouser Electronics

Authorized Distributor

Click to View Pricing, Inventory, Delivery & Lifecycle Information:

[Hirose Electric:](#)

[ER8-30S-0.8SV-7H](#)