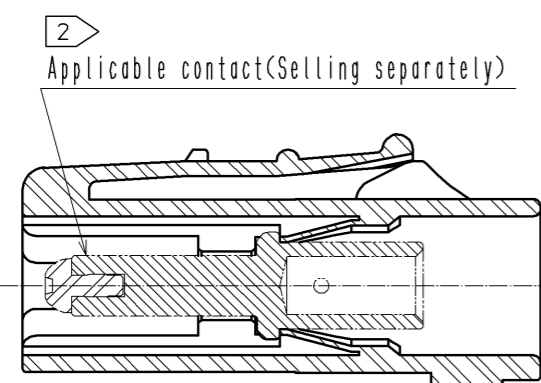
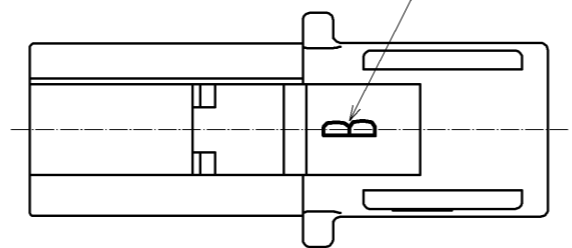


Sep.1.2021 Copyright 2021 HIROSE ELECTRIC CO., LTD. All Rights Reserved.
 In case of consideration for using Automotive equipment / device which demand high reliability, kindly contact our sales window correspondents.

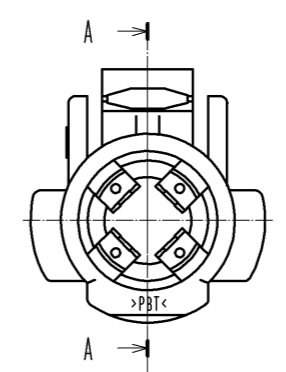
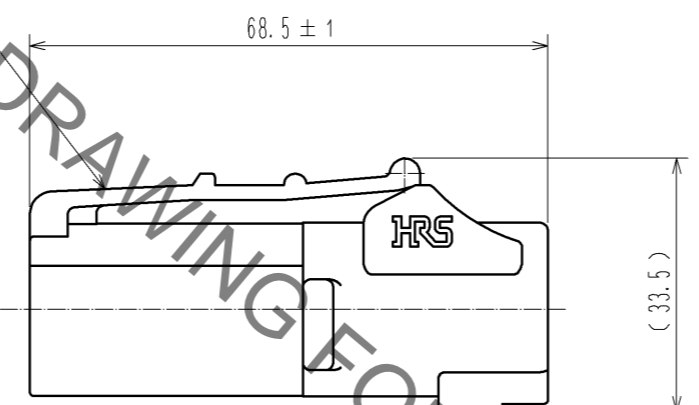
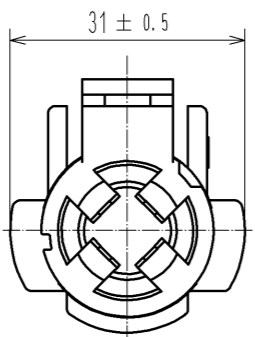
The state applicable contact assembled



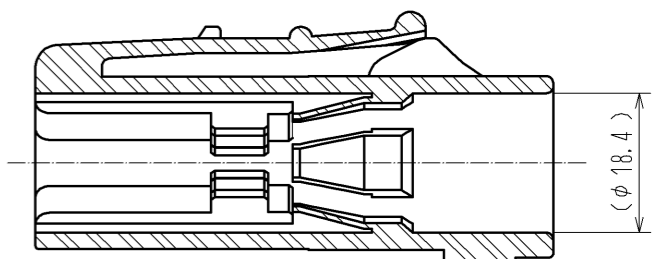
Mating mark



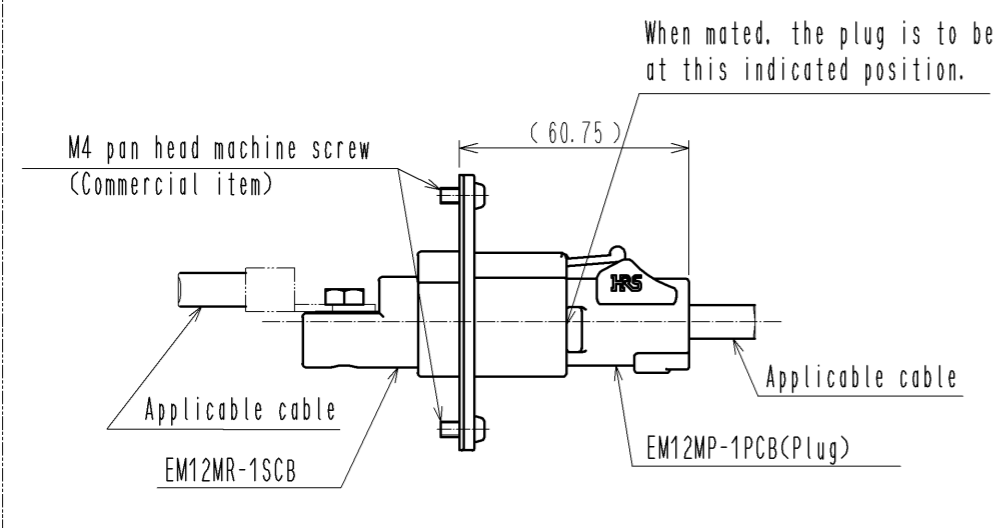
- Notes
- ⚠ WARNING 1 This connector is not hot pluggable.
 - ② Applicable crimp contacts:
 EV1-PC-112(02)(CL139-0004-9-02) or
 EV1-PC1-112(02)(CL139-0005-1-02)
 - ⚠ WARNING ③ Make sure that the connector is inserted to the end and locked when mated. Confirm that the connector is not unintentionally released by pulling the cable with light force to prevent incomplete mating condition.



A-A



Dimension in mated condition (1:2)



HRS DRAWING FOR REFERENCE

1	PBT	UL94V-0 (Black)					
NO.	MATERIAL	FINISH . REMARKS	NO.	MATERIAL	FINISH . REMARKS		
UNITS	⊙	SCALE	COUNT	DESCRIPTION OF REVISIONS		DESIGNED	CHECKED
mm		1 : 1	△				
HRS HIROSE ELECTRIC CO., LTD.		APPROVED : SU. OBARA	14. 02. 04	DRAWING NO. EDC3-118307-00			
		CHECKED : HY. KOBAYASHI	14. 02. 04	PART NO. EM12MP-1PCB			
		DESIGNED : HS. KAWASHIMA	14. 02. 04	CODE NO. CL138-0033-0-00			
		DRAWN : HS. KAWASHIMA	14. 02. 04			△ 1/1	

Mouser Electronics

Authorized Distributor

Click to View Pricing, Inventory, Delivery & Lifecycle Information:

[Hirose Electric:](#)

[EM12MP-1PCB](#)