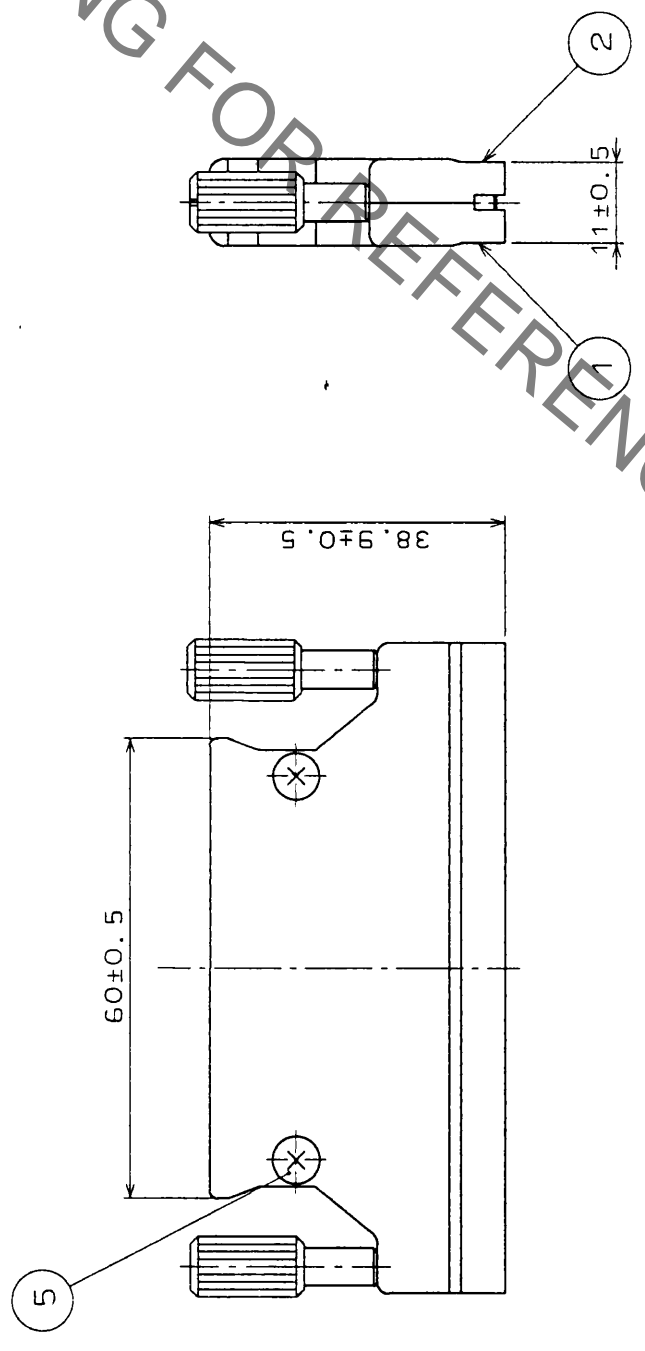
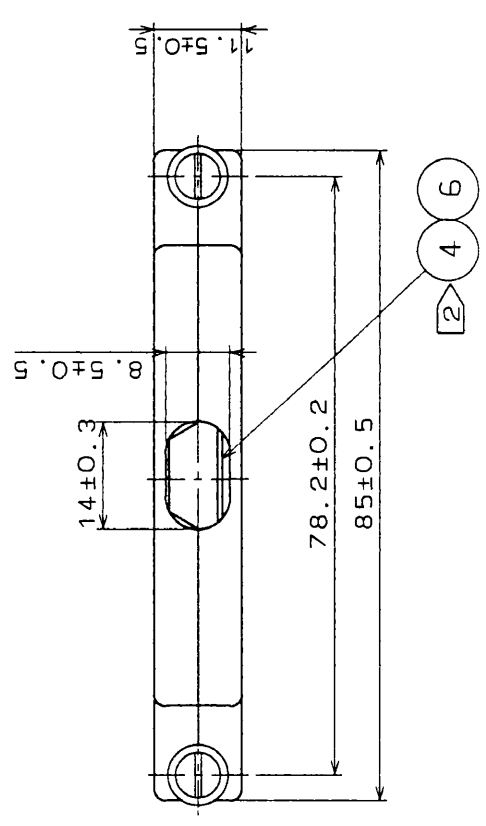


In case of consideration for using Automotive equipment / device which demand high reliability, kindly contact our sales window correspondents.

訂正回数 COUNT	訂正記号 DESCRIPTION	訂正者 BY	訂正日 DATE	訂正回数 COUNT	訂正記号 DESCRIPTION	訂正者 BY	訂正日 DATE
△				△			
△				△			
△				△			



Note 1. The dimensions in the parenthesis are reference.
 ② Parts No. 4 and 6 are packaged.

部番 No.	材料	製造	検査	承認	備考	部番 No.	材料	製造	検査	承認	備考
3	Steel	Nickel plated	6	Brass	Nickel plated						
2	Zinc alloy die cast	Silver burning coating	5	Brass	Nickel plated						
1	Zinc alloy die cast	Silver burning coating	4	Stainless steel							

一般公差 GENERAL DIMENSION TOLERANCE	旧製品コード CODE No. (OLD)	製図 DRAWN	検査 CHECKED	承認 APPROVED	発行 ISSUED
寸法区分 OVER TO		Shimizu T. Aso 7.15.91	Shimizu T. Aso 7.15.91	Shimizu T. Aso 7.15.91	Shimizu T. Aso 7.15.91
6	±0.3				
18	±0.5				
50	±0.7				
125	±1				
250	±1.3				
500	±2				
角度 ANGULAR	±1				

製図 DRAWING No.	承認 APPROVED
ADC3-27202	Shimizu T. Aso 7.15.91
製品名 PART No.	発行 ISSUED
DX-100-CV1	7.15.91
承認 FOR APPROVAL	

単位
UNITS

mm

1:1

HIROSE ELECTRIC CO., LTD.

CL230-0044-4

影写機
T O

Q 1

Mouser Electronics

Authorized Distributor

Click to View Pricing, Inventory, Delivery & Lifecycle Information:

[Hirose Electric:](#)

[DX-100-CV1](#)