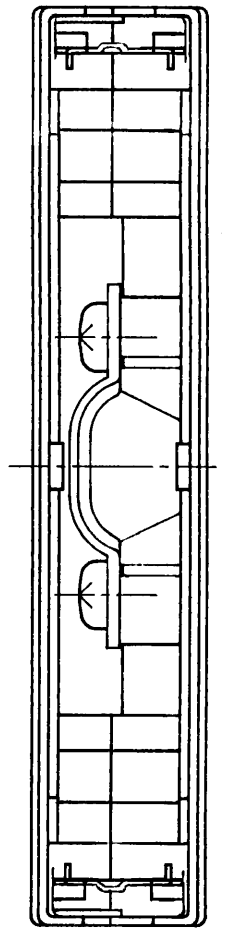
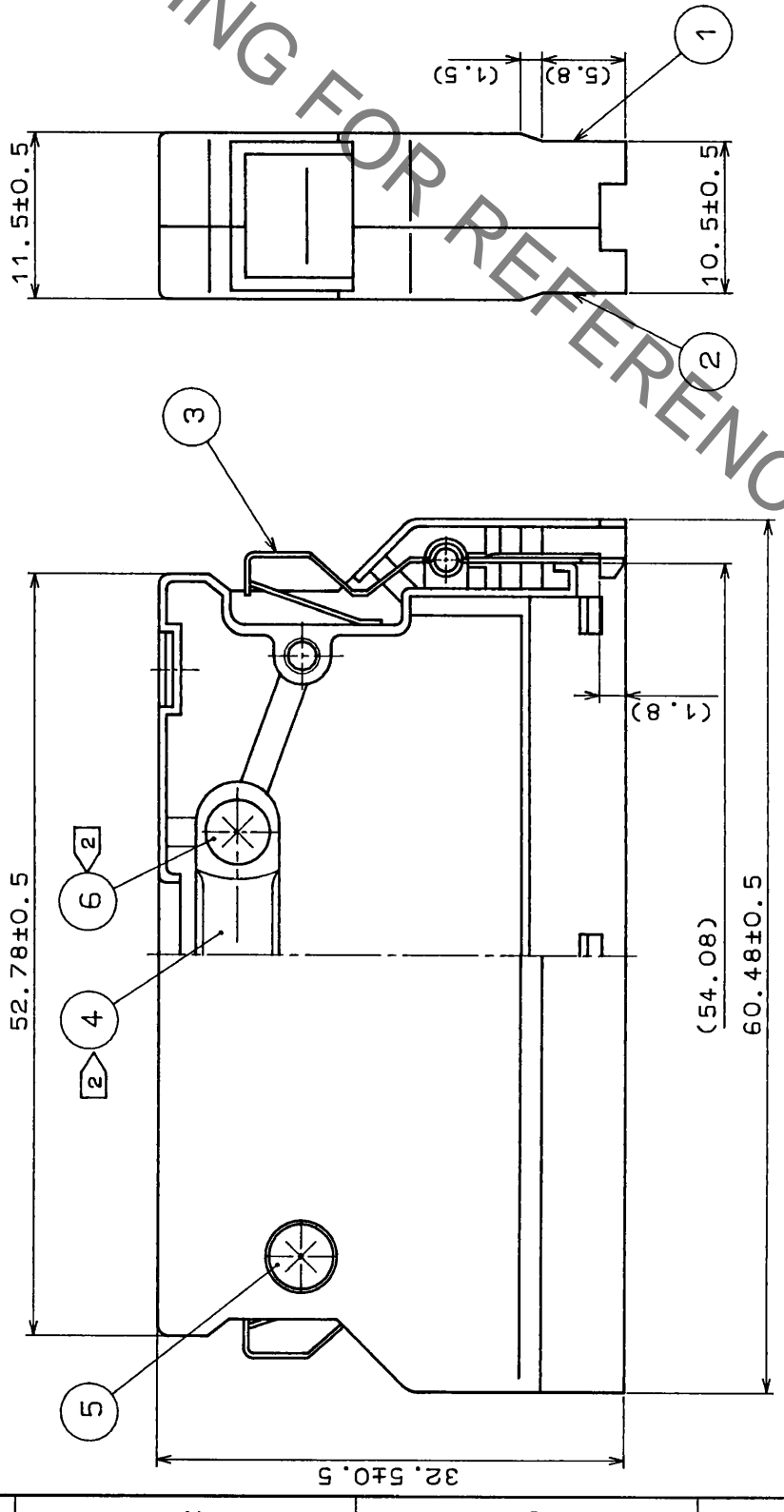
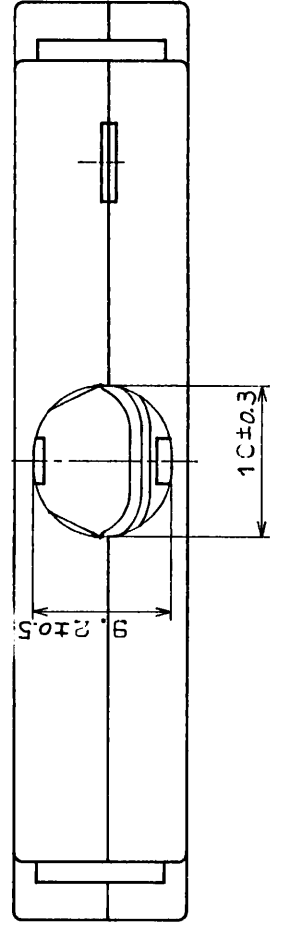


5	6	7	8
△	△	△	△
△	△	△	△
△	△	△	△
△	△	△	△

A B C D E



Note 1. Dimension in ( ) is for reference.  
 2 Drawing No. and are accessories.

HRS DRAWING FOR REFERENCE

3	4	5	6	7	8
Stainless steel	Silver baking finish	Brass	Nickel plated		
Zinc alloy diecast	Silver baking finish	Brass	Nickel plated		
Zinc alloy diecast	Silver baking finish	Stainless steel			
No.	MATERIAL	FINISH, REMARKS	No.	MATERIAL	FINISH, REMARKS
APPROVED	M. Kawamura	9.28.87	GENERAL DIMENSION TOLERANCE		
REVIEWED			6 or less	±0.3	
CHECKED	S. Kikuta	9.28.87	over 6 to 18	±0.5	
DESIGNED	M. Nakamura	9.26.87	over 18 to 50	±0.7	
DRAWN	A. Sato	9.26.87	over 50 to 125	±1	
DRAWING NO.	ADC3-27723-		over 125 to 250	±1.3	
			ANGULAR	±1°	
			UNITS	SCALE	ISSUED BY
			mm	2 : 1	HRS HIROSE ELECTRIC CO., LTD.
					PART NO. DX-68-CV
					CODE NO. CL230-0040-3-

1 2 3 4 5 6 7 8

# Mouser Electronics

Authorized Distributor

Click to View Pricing, Inventory, Delivery & Lifecycle Information:

[Hirose Electric:](#)

[DX-68-CV](#)