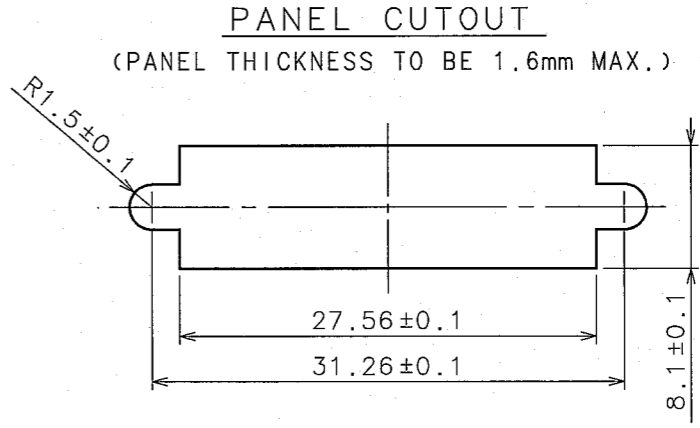
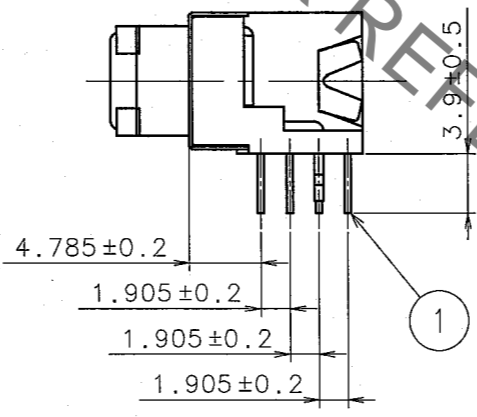
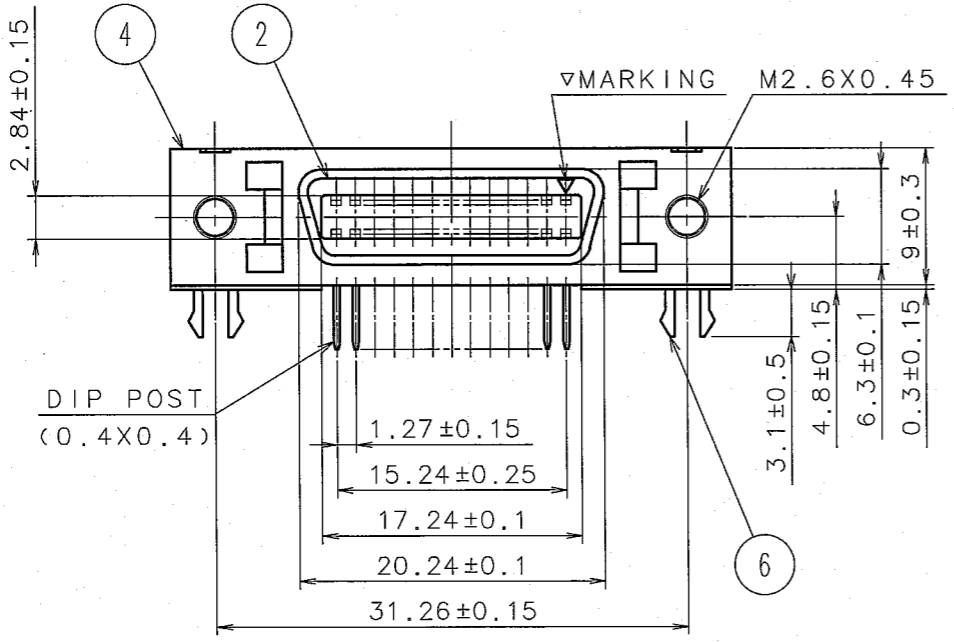
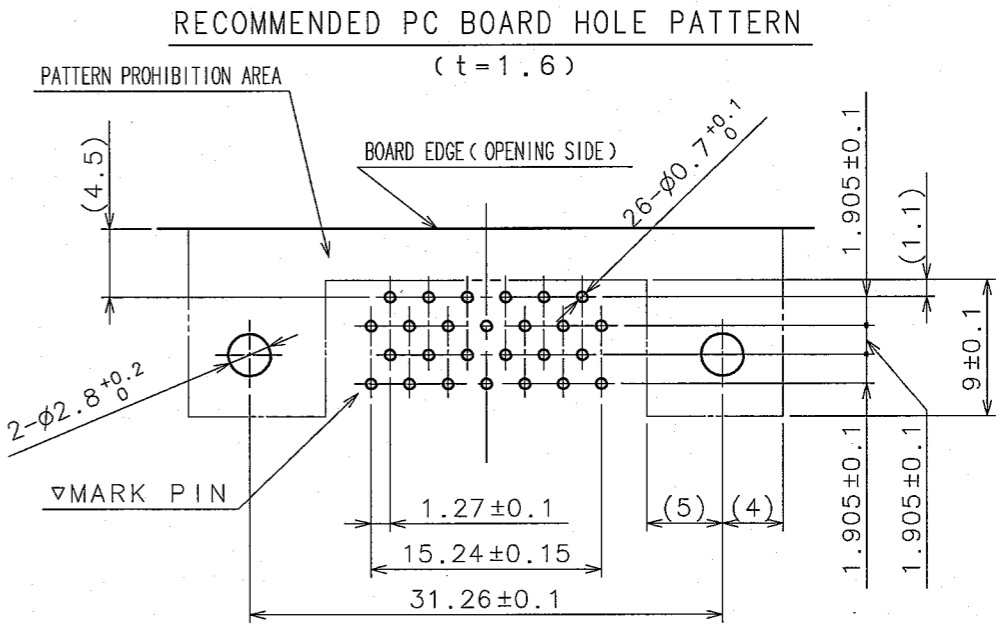
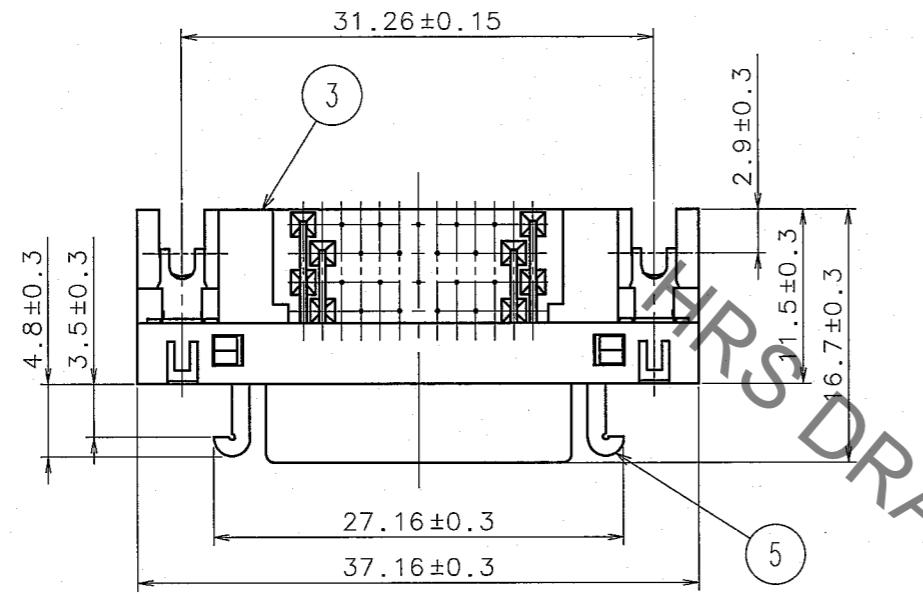


Sep.1.2021 Copyright 2021 HIROSE ELECTRIC CO., LTD. All Rights Reserved.  
In case of consideration for using Automotive equipment / device which demand high reliability, kindly contact our sales window correspondents.

COUNT	DESCRIPTION OF REVISIONS	BY	CHKD	DATE	COUNT	DESCRIPTION OF REVISIONS	BY	CHKD	DATE



3	PBT	(BLACK) UL94V-0	6	BRASS	TIN PLATING
2	PBT	(BLACK) UL94V-0	5	STEEL	NICKEL PLATING
1	PHOSPHOR BRONZE	SELECTIVE GOLD FLASH PLATING	4	STEEL	NICKEL PLATING
NO.	MATERIAL	FINISH, REMARKS	NO.	MATERIAL	FINISH, REMARKS

CODE NO. (OLD)	DRAWN	DESIGNED	CHECKED	APPROVED	RELEASED
	<i>T. Kameya</i>	<i>T. Kameya</i>	<i>Y. Enami</i>	<i>X. Miwa</i>	
	03.10.10	03.10.10	03.10.15	03.10.15	

SCALE 2 : 1	DRAWING NO. EDC3-120259-01	PART NO. DX10G1M-26SE(50)
UNITS mm	<b>HRS</b> HIROSE ELECTRIC CO., LTD	CODE NO. CL230-5212-4-50

TO
Q

# Mouser Electronics

Authorized Distributor

Click to View Pricing, Inventory, Delivery & Lifecycle Information:

[Hirose Electric:](#)

[DX10G1M-26SE\(50\)](#)