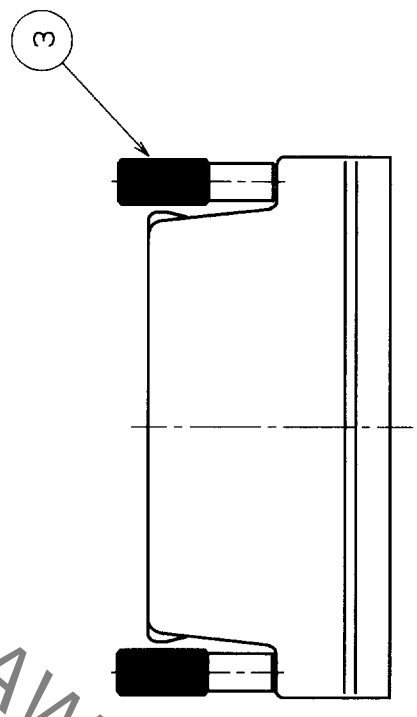
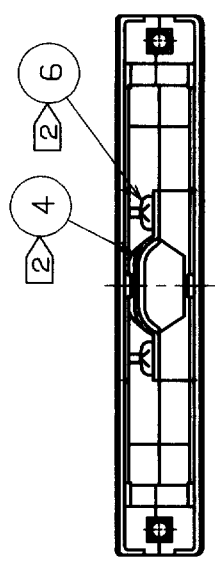
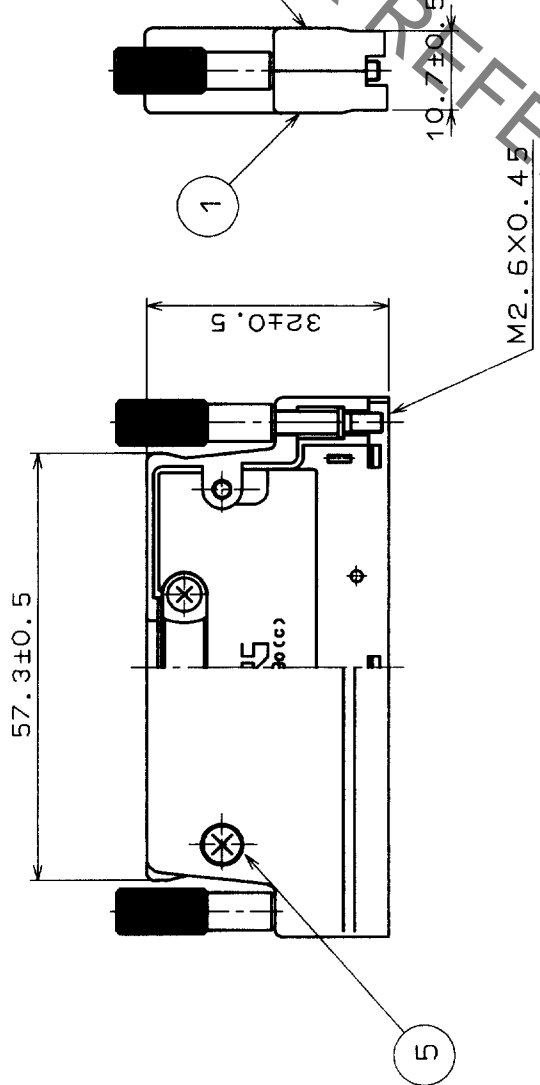
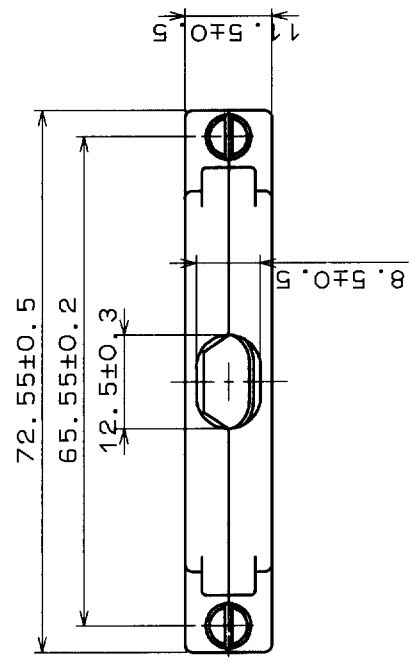


COUNT	DESCRIPTION OF REVISIONS	BY	CHKD	DATE	COUNT	DESCRIPTION OF REVISIONS	BY	CHKD	DATE
△					△				
△					△				
△					△				



HRS DRAWING FOR REFERENCE

NOTES: 1. THE DIMENSIONS IN PARENTHESES ARE FOR REFERENCE.
 2. COMPONENTS OF REF. NO. ④ AND ⑥ ARE APPENDED PRODUCTS.

3	STEEL	NICKEL PLATING	6	BRASS	NICKEL PLATING
2	ZINC ALLOY DIE CASTING	SILVER BURNING COATING	5	BRASS	NICKEL PLATING
1	ZINC ALLOY DIE CASTING	SILVER BURNING COATING	4	STAINLESS STEEL	
NO.	MATERIAL	FINISH, REMARKS	NO.	MATERIAL	FINISH, REMARKS
CODE NO. (OLD)		DRAWN	DESIGNED	CHECKED	APPROVED
		K. Kubuchi		H. Tanaka	
		'98.05.22		'98.05.23	
		PART NO.		DX30M-80-CV2	
DRAWING NO.		EDC3-040395		CODE NO.	
SCALE		1 : 1		CL230-5060-8	
UNITS		m.m		1 / 1	

T0
 Q1
 USA

Mouser Electronics

Authorized Distributor

Click to View Pricing, Inventory, Delivery & Lifecycle Information:

[Hirose Electric:](#)

[DX30M-80-CV2](#)