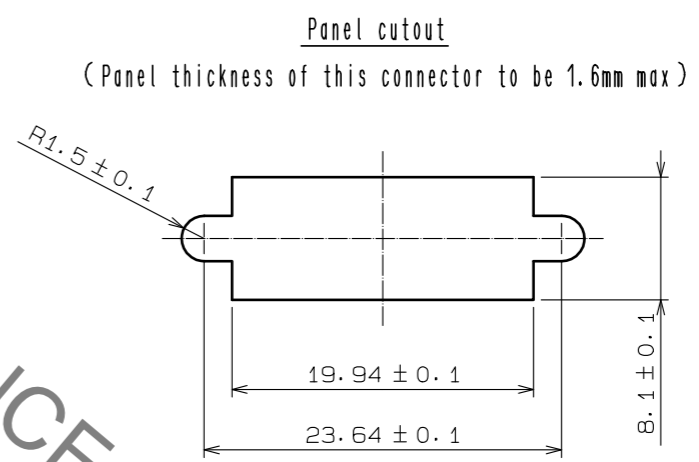
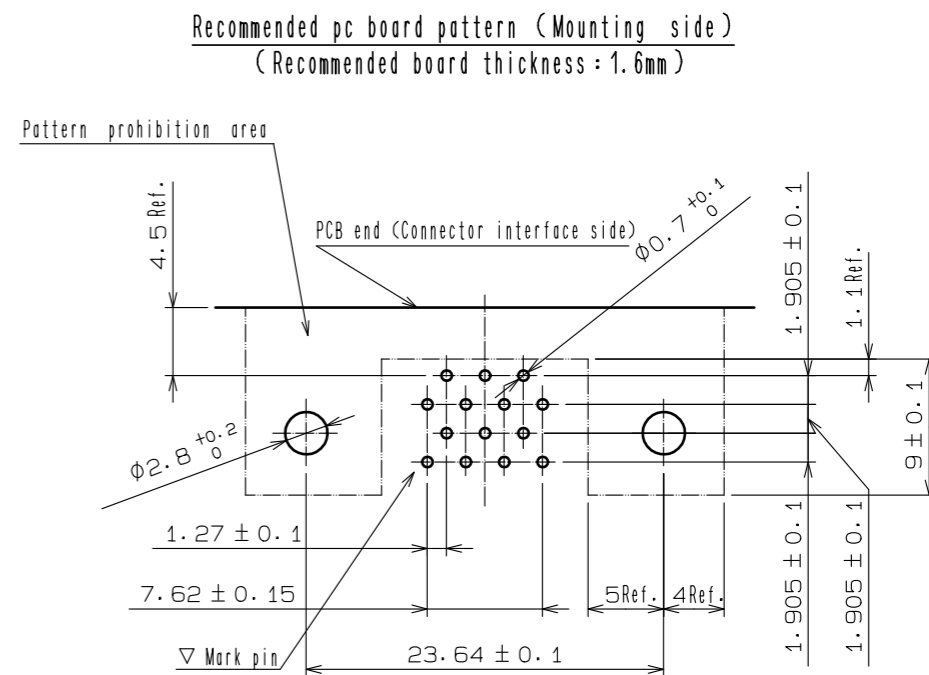
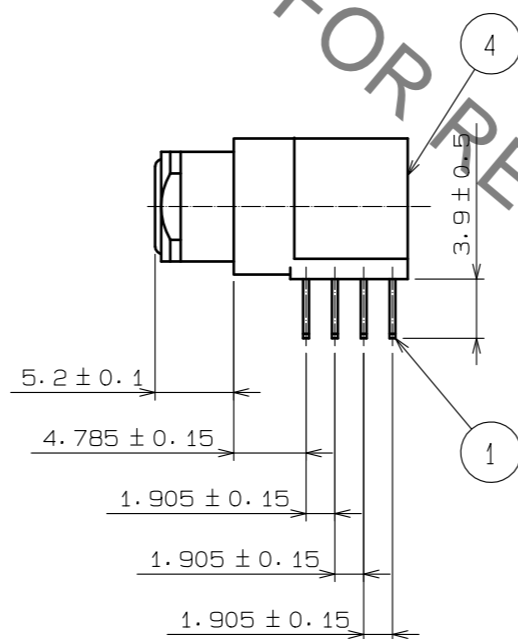
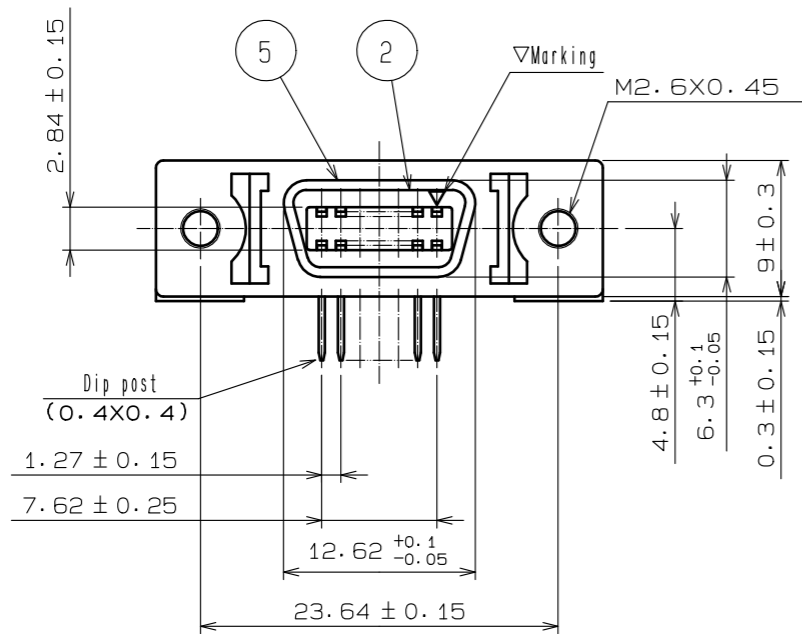
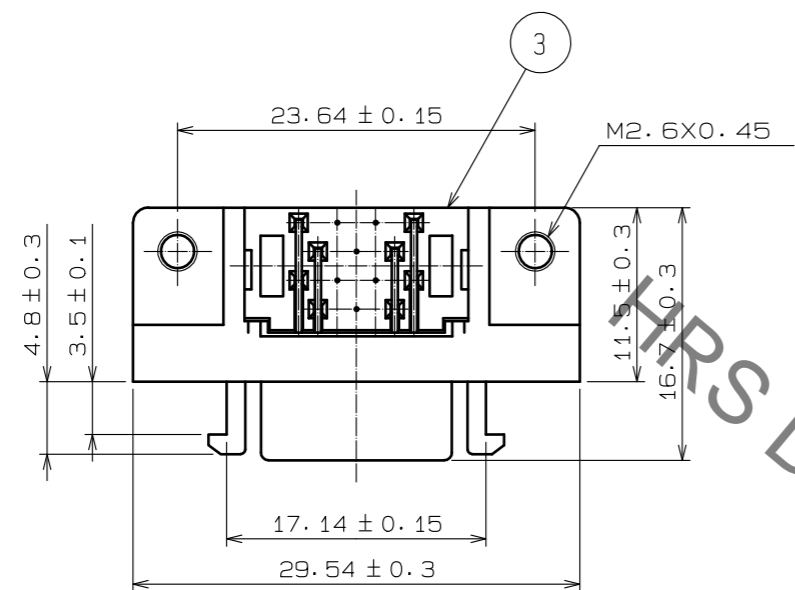


Sep.1.2021 Copyright 2021 HIROSE ELECTRIC CO., LTD. All Rights Reserved.
In case of consideration for using Automotive equipment / device which demand high reliability, kindly contact our sales window correspondents.



3	PBT	Black UL94V-0	5	Steel	Over plating : Nickel 1 μm min Under plating : Copper 5 μm min			
2	PBT	Black UL94V-0						
1	Phosphor bronze	Contact area : Gold 0.3 μm min. Lead area : Gold 0.03 μm min. Under plating : Nickel 2 μm min.	4	Zinc alloy die casting	Over plating : Nickel 2 μm min Under plating : Copper 10 μm min			
NO.	MATERIAL	FINISH, REMARKS	NO.	MATERIAL	FINISH, REMARKS			
UNITS		SCALE	COUNT	DESCRIPTION OF REVISIONS		DESIGNED	CHECKED	DATE
mm		2 : 1						
HRS HIROSE ELECTRIC CO., LTD.			APPROVED : NM. NISHIMATSU	18.01.16	DRAWING NO.	EDC-040385-50-02		
			CHECKED : NM. NISHIMATSU	18.01.16	PART NO.	DX10M-14S(50)		
			DESIGNED : MO. SHIMOYAMA	18.01.16	CODE NO.	CL230-5000-6-50		
			DRAWN : MT. YASUDA	18.01.16		1/1		

Mouser Electronics

Authorized Distributor

Click to View Pricing, Inventory, Delivery & Lifecycle Information:

[Hirose Electric:](#)

[DX10M-14S\(50\)](#)