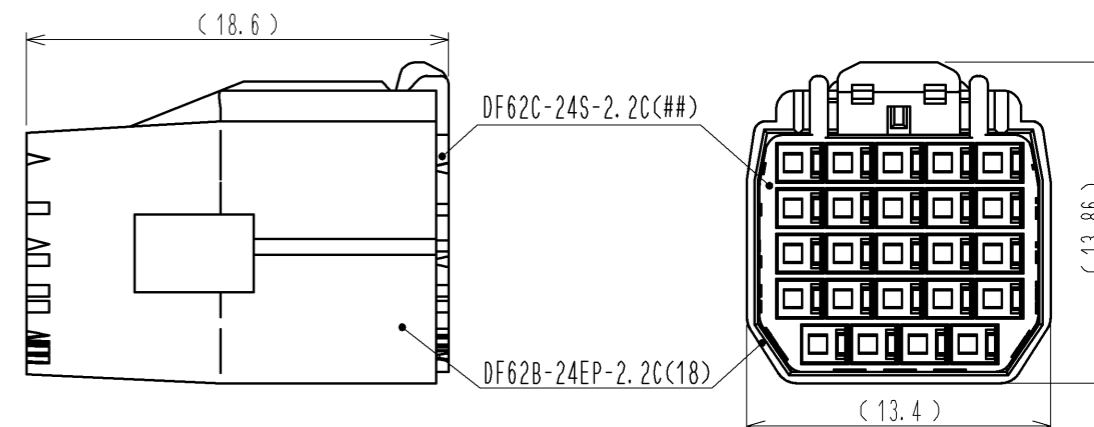
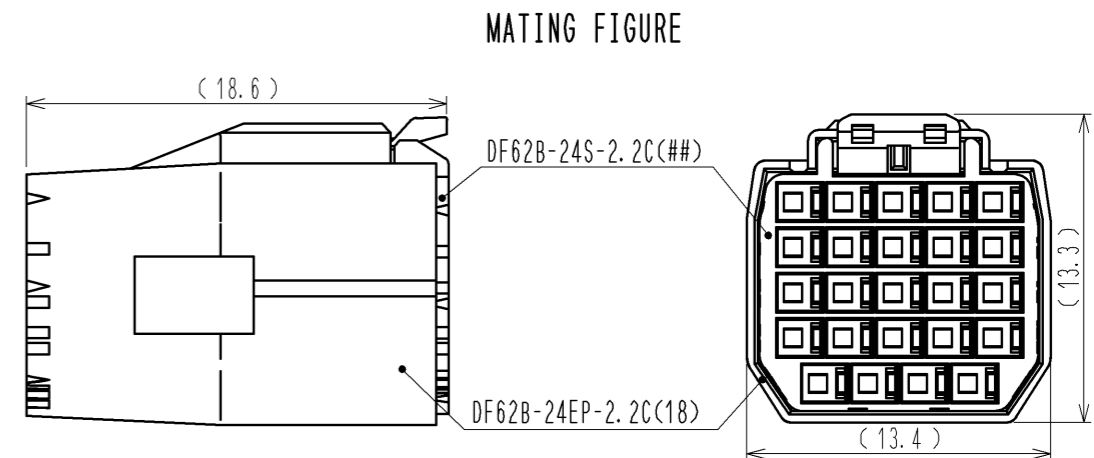
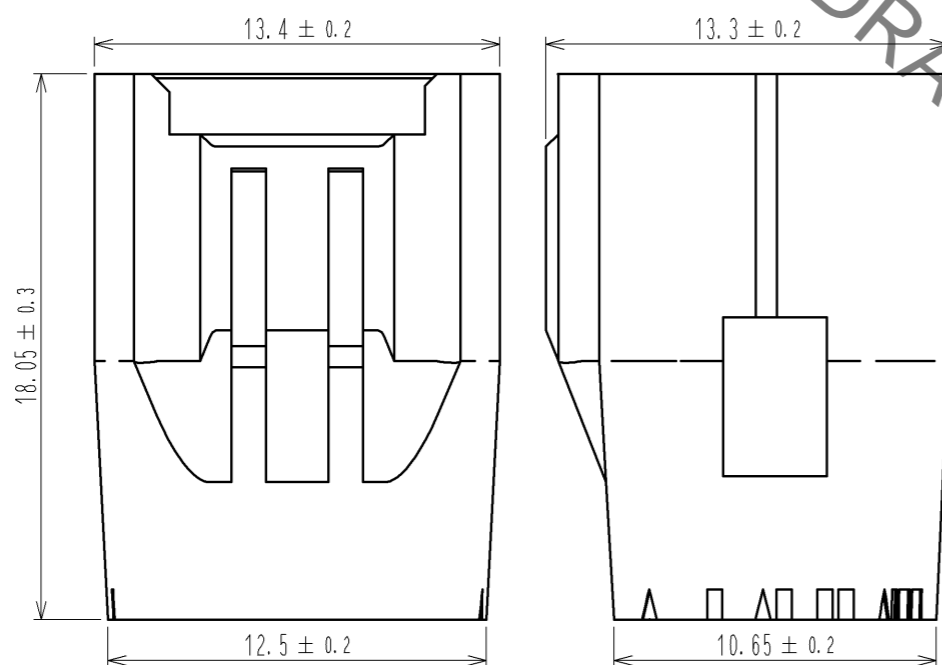
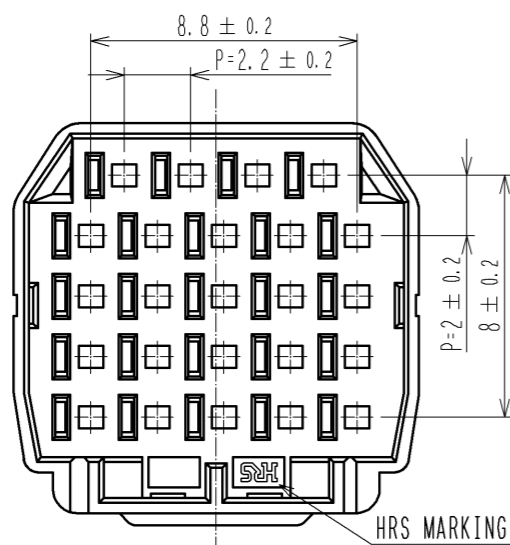
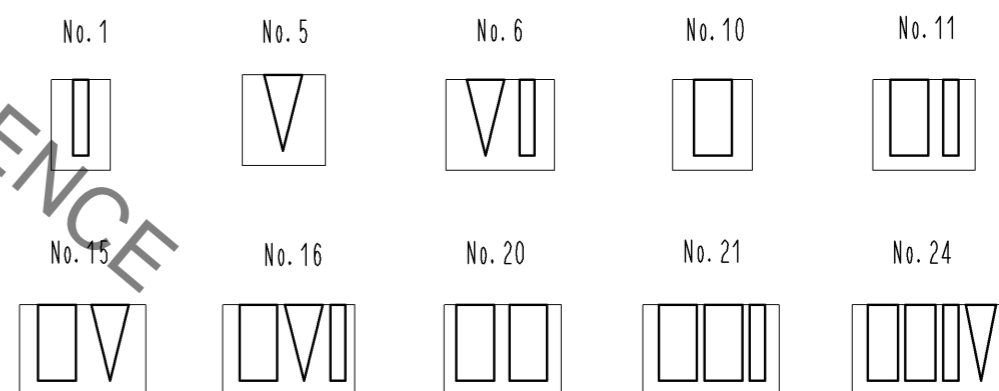


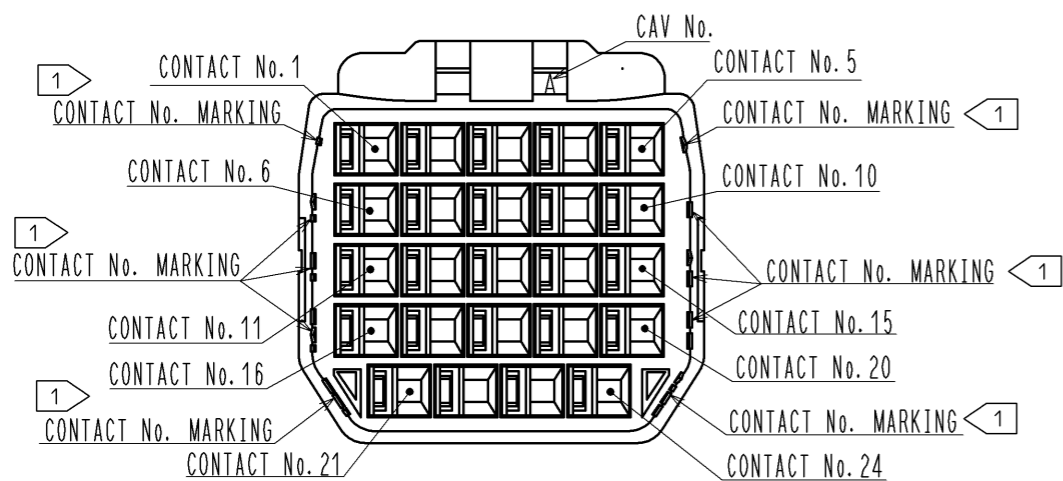
Sep.1.2021 Copyright 2021 HIROSE ELECTRIC CO., LTD. All Rights Reserved.
In case of consideration for using Automotive equipment / device which demand high reliability, kindly contact our sales window correspondents.



① FIGURE-1 CONTACT No. MARKING (10:1)



NOTE. ① MARKINGS AT THE INDICATED POSITIONS ARE CONTACT NO. MARKING. AND SHAPES ARE SHOWN IN FIGURE-1.
2. PER PACK : 100 PIECES.
3. THE DIMENSIONS IN PARENTHESIS ARE FOR REFERENCE.



NO.	MATERIAL	FINISH . REMARKS	NO.	MATERIAL	FINISH . REMARKS
			1	PBT	UL94V-0 (RED)
UNITS mm		SCALE 4 : 1	COUNT	DESCRIPTION OF REVISIONS	DESIGNED
					CHECKED
					DATE
APPROVED : KI. AKIYAMA 13.09.10			DRAWING NO. EDC3-348671-02		
CHECED : OM. MIYAMOTO 13.09.10			PART NO. DF62B-24EP-2.2C(18)		
DESIGNED : TH. YOSHIZAWA 13.09.09			CODE NO. CL544-0540-3-18		
DRAWN : MI. SAKIMURA 13.09.04					

Mouser Electronics

Authorized Distributor

Click to View Pricing, Inventory, Delivery & Lifecycle Information:

[Hirose Electric:](#)

[DF62B-24EP-2.2C\(18\)](#)