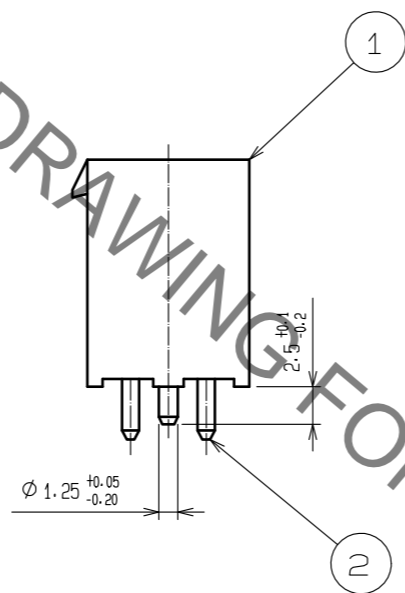
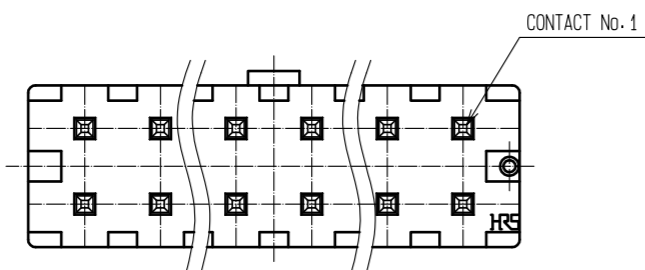
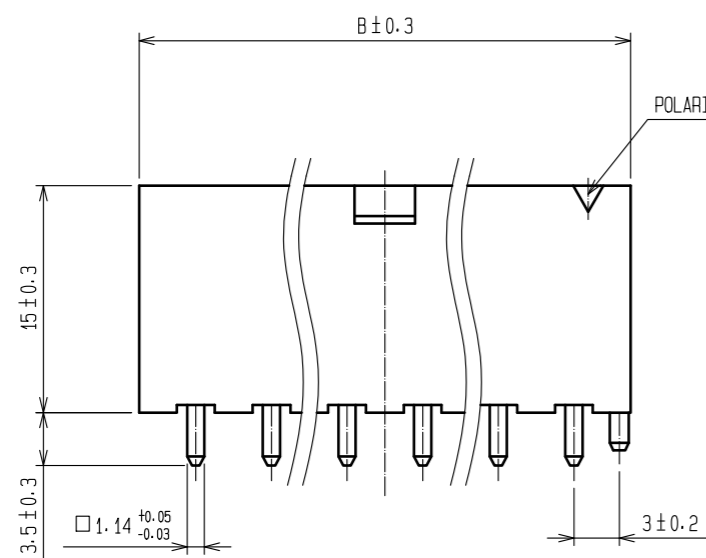
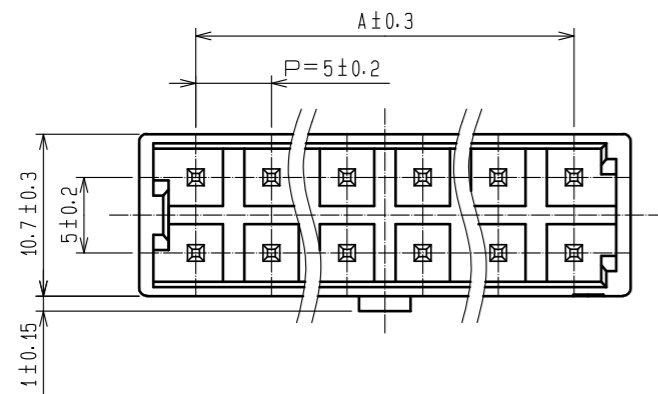
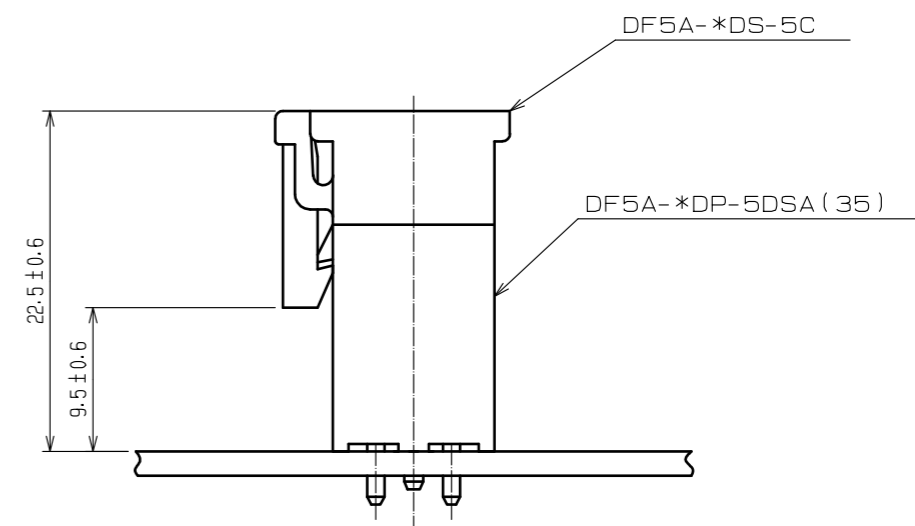


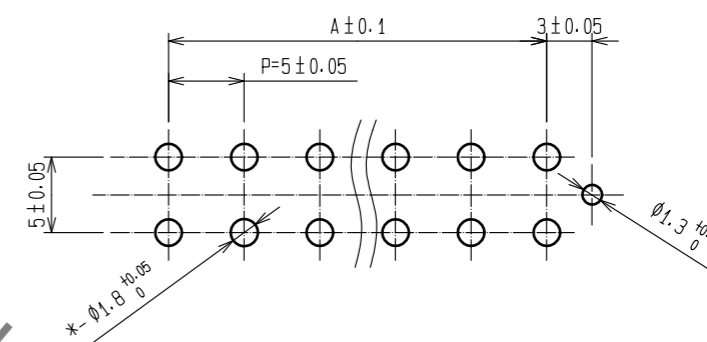
Sep.1.2021 Copyright 2021 HIROSE ELECTRIC CO., LTD. All Rights Reserved.
In case of consideration for using Automotive equipment / device which demand high reliability, kindly contact our sales window correspondents.



APPLICATION DIAGRAM



RECOMMENDED PCB LAYOUT (t=1.6 ± 0.1)



PART No.	CODE No.	A	B
DF5A-4DP-5DSA (35)	CL676-0029-0-35	-	12.5
DF5A-6DP-5DSA (35)	CL676-0030-0-35	10.0	17.5
DF5A-8DP-5DSA (35)	CL676-0031-2-35	15.0	22.5
DF5A-10DP-5DSA (35)	CL676-0032-5-35	20.0	27.5
DF5A-12DP-5DSA (35)	CL676-0033-8-35	25.0	32.5
DF5A-14DP-5DSA (35)	CL676-0034-0-35	30.0	37.5
DF5A-16DP-5DSA (35)	CL676-0035-3-35	35.0	42.5

1	POLYAMIDE	NATURAL (BEIGE)・UL94V-0	2	BRASS	SURFACE:TIN PLATED 1μm min UNDER PLATING:NICKEL PLATED 0.5μm min		
NO.	MATERIAL	FINISH . REMARKS	NO.	MATERIAL	FINISH . REMARKS		
UNITS mm		SCALE 2 : 1	COUNT 	DESCRIPTION OF REVISIONS	DESIGNED	CHECKED	DATE
HRS HIROSE ELECTRIC CO., LTD.		APPROVED : KI. AKIYAMA	15.08.08	DRAWING NO. EDC-302829-35-01			
		CHECKED : TS. FUKUSHIMA	15.08.08	PART NO. DF5A-*DP-5DSA(35)			
		DESIGNED : TS. KUMAZAWA	15.08.08	CODE NO. CL676			
		DRAWN : TS. KUMAZAWA	15.08.08			1/1	

Mouser Electronics

Authorized Distributor

Click to View Pricing, Inventory, Delivery & Lifecycle Information:

[Hirose Electric:](#)

[DF5A-4DP-5DSA\(35\)](#)