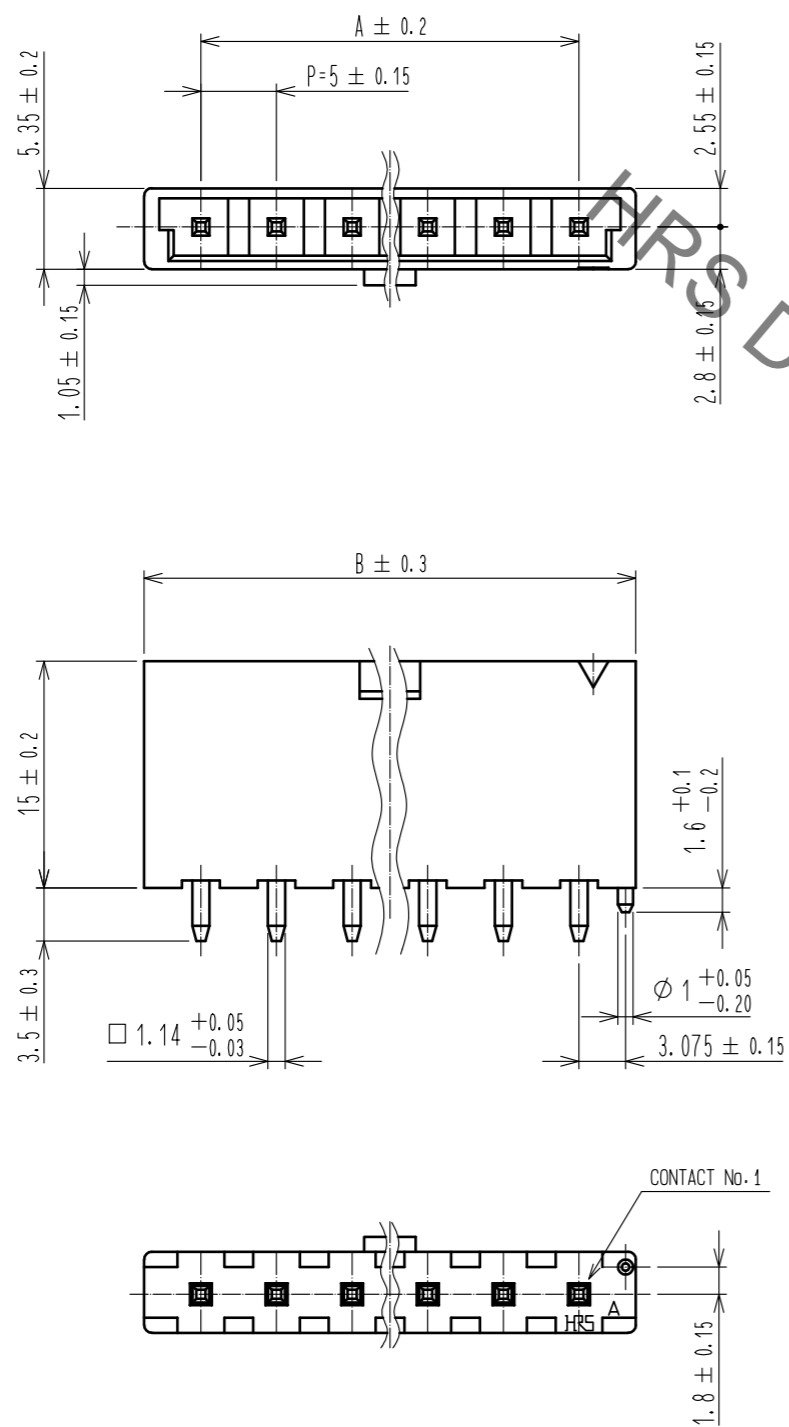
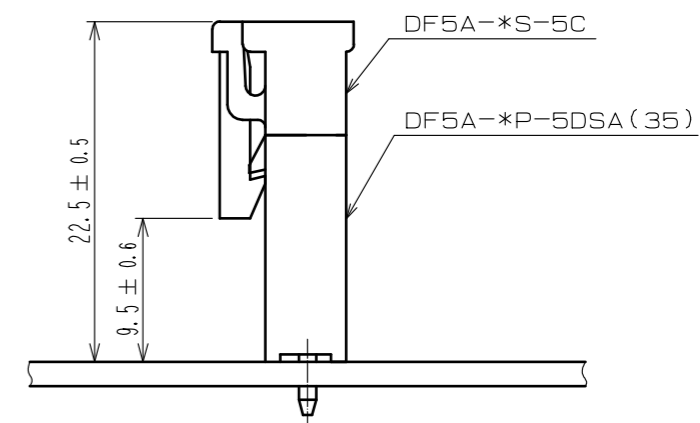


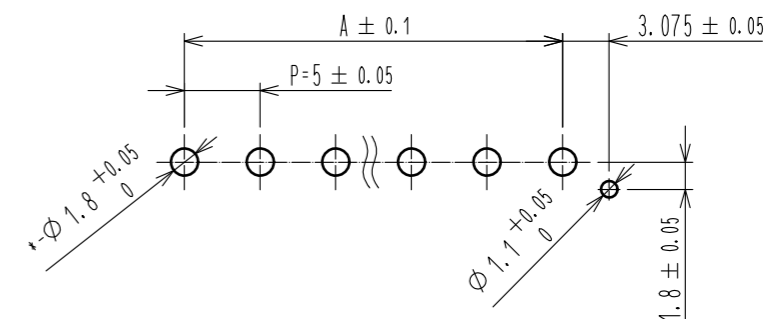
Sep.1.2021 Copyright 2021 HIROSE ELECTRIC CO., LTD. All Rights Reserved.
 In case of consideration for using Automotive equipment / device which demand high reliability, kindly contact our sales window correspondents.



APPLICATION DIAGRAM



RECOMMENDED PCB LAYOUT (t=1.6±0.1)



PART No.	CODE No.	A	B
DF5A- 2P-5DSA(35)	CL676-0016-9-35	-	12.5
DF5A- 3P-5DSA(35)	CL676-0017-1-35	10.0	17.5
DF5A- 4P-5DSA(35)	CL676-0018-4-35	15.0	22.5
DF5A- 5P-5DSA(35)	CL676-0019-7-35	20.0	27.5
DF5A- 6P-5DSA(35)	CL676-0020-6-35	25.0	32.5
DF5A- 7P-5DSA(35)	CL676-0021-9-35	30.0	37.5
DF5A- 8P-5DSA(35)	CL676-0022-1-35	35.0	42.5
DF5A- 9P-5DSA(35)	CL676-0023-4-35	40.0	47.5
DF5A-10P-5DSA(35)	CL676-0024-7-35	45.0	52.5

1	POLYAMIDE	NATURAL(BEIGE), UL94V-0	2	BRASS	SURFACE:TIN PLATED 1#m min UNDER PLATING:NICKEL PLATED 0.5#m min
NO.	MATERIAL	FINISH . REMARKS	NO.	MATERIAL	FINISH . REMARKS
UNITS mm		SCALE 2 : 1	COUNT 	DESCRIPTION OF REVISIONS	DESIGNED
HRS HIROSE ELECTRIC CO., LTD.		APPROVED : KI. AKIYAMA 15.05.15	DRAWING NO. EDC-160242-35-00		
		CHECKED : TS. FUKUSHIMA 15.05.14	PART NO. DF5A-*P-5DSA(35)		
		DESIGNED : TS. KUMAZAWA 15.05.14	CODE NO. CL676-		
		DRAWN : MI. SAKIMURA 15.05.14			

Mouser Electronics

Authorized Distributor

Click to View Pricing, Inventory, Delivery & Lifecycle Information:

[Hirose Electric:](#)

[DF5A-3P-5DSA\(35\)](#)