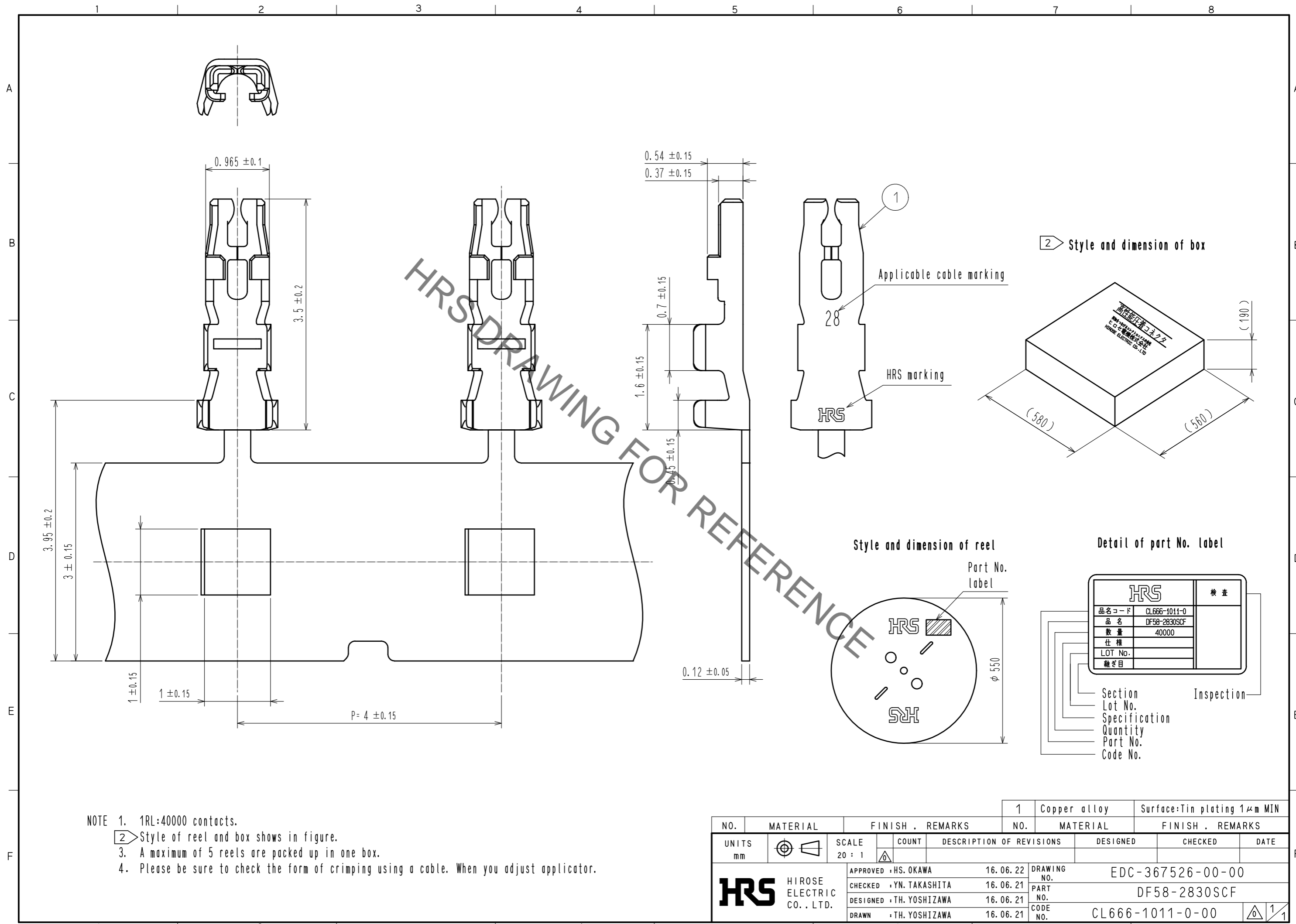


Sep.1.2021 Copyright 2021 HIROSE ELECTRIC CO., LTD. All Rights Reserved.
In case of consideration for using Automotive equipment / device which demand high reliability, kindly contact our sales window correspondents.



- NOTE
- 1RL:40000 contacts.
 - 2 Style of reel and box shows in figure.
 3. A maximum of 5 reels are packed up in one box.
 4. Please be sure to check the form of crimping using a cable. When you adjust applicator.

| NO. | MATERIAL | FINISH | REMARKS | NO. | MATERIAL | FINISH | REMARKS |
|-----|--------------|--------|---------|-----|----------|--------|-----------------------------|
| 1 | Copper alloy | | | | | | Surface:Tin plating 1μm MIN |

| UNITS | SCALE | COUNT | DESCRIPTION OF REVISIONS | DESIGNED | CHECKED | DATE |
|-------|--------|-------|--------------------------|----------|---------|------|
| mm | 20 : 1 | △ | | | | |

| | | | | | | |
|--------------------------------------|----------|-----------------|----------|-------------|------------------|--|
| HRS HIROSE ELECTRIC CO., LTD. | APPROVED | : HS. OKAWA | 16.06.22 | DRAWING NO. | EDC-367526-00-00 | |
| | CHECKED | : YN. TAKASHITA | 16.06.21 | PART NO. | DF58-2830SCF | |
| | DESIGNED | : TH. YOSHIZAWA | 16.06.21 | CODE NO. | CL666-1011-0-00 | |
| | DRAWN | : TH. YOSHIZAWA | 16.06.21 | | | |

Mouser Electronics

Authorized Distributor

Click to View Pricing, Inventory, Delivery & Lifecycle Information:

[Hirose Electric:](#)

[DF58-2830SCF](#)