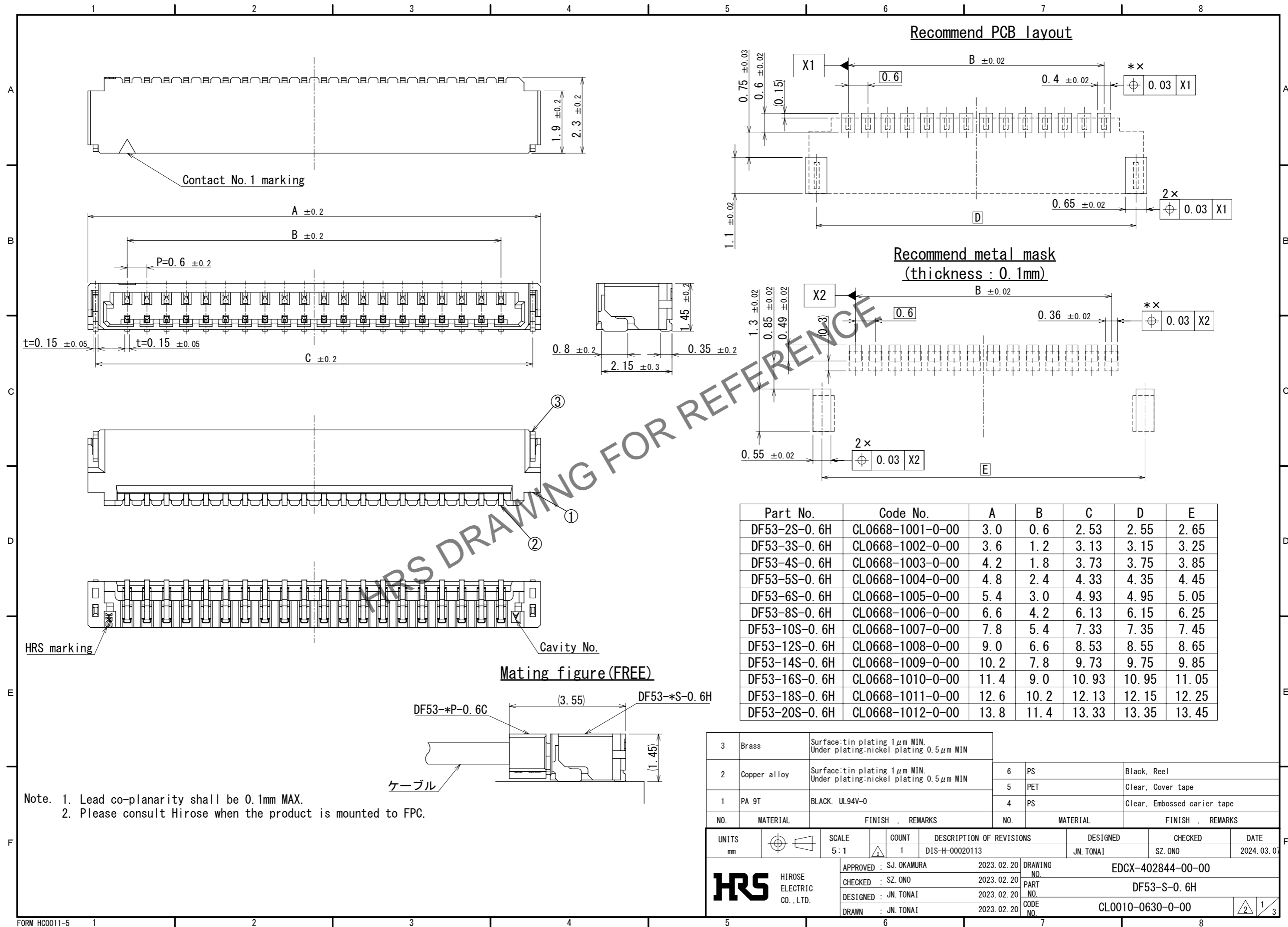


Sep.1.2024 Copyright 2024 HIROSE ELECTRIC CO., LTD. All Rights Reserved.  
In case of consideration for using Automotive equipment / device which demand high reliability, kindly contact our sales window correspondents.



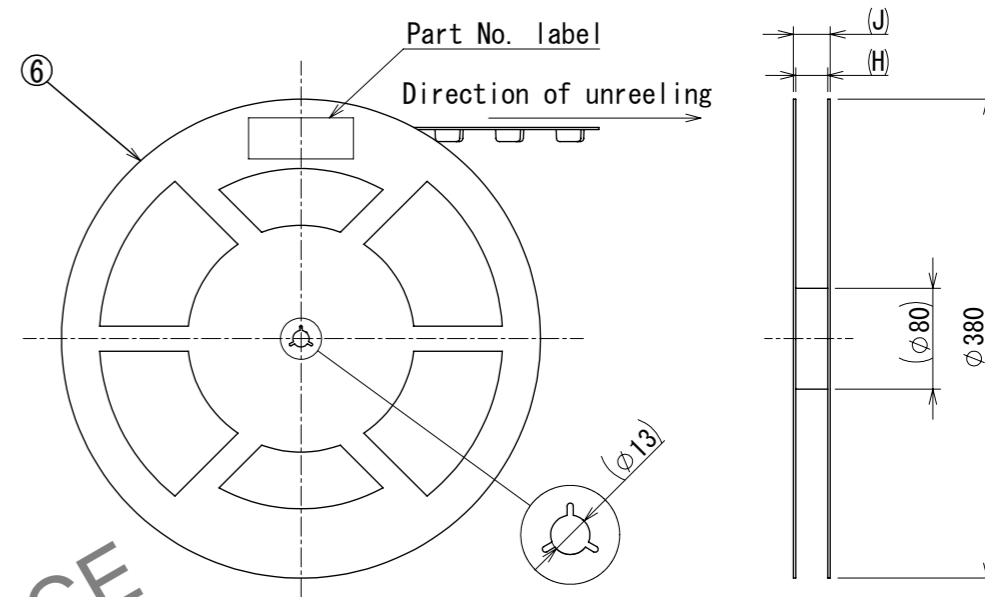
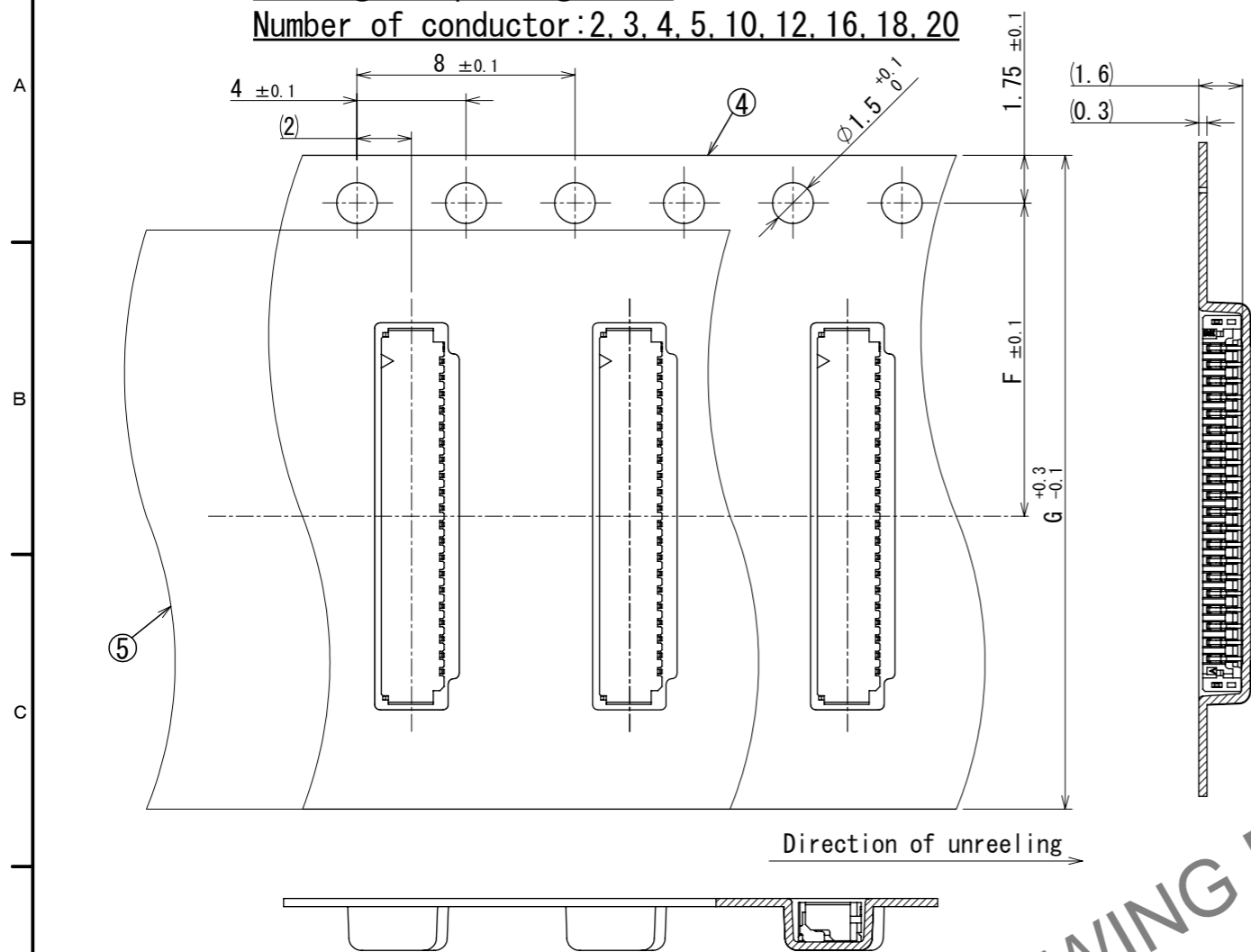
Note. 1. Lead co-planarity shall be 0.1mm MAX.  
2. Please consult Hirose when the product is mounted to FPC.

Sep.1.2024 Copyright 2024 HIROSE ELECTRIC CO., LTD. All Rights Reserved.  
In case of consideration for using Automotive equipment / device which demand high reliability, kindly contact our sales window correspondents.

**Drawing for packing(FREE)**

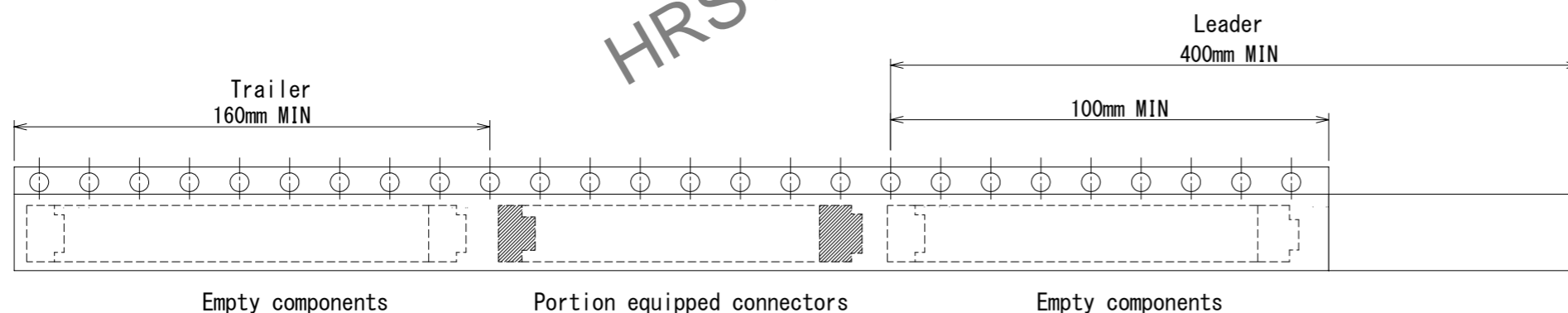
Number of conductor: 2, 3, 4, 5, 10, 12, 16, 18, 20

**Style and dimension of reel(FREE)**

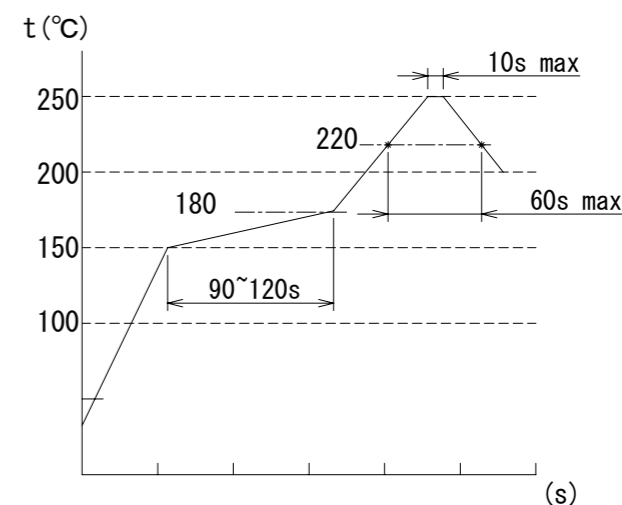


Part No.	Code No.	F	G	H	J
DF53-2S-0.6H	CL0668-1001-0-00	7.5	16	17.4	21.4
DF53-3S-0.6H	CL0668-1002-0-00	7.5	16	17.4	21.4
DF53-4S-0.6H	CL0668-1003-0-00	7.5	16	17.4	21.4
DF53-5S-0.6H	CL0668-1004-0-00	7.5	16	17.4	21.4
DF53-10S-0.6H	CL0668-1007-0-00	11.5	24	25.4	29.4
DF53-12S-0.6H	CL0668-1008-0-00	11.5	24	25.4	29.4
DF53-16S-0.6H	CL0668-1010-0-00	11.5	24	25.4	29.4
DF53-18S-0.6H	CL0668-1011-0-00	11.5	24	25.4	29.4
DF53-20S-0.6H	CL0668-1012-0-00	11.5	24	25.4	29.4

**5 Taping(FREE)**



**Reflow temperature profile in resistance to solderring heat**



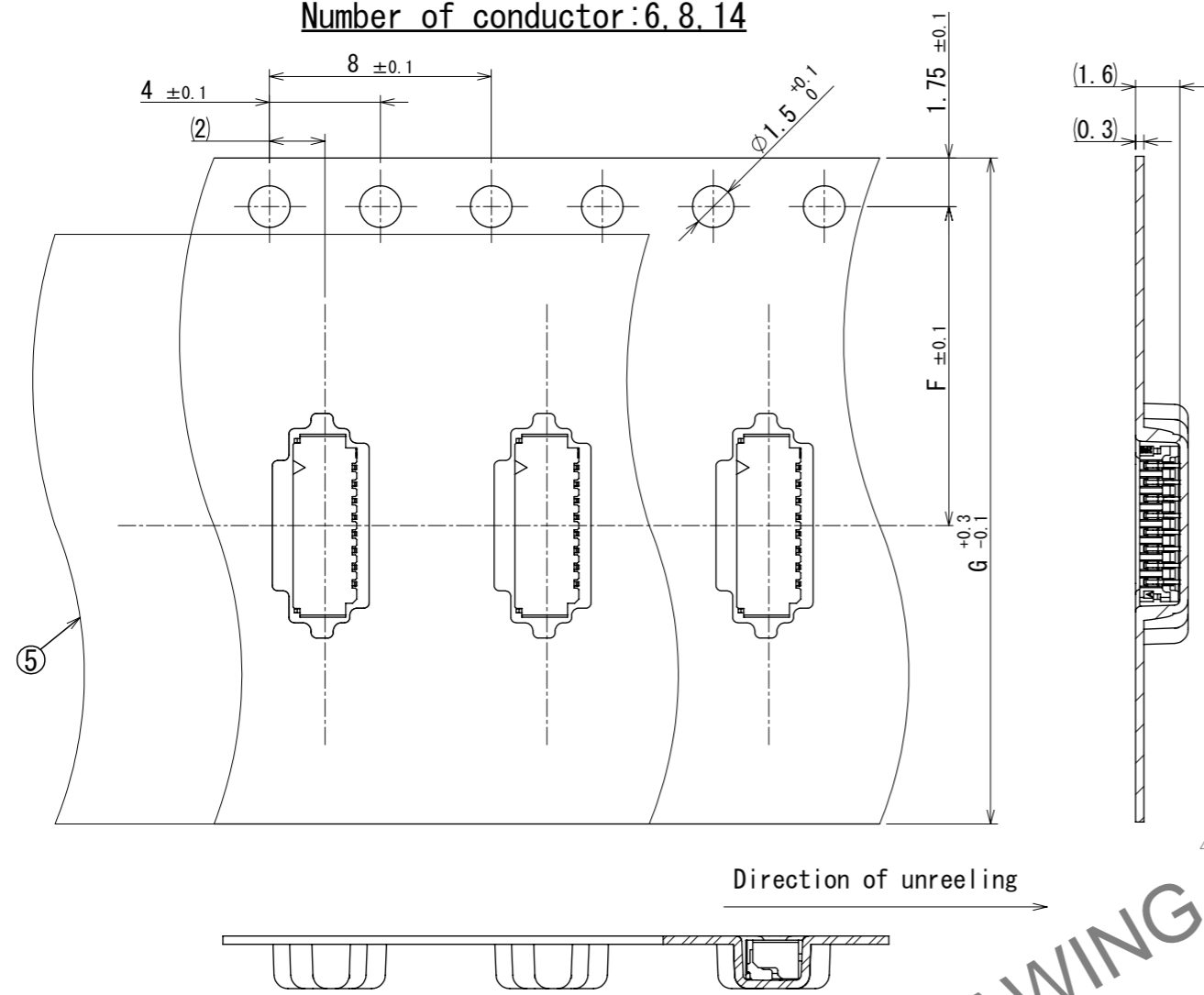
Number of reflow cycles 2 cycles MAX.

- Note
- 1 reel:5,000 connectors.
  - ( ) is reference dimension.
  - Refer to IEC 60286-3 and JIS C 0806-3. (Packaging of components for automated handling)
  - This product satisfies halogen free requirements defined as 900 ppm maximum chlorine, 900 ppm maximum bromine, and 1500 ppm maximum total of chlorine and bromine.
  - Refer to the technical specification(ETAP-H1068) for packing type.
  - Please make sure refer to the manuals below for operation of this product.  
For operation manual ETAD-H0996-00

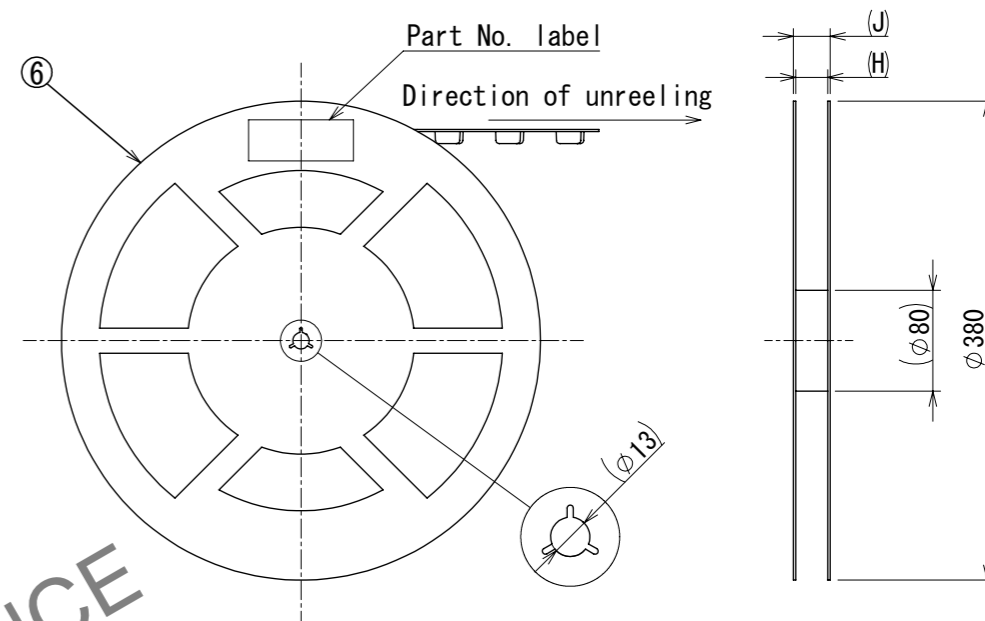
<b>HRS</b>	DRAWING NO.	EDCX-402844-00-00
	PART NO.	DF53-S-0.6H
	CODE NO.	CL0010-0630-0-00
		2/3

Sep.1.2024 Copyright 2024 HIROSE ELECTRIC CO., LTD. All Rights Reserved.  
In case of consideration for using Automotive equipment / device which demand high reliability, kindly contact our sales window correspondents.

**Drawing for packing(FREE)**  
Number of conductor:6,8,14



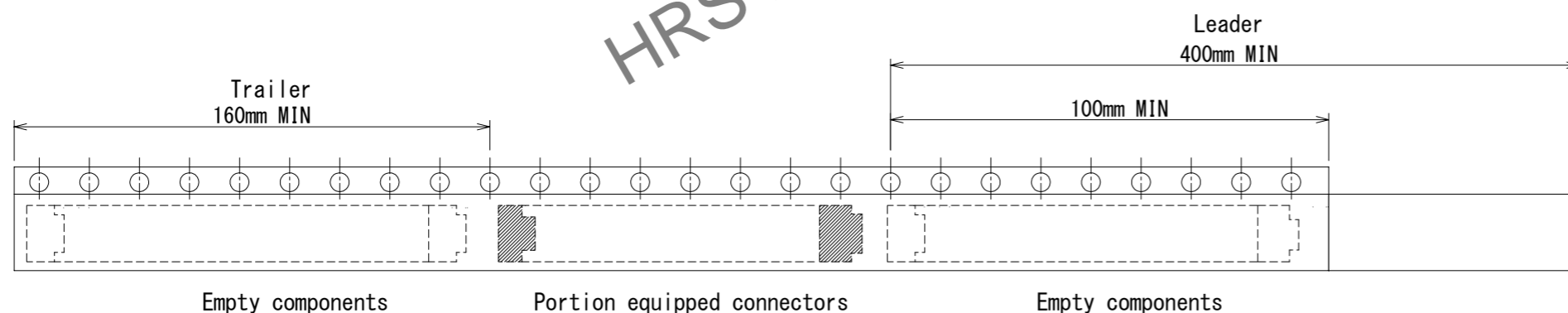
**Style and dimension of reel (FREE)**



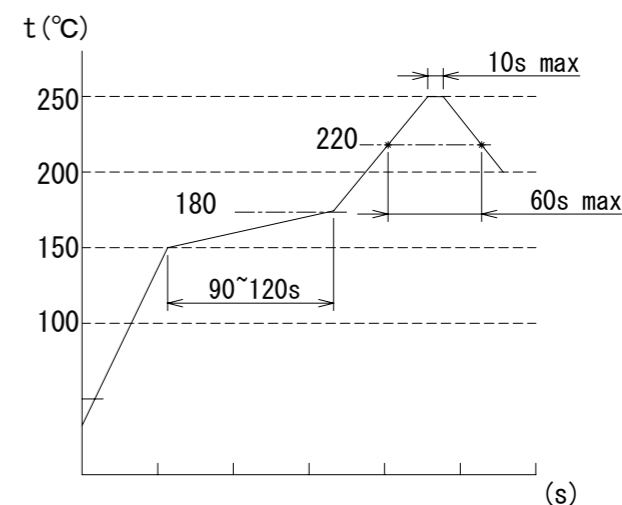
Part No.	Code No.	F	G	H	J
DF53-6S-0.6H	CL0668-1005-0-00	7.5	16	17.4	21.4
DF53-8S-0.6H	CL0668-1006-0-00	11.5	24	25.4	29.4
DF53-14S-0.6H	CL0668-1009-0-00	11.5	24	25.4	29.4

Direction of unreeling

**5 Taping (FREE)**



**Reflow temperature profile in resistance to solderring heat**



Number of reflow cycles 2 cycles MAX.

- Note
- 1 reel:5,000 connectors.
  - ( ) is reference dimension.
  - 5 Refer to IEC 60286-3 and JIS C 0806-3. (Packaging of components for automated handling)
  6. This product satisfies halogen free requirements defined as 900 ppm maximum chlorine, 900 ppm maximum bromine, and 1500 ppm maximum total of chlorine and bromine.
  7. Refer to the technical specification(ETAP-H1068) for packing type.
  8. Please make sure refer to the manuals below for operation of this product.  
For operation manual ETAD-H0996-00

<b>HRS</b>	DRAWING NO.	EDCX-402844-00-00
	PART NO.	DF53-S-0.6H
	CODE NO.	CL0010-0630-0-00
	NO.	3/3

# Mouser Electronics

Authorized Distributor

Click to View Pricing, Inventory, Delivery & Lifecycle Information:

[Hirose Electric:](#)

[DF53-2S-0.6H](#)