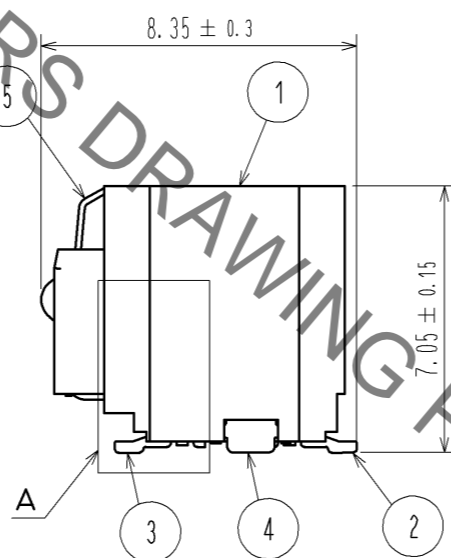
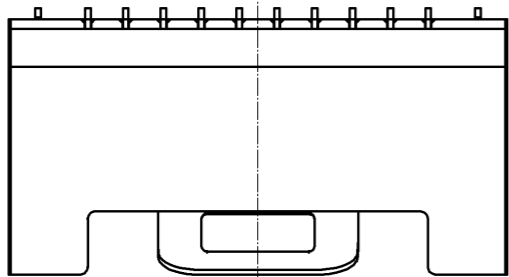
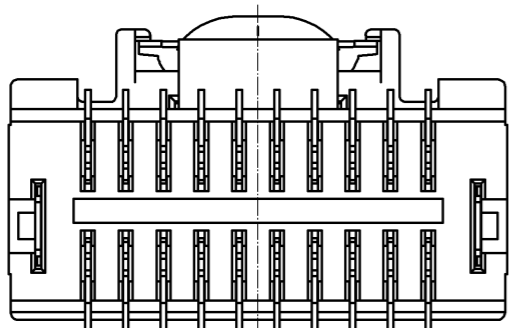
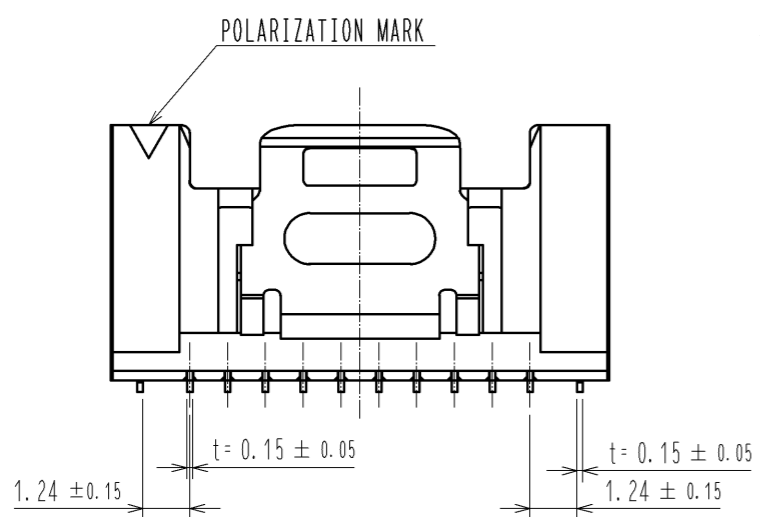
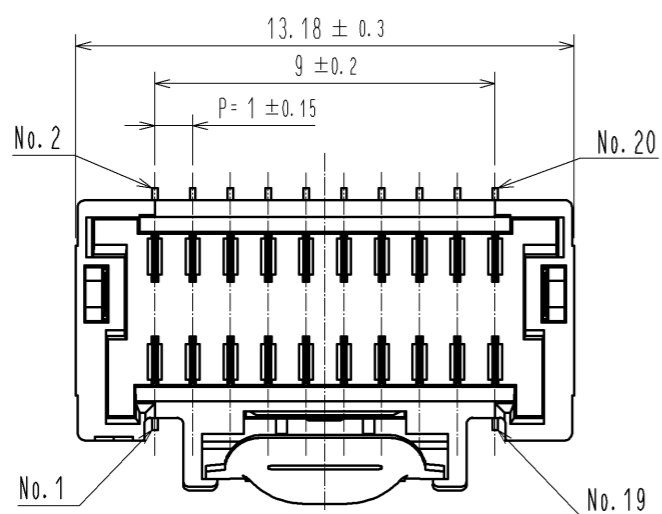
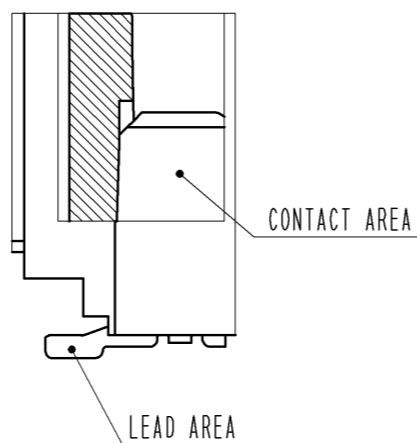


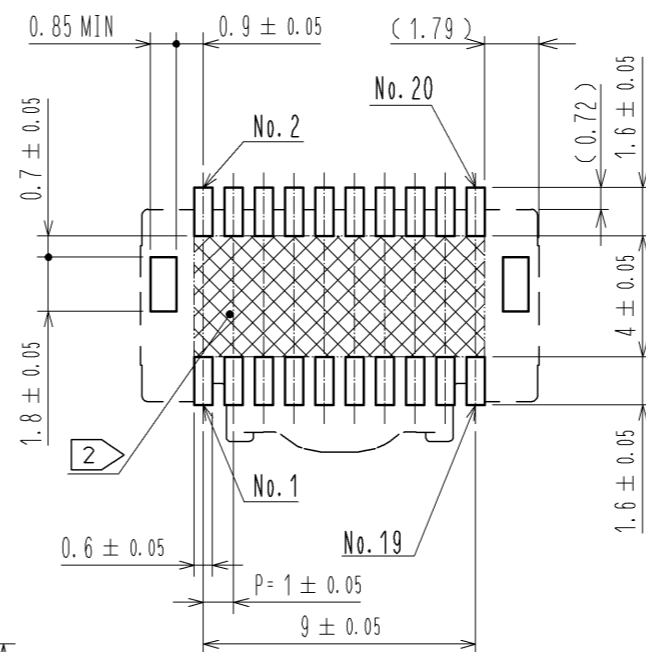
Aug.1.2021 Copyright 2021 HIROSE ELECTRIC CO., LTD. All Rights Reserved.
In case of consideration for using Automotive equipment / device which demand high reliability, kindly contact our sales window correspondents.



A (10 : 1)

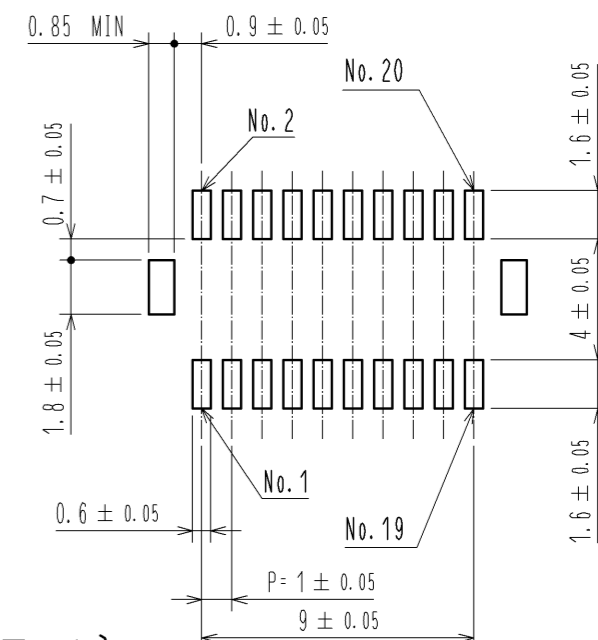


RECOMMENDED PCB LAYOUT
(MOUNTING SURFACE SIDE) (FREE)

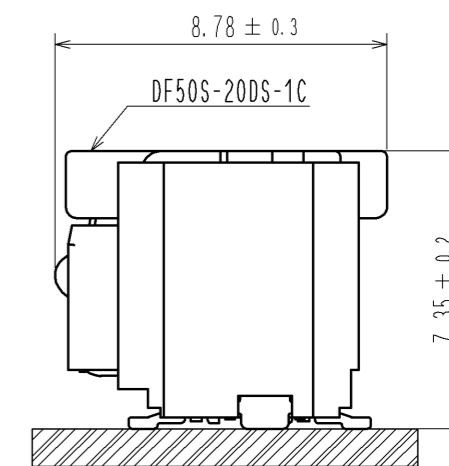
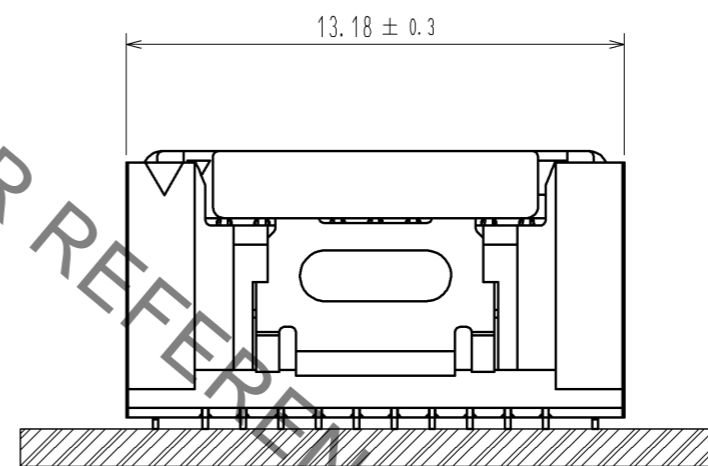


RECOMMENDED METAL MASK(FREE)

THICKNESS : 0.1mm



MATING FIGURE (5 : 1)

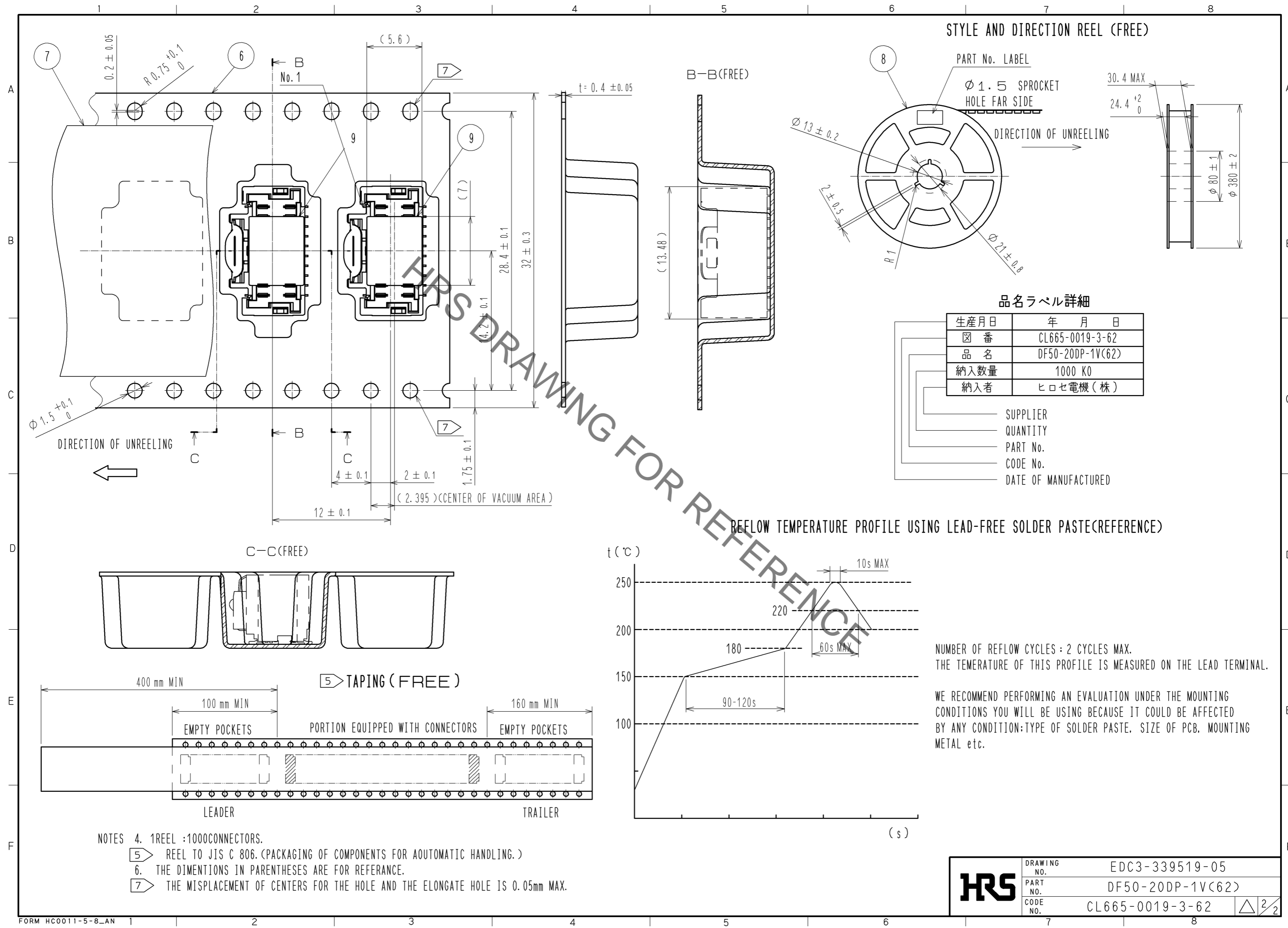


- NOTES 1. LEAD CO-PLANARITY SHALL BE 0.1 mm MAX.
2. AREA INDICATED MUST BE FREE OF CONDUCTIVE TRACES OR THE CONDUCTIVE TRACES MUST BE COVERED BY RESIST FILM.
3. PLEASE CONSULT HIROSE WHEN THE PRODUCT IS MOUNTED TO FPC.

3	BRASS	CONTACT AREA : Au PLATING 0.05µm MIN. LEAD AREA : Au PLATING 0.05µm MIN. UNDERPLATING : Ni PLATING 1µm MIN.	9	POLYAMIDE	VACUUM CAP
2	BRASS	CONTACT AREA : Au PLATING 0.05µm MIN. LEAD AREA : Au PLATING 0.05µm MIN. UNDERPLATING : Ni PLATING 1µm MIN.	8	PS	REEL, BLACK
1	LCP	NATURAL, UL94V-0	7	POLYESTER	CLEAR
			6	PS	CLEAR
			5	STAINLESS STEEL	-
			4	BRASS	SURFACE : Sn PLATING 1µm MIN. UNDERPLATING : Ni PLATING 0.5µm MIN.
NO.	MATERIAL	FINISH, REMARKS	NO.	MATERIAL	FINISH, REMARKS

UNITS mm		SCALE FREE	COUNT △	DESCRIPTION OF REVISIONS	DESIGNED	CHECKED	DATE
APPROVED : KI. AKIYAMA 14.10.24				DRAWING NO.	EDC3-339519-05		
CHECKED : TS. FUKUSHIMA 14.10.24				PART NO.	DF50-20DP-1V(62)		
DESIGNED : HT. SATO 14.10.24				CODE NO.	CL665-0019-3-62		
DRAWN : MI. SAKIMURA 14.10.22				△ 1/2			

Aug.1.2021 Copyright 2021 HIROSE ELECTRIC CO., LTD. All Rights Reserved.
 In case of consideration for using Automotive equipment / device which demand high reliability, kindly contact our sales window correspondents.



HRS	DRAWING NO.	EDC3-339519-05
	PART NO.	DF50-20DP-1V(62)
	CODE NO.	CL665-0019-3-62
		△ 2/2

Mouser Electronics

Authorized Distributor

Click to View Pricing, Inventory, Delivery & Lifecycle Information:

[Hirose Electric:](#)

[DF50-20DP-1V\(62\)](#)