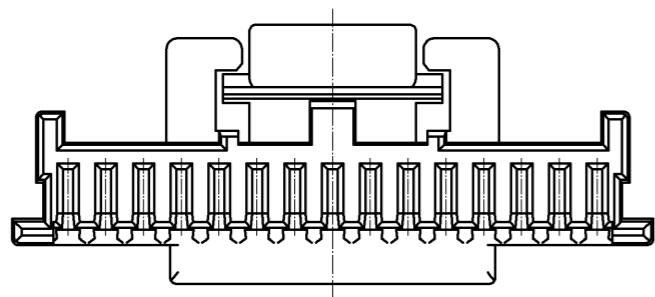
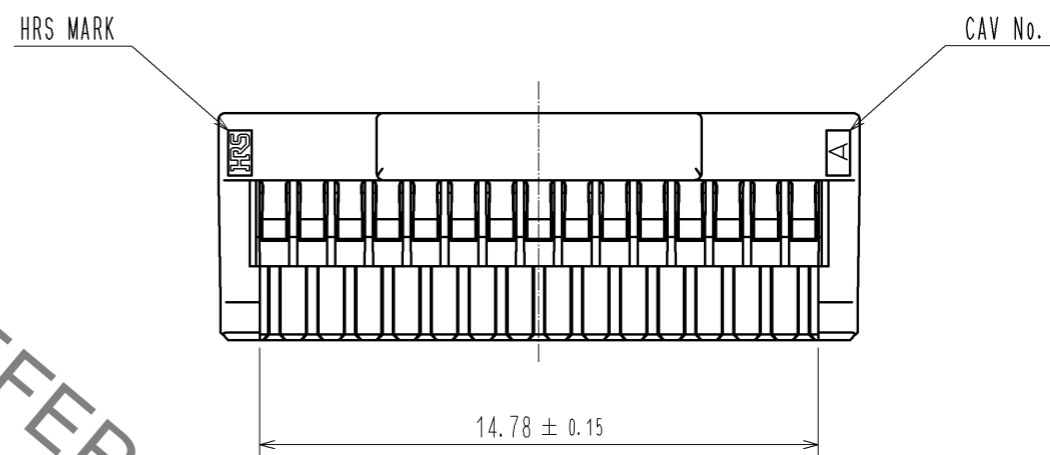
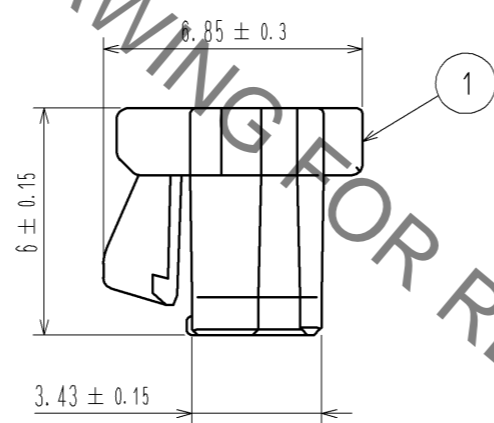
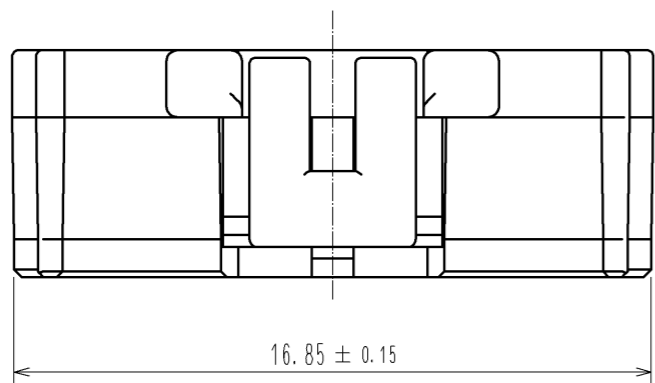
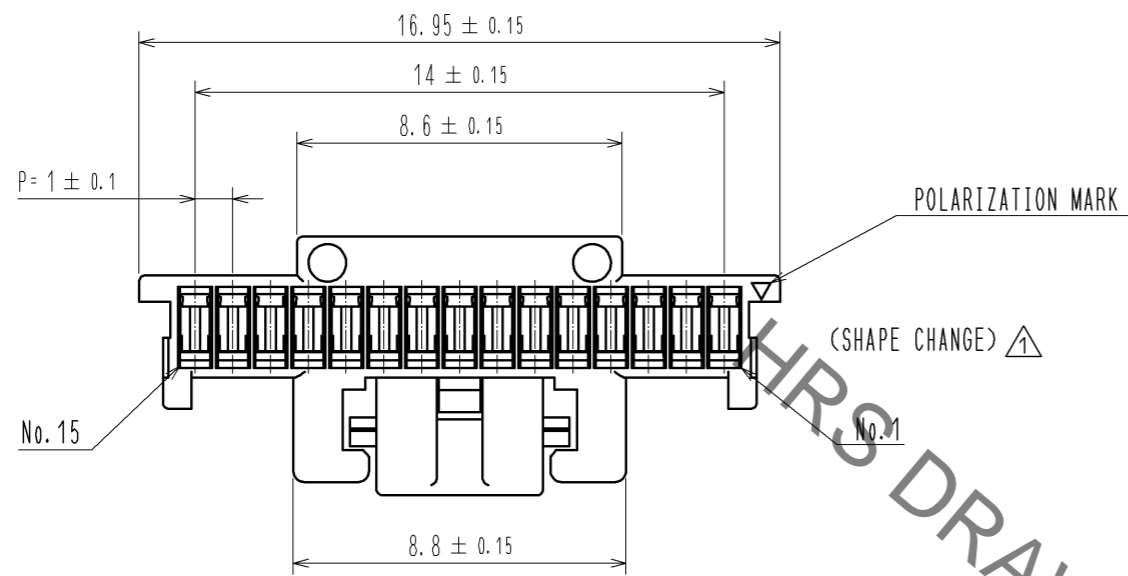


Sep.1.2021 Copyright 2021 HIROSE ELECTRIC CO., LTD. All Rights Reserved.  
 In case of consideration for using Automotive equipment / device which demand high reliability, kindly contact our sales window correspondents.



NOTE1. PER PACK:100 PIECS

NO.		MATERIAL		FINISH . REMARKS		1		PBT		UL94V-0. BLACK	
UNITS		SCALE		COUNT		DESCRIPTION OF REVISIONS		DESIGNED		CHECKED	
mm		5 : 1		Δ 1		DIS-H-005903		KT. ISHII		OM. MIYAMOTO	
APPROVED		: KI. AKIYAMA		10.12.10		DRAWING NO.		EDC3-329682-00			
CHECKED		: OM. MIYAMOTO		10.12.10		PART NO.		DF50A-15S-1C			
DESIGNED		: TT. OHSAKO		10.12.09		CODE NO.		CL665-1028-0-00			
DRAWN		: TT. OHSAKO		10.12.09							

# Mouser Electronics

Authorized Distributor

Click to View Pricing, Inventory, Delivery & Lifecycle Information:

[Hirose Electric:](#)

[DF50A-15S-1C](#)