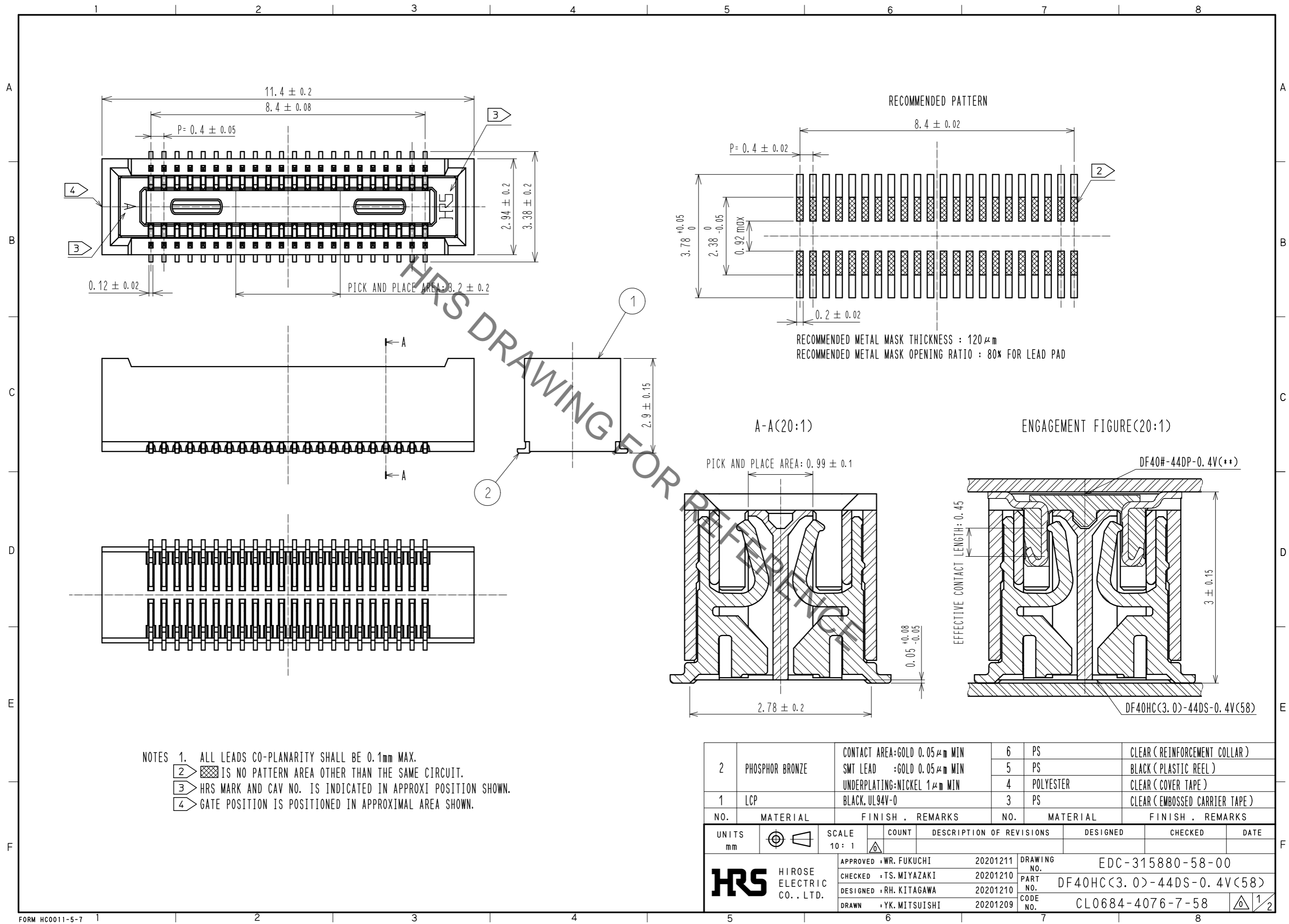


Sep.1.2021 Copyright 2021 HIROSE ELECTRIC CO., LTD. All Rights Reserved.
In case of consideration for using Automotive equipment / device which demand high reliability, kindly contact our sales window correspondents.

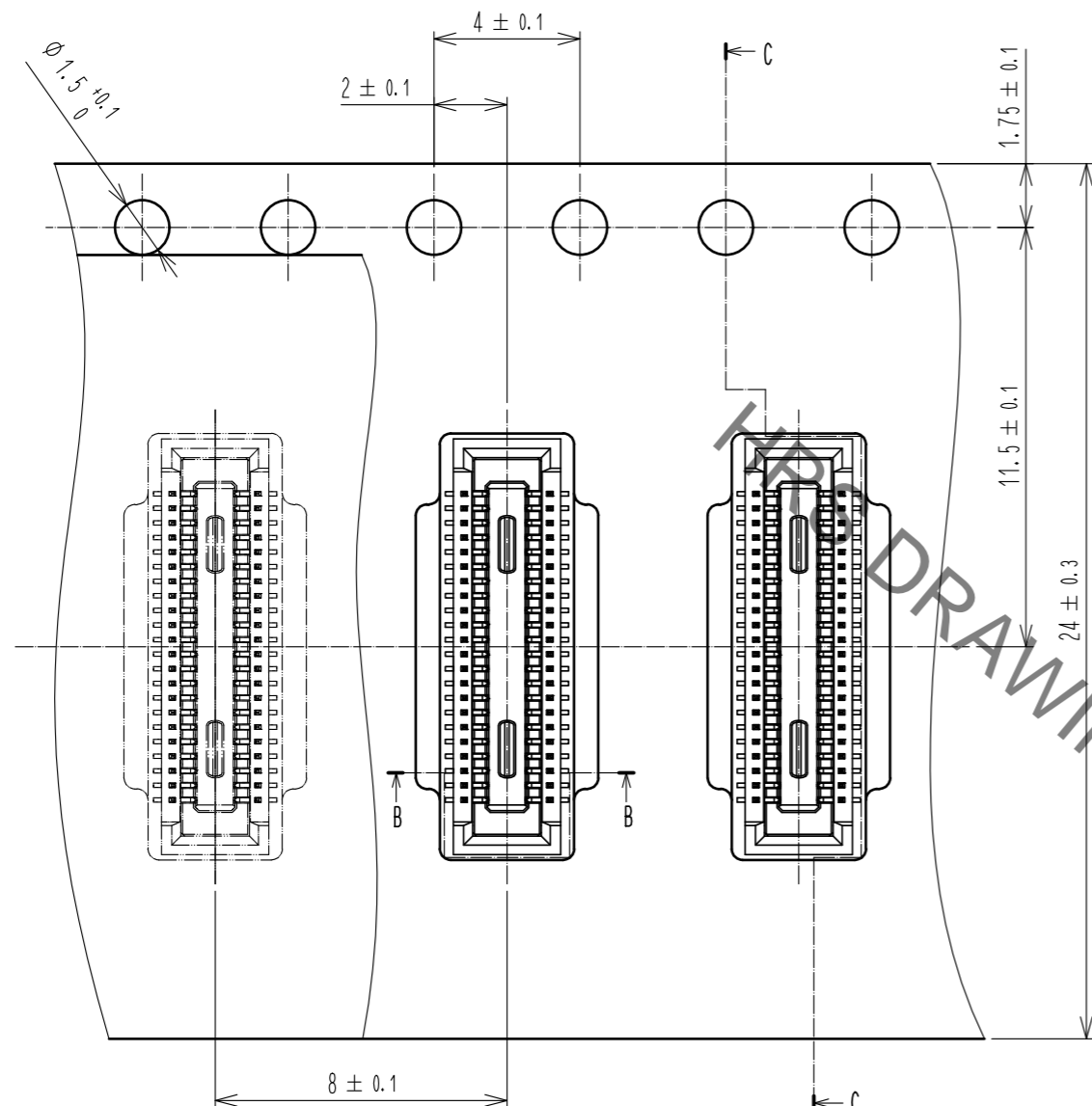


NO.	MATERIAL	FINISH	REMARKS	NO.	MATERIAL	FINISH	REMARKS
2	PHOSPHOR BRONZE	CONTACT AREA:GOLD 0.05 μm MIN SMT LEAD :GOLD 0.05 μm MIN UNDERPLATING:NICKEL 1 μm MIN		6	PS		CLEAR (REINFORCEMENT COLLAR)
				5	PS		BLACK (PLASTIC REEL)
				4	POLYESTER		CLEAR (COVER TAPE)
1	LCP	BLACK, UL94V-0		3	PS		CLEAR (EMBOSSED CARRIER TAPE)

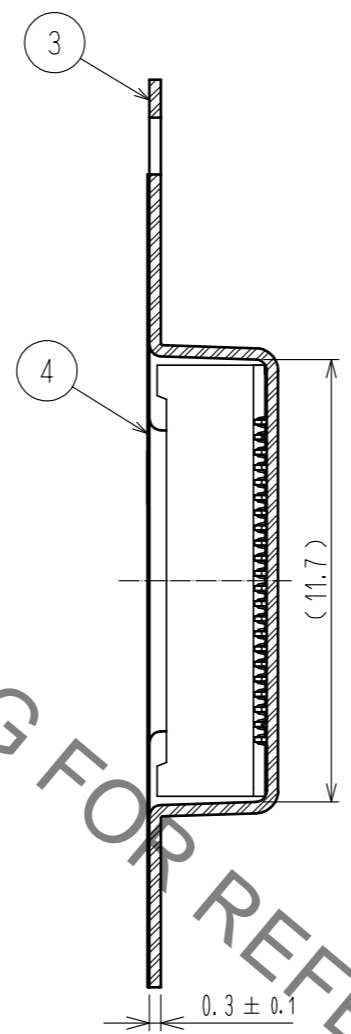
UNITS	SCALE	COUNT	DESCRIPTION OF REVISIONS	DESIGNED	CHECKED	DATE
mm	10:1	△				
APPROVED : WR. FUKUCHI			20201211	DRAWING NO. EDC-315880-58-00		
CHECKED : TS. MIYAZAKI			20201210	PART NO. DF40HC(3.0)-44DS-0.4V(58)		
DESIGNED : RH. KITAGAWA			20201210	CODE NO. CL0684-4076-7-58		
DRAWN : YK. MITSUISHI			20201209	1/2		

Sep.1.2021 Copyright 2021 HIROSE ELECTRIC CO., LTD. All Rights Reserved.
 In case of consideration for using Automotive equipment / device which demand high reliability, kindly contact our sales window correspondents.

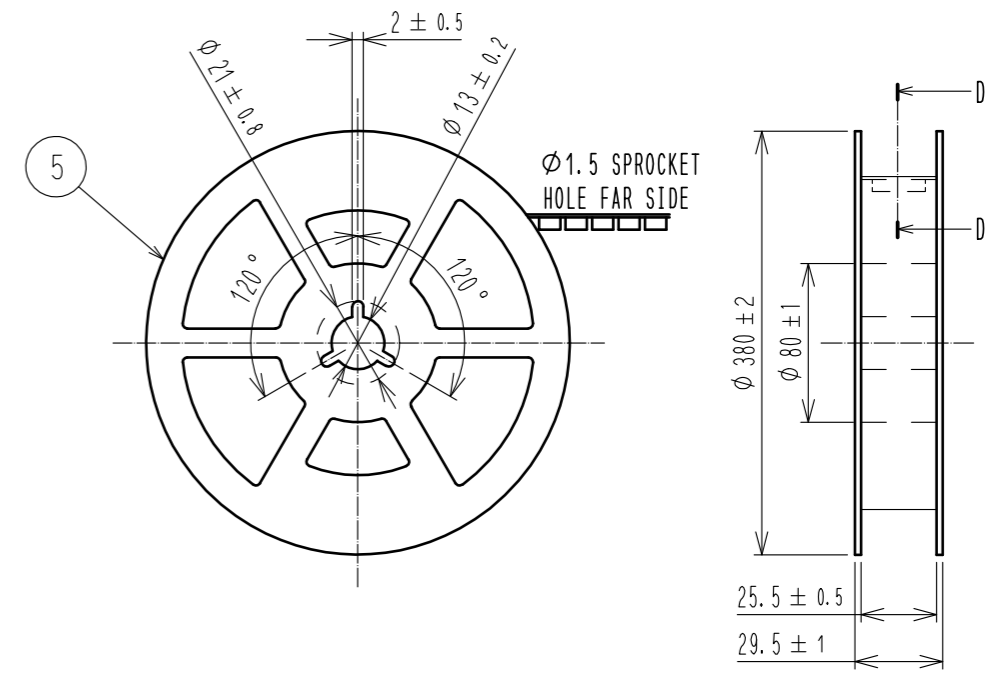
EMBOSSED CARRIER TAPE PACKAGING (5:1)



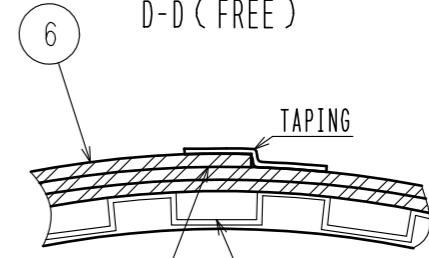
C-C (5:1)



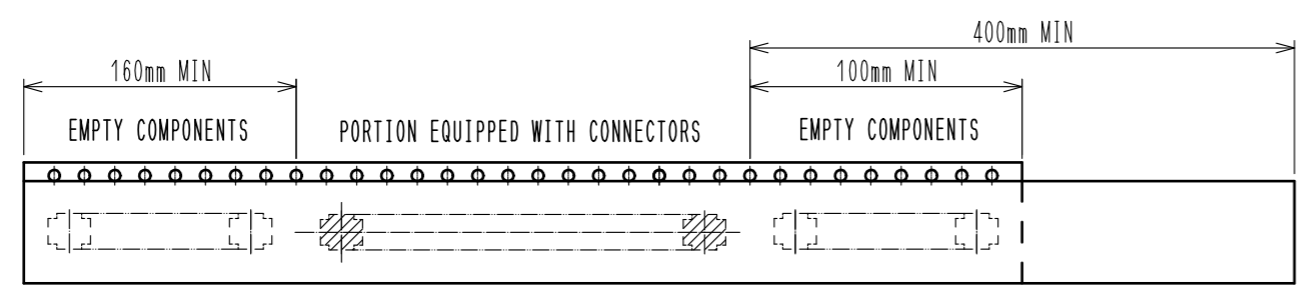
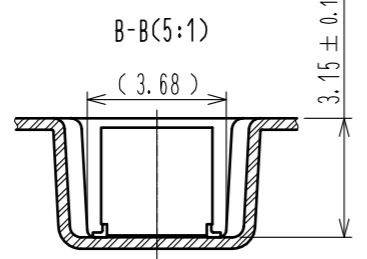
STYLE AND DIMENSION OF REEL (FREE SIZE)



D-D (FREE)



DIRECTION OF UNREELING \rightarrow



- NOTES
5. PER REEL 1000 CONNECTORS.
 6. THE DIMENSIONS IN PARENTHESES ARE FOR REFERENCE.
 7. REFER TO JIS C 0806, IEC 60286-3. (PACKAGING OF COMPONENTS FOR AUTOMATIC HANDLING)
 8. AFTER PACKAGING, ROLL 2 METERS OF THE REINFORCEMENT COLLAR TO OUTER CIRCUMFERENCE OF TAPE AND REEL POCKET, AND TAPE DOWN AT THE END OF THE COLLAR.

HRS	DRAWING NO.	EDC-315880-58-00
	PART NO.	DF40HC(3.0)-44DS-0.4V(58)
	CODE NO.	CL0684-4076-7-58
		\triangle 2/2

Mouser Electronics

Authorized Distributor

Click to View Pricing, Inventory, Delivery & Lifecycle Information:

[Hirose Electric:](#)

[DF40HC\(3.0\)-44DS-0.4V\(58\)](#)