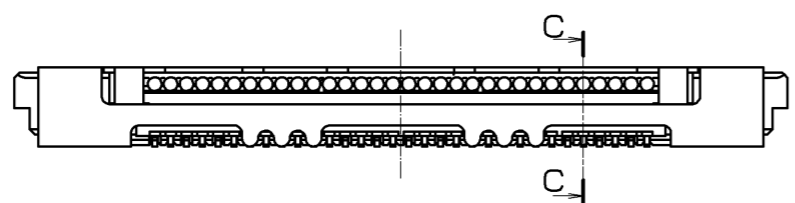
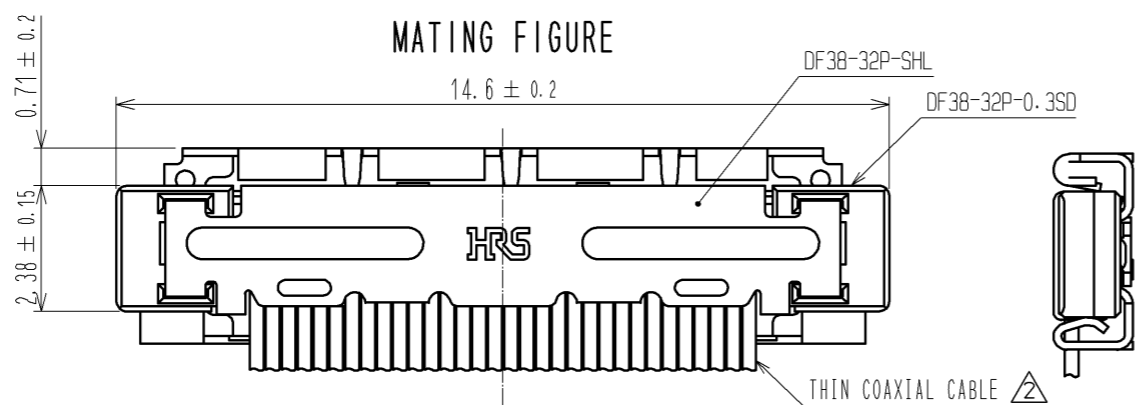
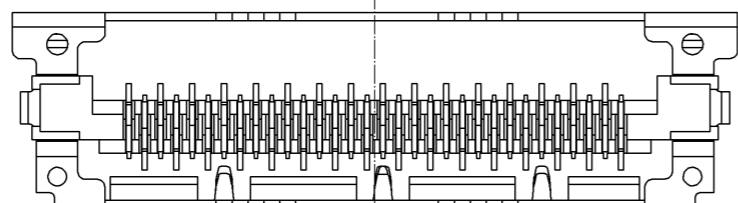
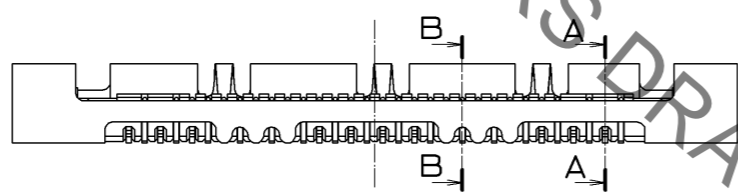
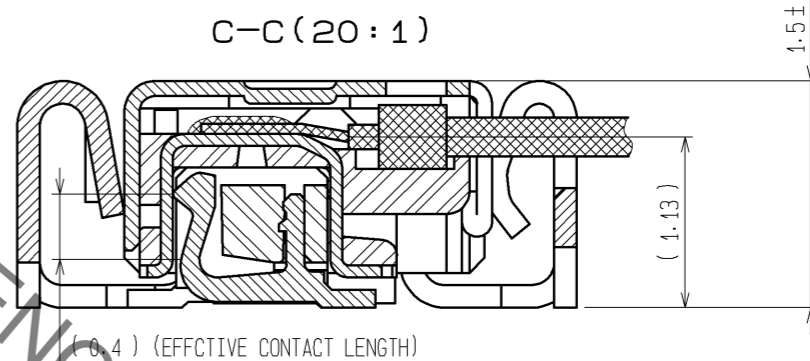
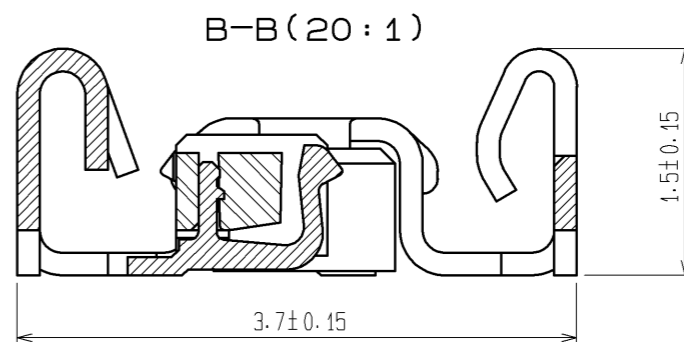
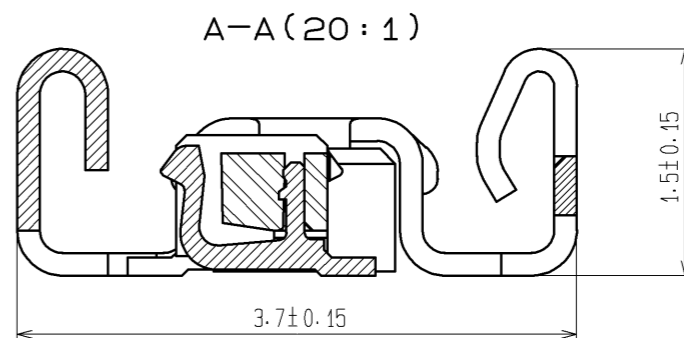
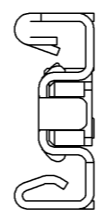
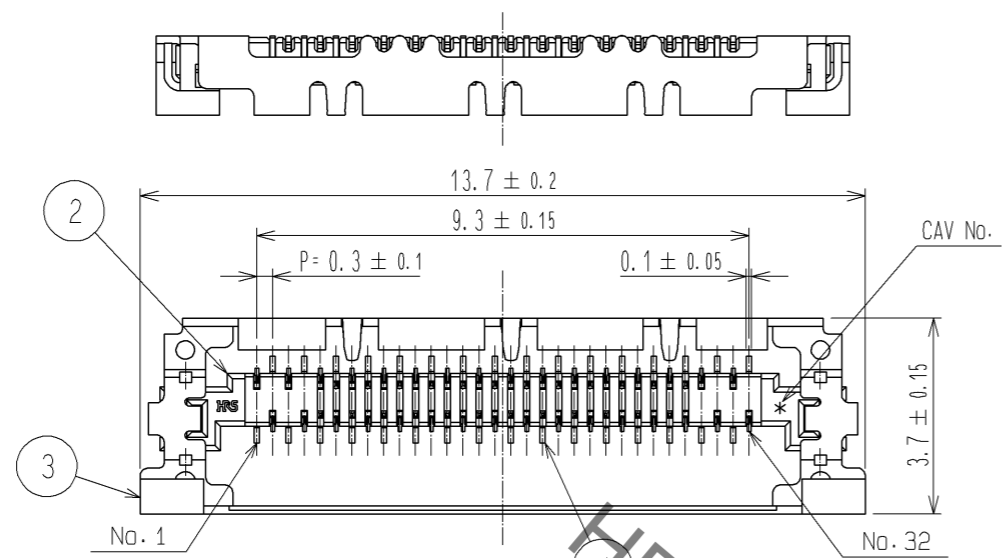


Sep.1.2021 Copyright 2021 HIROSE ELECTRIC CO., LTD. All Rights Reserved.  
In case of consideration for using Automotive equipment / device which demand high reliability, kindly contact our sales window correspondents.

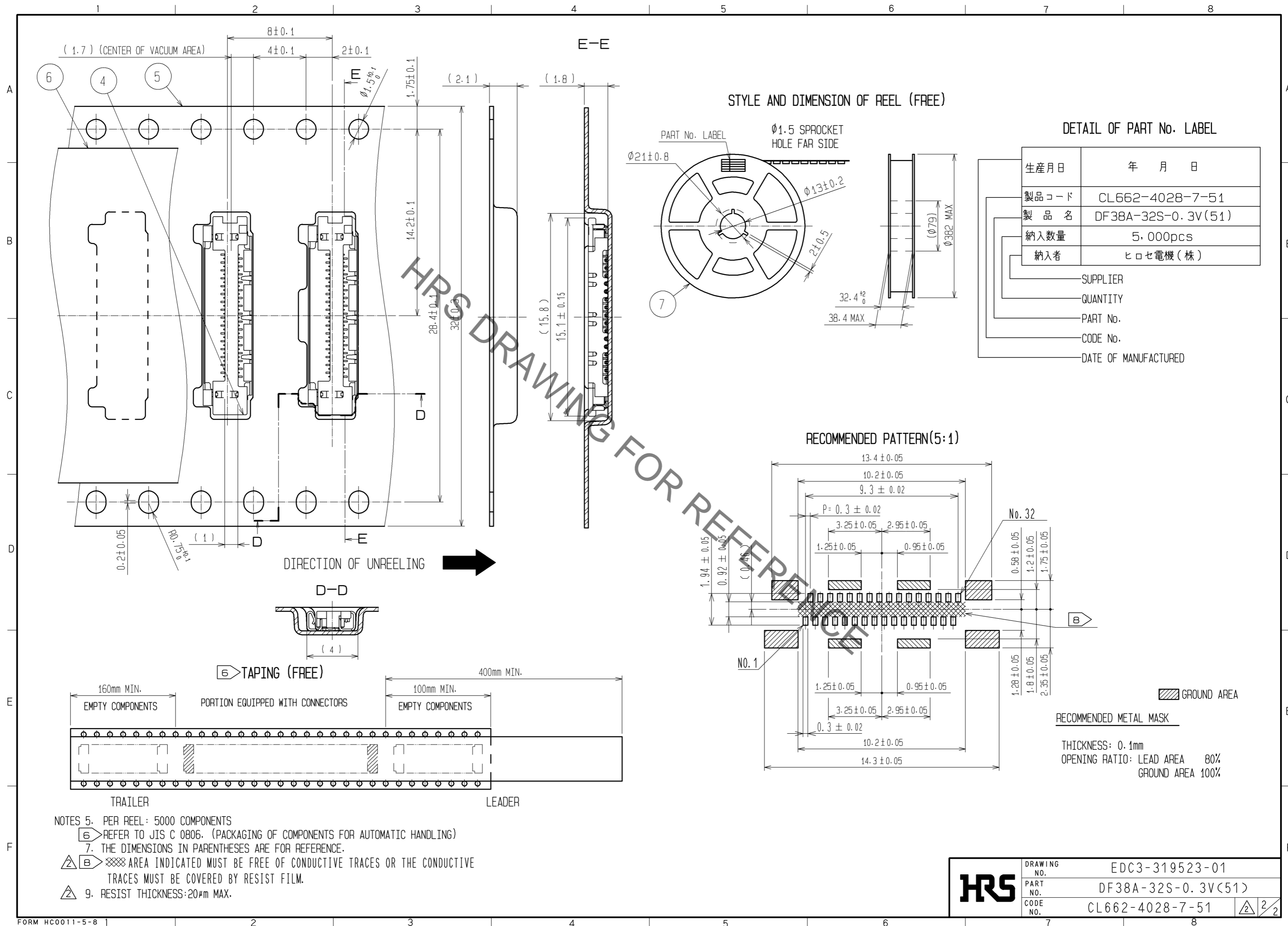


**NOTES**

- LEAD CO-PLANARITY SHALL BE 0.1mm MAX.
- STIFFENER IS REQUIRED FOR MOUNTING ONTO FPC IN ORDER TO AVOID STRESS BY FPC SLACKING TO MOUNTED CONNECTOR.
- UNMATING SHALL BE DONE WITH THE SPECIFIC EXTRACTION TOOL.
- SOLDERING REWORK IS NOT POSSIBLE SINCE SOLDERING LEADS ARE COVERED BY METAL SHIELDING.

2	LCP	UL94V-0	7	PS	BLACK
1	PHOSPHOR BRONZE	CONTACT AREA : Au PLATING 0.1µm min LEAD AREA : Au PLATING 0.1µm min UNDER PLATING : Ni PLATING 1µm min	6	POLYESTER	CLEAR
			5	PS	CLEAR
			4	POLYAMIDE	BLACK (CAP)
			3	PHOSPHOR BRONZE	WHOLE AREA : Sn PLATING 1µm min UNDER PLATING : Cu PLATING 0.2µm min
NO.	MATERIAL	FINISH . REMARKS	NO.	MATERIAL	FINISH . REMARKS
UNITS mm		SCALE FREE	COUNT 3	DESCRIPTION OF REVISIONS DIS-H-004511	
APPROVED : TS. SAKATA 08.06.18			DESIGNED	KT. ISHII	
CHECKED : HK. UMEHARA 08.06.18			CHECKED	TS. FUKUSHIMA	
DESIGNED : HY. SHIOZAWA 08.06.18			DATE	10.03.10	
DRAWN : SI. ISHII 08.06.18			DRAWING NO. EDC3-319523-01		
PART NO. DF38A-32S-0.3V(51)			CODE NO. CL662-4028-7-51		
			1/2		

Sep.1.2021 Copyright 2021 HIROSE ELECTRIC CO., LTD. All Rights Reserved.  
 In case of consideration for using Automotive equipment / device which demand high reliability, kindly contact our sales window correspondents.



# Mouser Electronics

Authorized Distributor

Click to View Pricing, Inventory, Delivery & Lifecycle Information:

[Hirose Electric:](#)

[DF38A-32S-0.3V\(51\)](#)