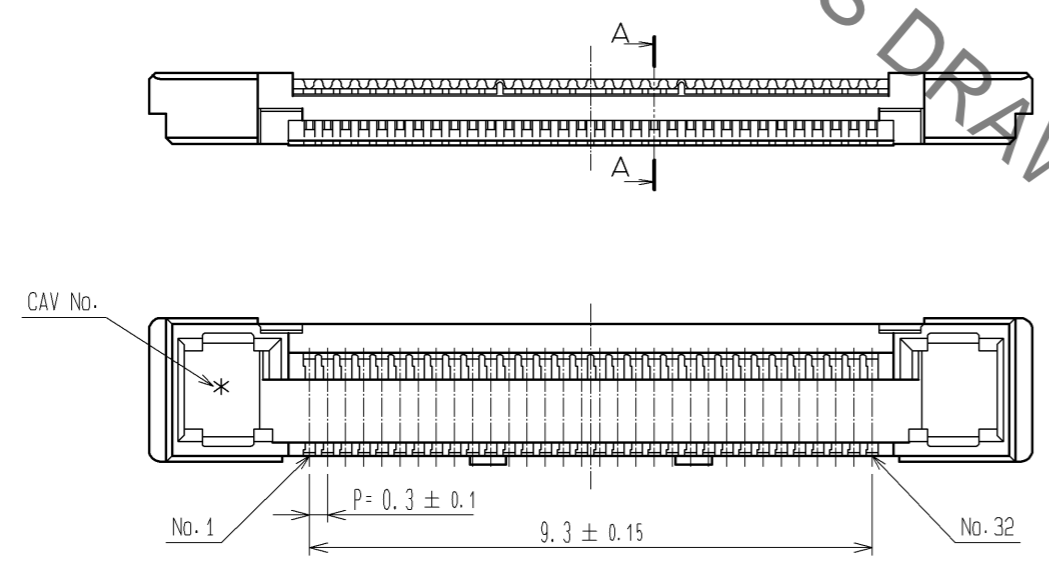
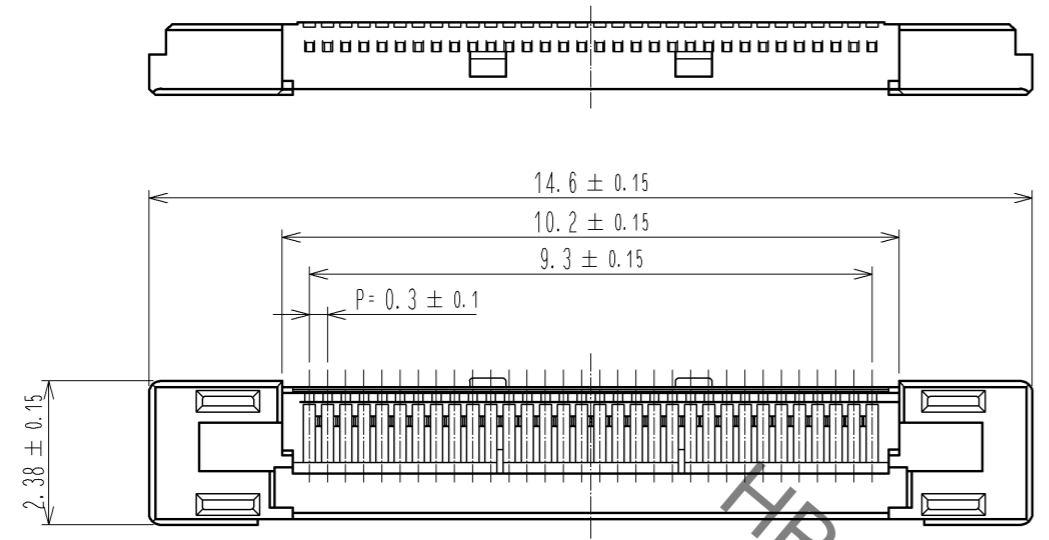
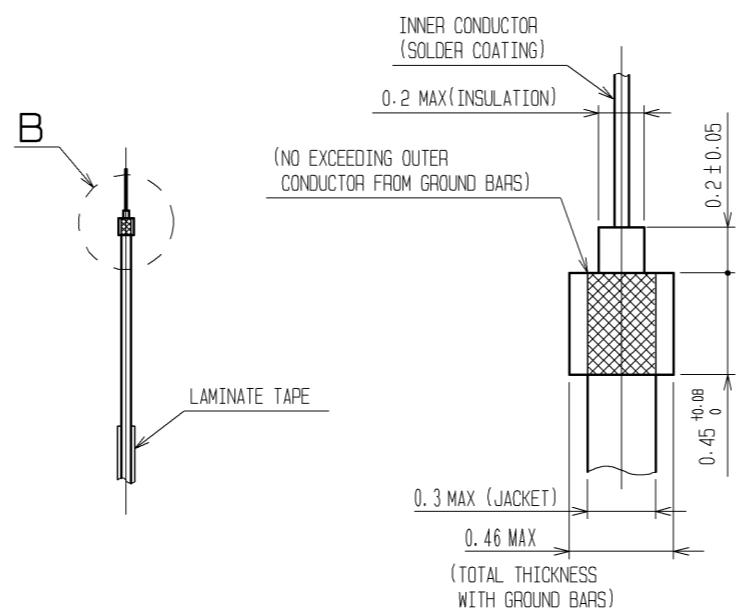
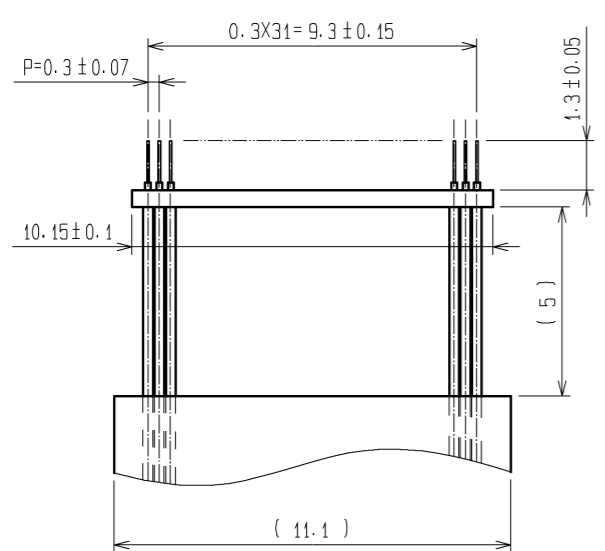


Sep.1.2021 Copyright 2021 HIROSE ELECTRIC CO., LTD. All Rights Reserved.  
In case of consideration for using Automotive equipment / device which demand high reliability, kindly contact our sales window correspondents.

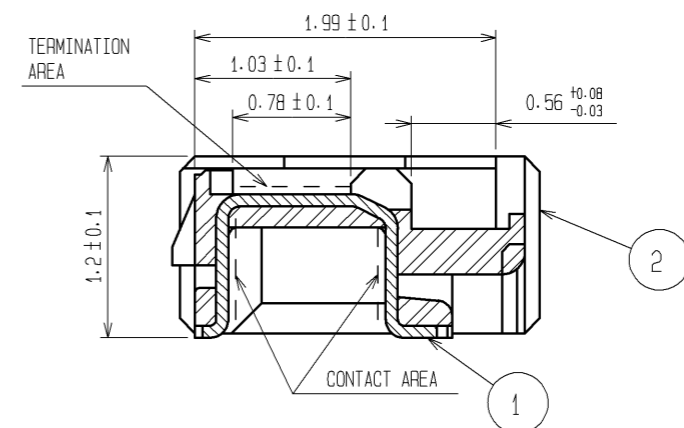


RECOMMENDED CABLE SUBASSEMBLY

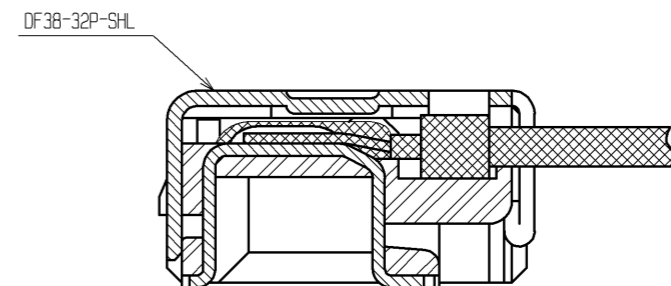
B(FREE)



A-A (20:1)



CABLE TERMINATION FIGURE(20:1)



- NOTES 1. APPLICABLE CABLE: THIN COAXIAL CABLE (AWG#42~AWG#46)  
2. THIS CONNECTOR IS NOT HOT PLUGGABLE. MATE AND UNMATE WHILE THE POWER IS OFF.  
3. THE ASSEMBLY IS COMPLETED BY COMBINING TWO PARTS (CONNECTOR UNIT, AND METAL SHIELDING). REFER TO THE TABLE FOR EACH ITEM No., PART NAME, PART No. AND CODE No.

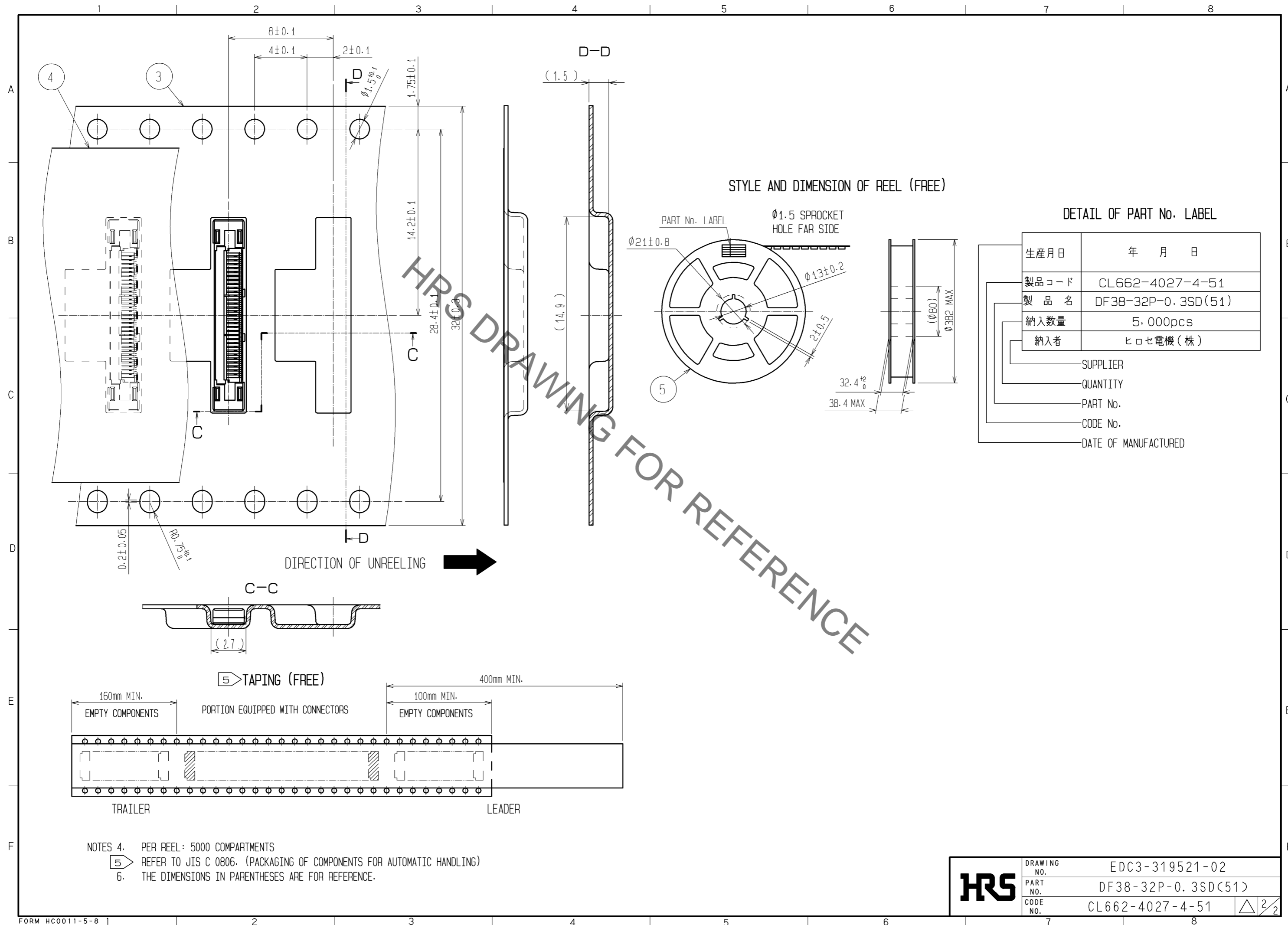
ITEM No.	PART NAME	PART No.	CODE No.
1,2	CONNECTOR UNIT	DF38-32P-0.3SD(51)	CL662-4027-4-51
-	METAL SHIELDING	DF38-32P-SHL	CL662-4029-0

NO.	MATERIAL	FINISH	REMARKS	NO.	MATERIAL	FINISH	REMARKS
1	PHOSPHOR BRONZE	CONTACT AREA : Au PLATING 0.1µm min TERMINATION AREA : Au PLATING 0.1µm min UNDER PLATING : Ni PLATING 1µm min		5	PS		BLACK
				4	POLYESTER		CREAR
				3	PS		CLEAR
				2	LCP		UL94V-0 . BLACK

UNITS	SCALE	COUNT	DESCRIPTION OF REVISIONS	DESIGNED	CHECKED	DATE
mm	FREE	△				
APPROVED : TS. SAKATA			11.09.06	DRAWING NO. EDC3-319521-02		
CHECKED : HS. OZAWA			11.09.06	PART NO. DF38-32P-0.3SD(51)		
DESIGNED : TP. MATSUMOTO			11.09.06	CODE NO. CL662-4027-4-51		
DRAWN : TP. MATSUMOTO			11.09.06	△ 1/2		

Sep.1.2021 Copyright 2021 HIROSE ELECTRIC CO., LTD. All Rights Reserved.  
 In case of consideration for using Automotive equipment / device which demand high reliability, kindly contact our sales window correspondents.



<b>HRS</b>	DRAWING NO.	EDC3-319521-02
	PART NO.	DF38-32P-0.3SD(51)
	CODE NO.	CL662-4027-4-51
		△ 2/2

# Mouser Electronics

Authorized Distributor

Click to View Pricing, Inventory, Delivery & Lifecycle Information:

[Hirose Electric:](#)

[DF38-32P-0.3SD\(51\)](#)