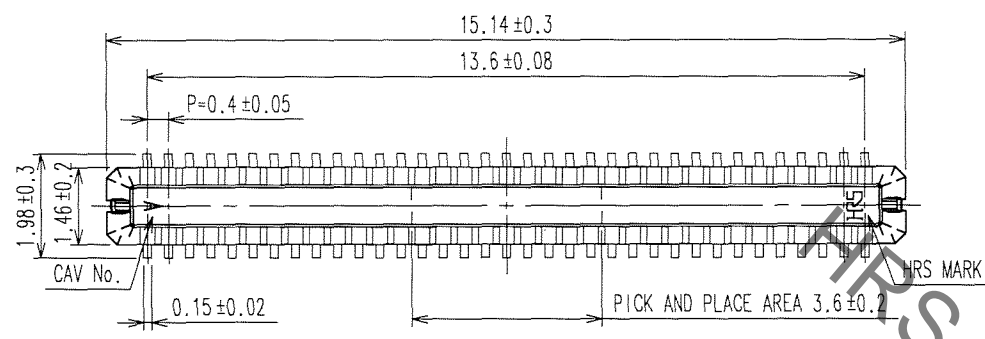
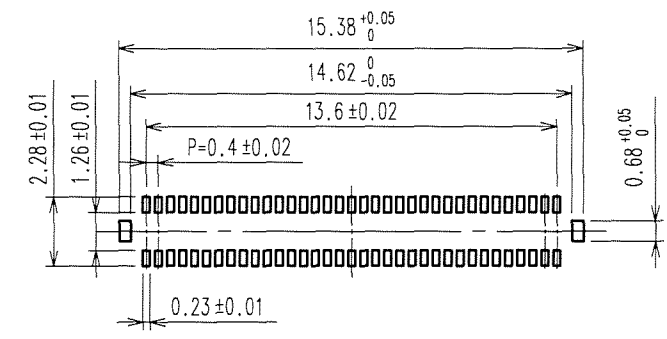


Sep.1.2021 Copyright 2021 HIROSE ELECTRIC CO., LTD. All Rights Reserved.
In case of consideration for using Automotive equipment / device which demand high reliability, kindly contact our sales window correspondents.

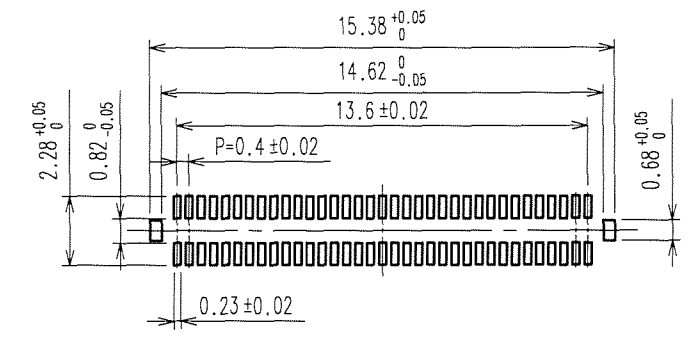
1		2		3		4		5		6		7		8	
COUNT	DESCRIPTION OF REVISIONS	BY	CHKD	DATE	COUNT	DESCRIPTION OF REVISIONS	BY	CHKD	DATE	COUNT	DESCRIPTION OF REVISIONS	BY	CHKD	DATE	
△					△					△					
△					△					△					
△					△					△					



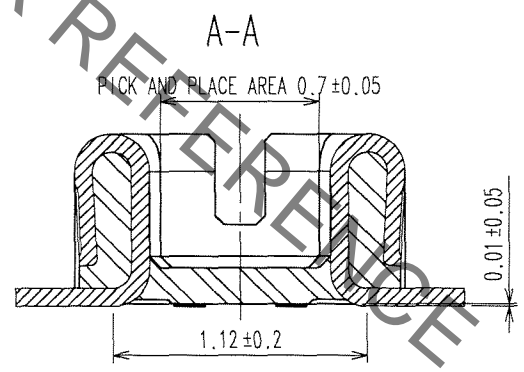
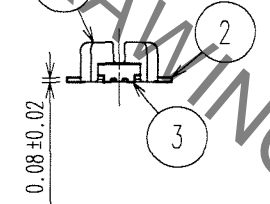
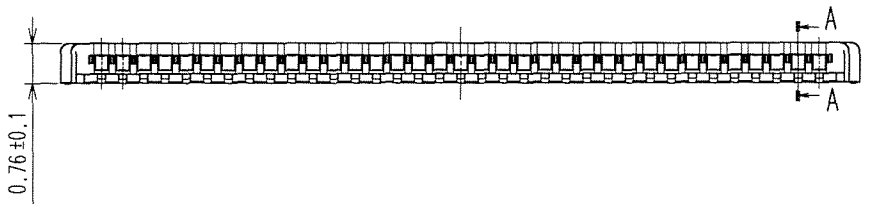
RECOMMENDED METAL MASK
OPENING PATTERN



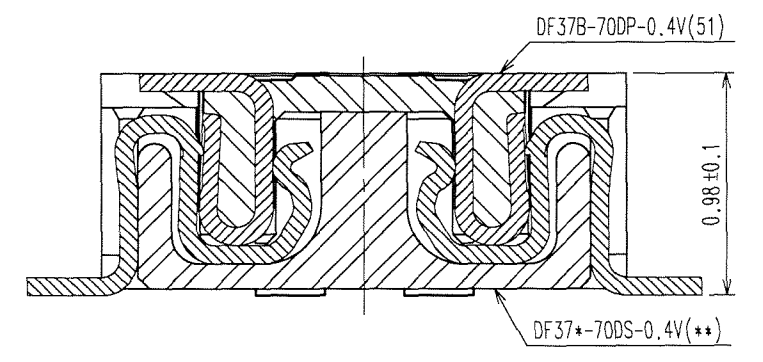
RECOMMENDED PATTERN



RECOMMENDED SOLDER PASTE: THICKNESS 120μ m



ENGAGEMENT FIGURE



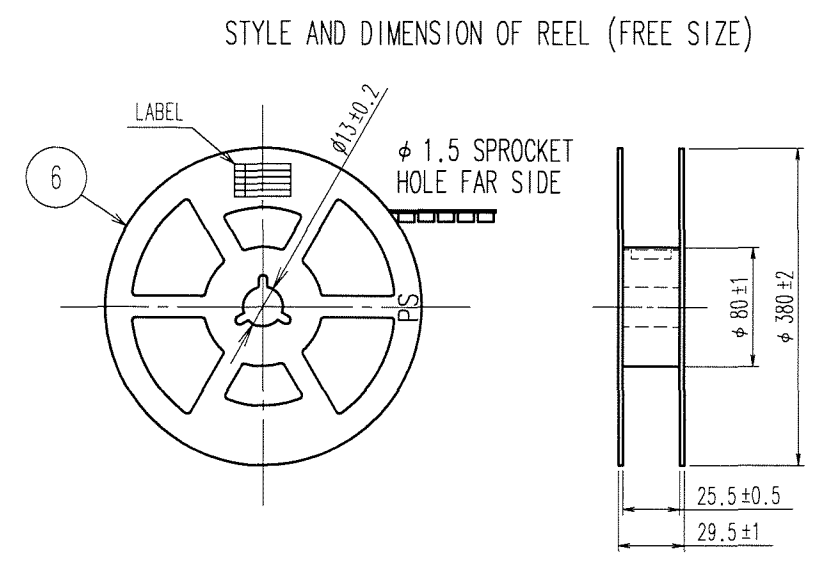
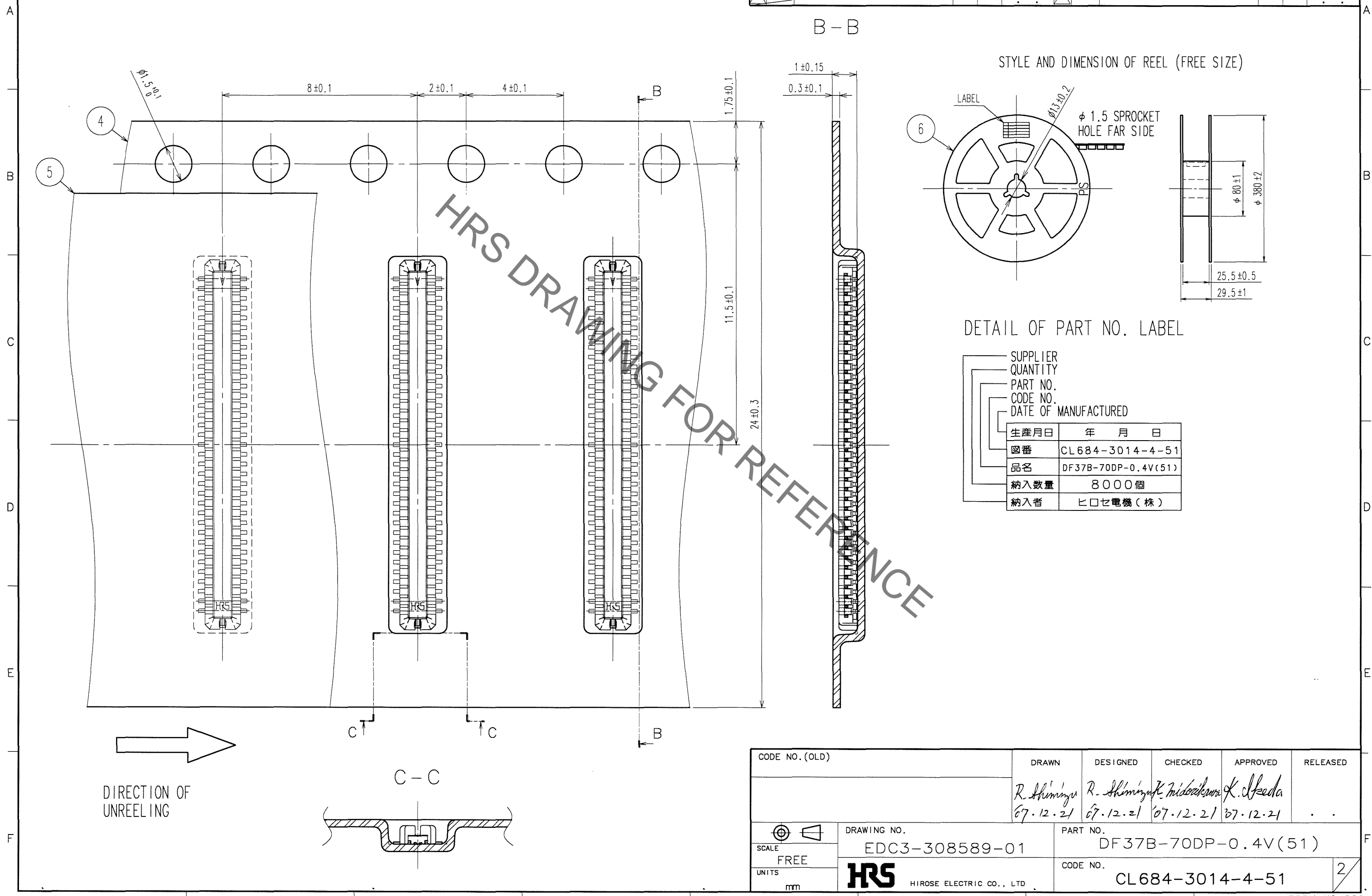
- NOTE 1. ALL LEADS CO-PLANARITY SHALL BE 0.1 MAX.
 2. PER REEL : 8000 CONNECTORS.
 3. AT THE BEGINNING OF THE REEL, 100 mm AT MIN SHALL BE EMPTY POCKETS.
 AT THE END OF THE REEL, 160 mm AT MIN SHALL BE EMPTY.
 4 CONTACT PLATING SPECIFICATIONS.
 CONTACT AREA : GOLD 0.05μ m MIN.
 SMT LEAD : GOLD 0.05μ m MIN.
 UNDERPLATING : NICKEL 1μ m MIN.
 (SURFACE : SEALING)
 5 METAL HOLD DOWN PLATING SPECIFICATIONS.
 MOUNTING AREA: GOLD 0.05μ m MIN.
 UNDERPLATING : NICKEL 1μ m MIN.
 6. PEEL FORCE OF COVER TAPE REFERS TO JIS C 0806.

3	PHOSPHOR BRONZE	5	6	PS	PLASTIC REEL(BLACK)
2	PHOSPHOR BRONZE	4	5	POLYESTER	CLEAR(COVER TAPE)
1	LCP	UL94V-0, BLACK	4	PS	CLEAR(EMBOSSED CARRIER TAPE)
NO.	MATERIAL	FINISH, REMARKS	NO.	MATERIAL	FINISH, REMARKS
CODE NO. (OLD)			DRAWN	DESIGNED	CHECKED
			APPROVED	RELEASED	
			<i>R. Shimizu</i> <i>R. Shimizu</i> <i>K. Mitsuhashi</i> <i>K. Akeda</i> '07.12.21 '07.12.21 '07.12.21 '07.12.21		
DRAWING NO.			PART NO.		
EDC3-308589-01			DF37B-70DP-0.4V(51)		
SCALE			CODE NO.		
FREE			CL684-3014-4-51		
UNITS			1/2		
mm			HRS HIROSE ELECTRIC CO., LTD		

TO

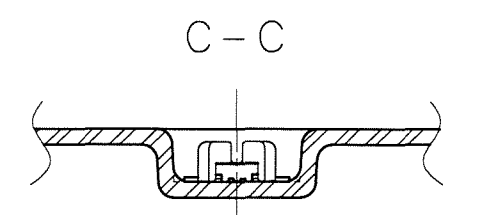
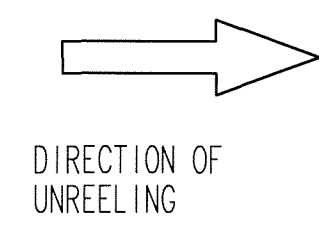
In case of consideration for using Automotive equipment / device which demand high reliability, kindly contact our sales window correspondents.
 Sep.1.2021 Copyright 2021 HIROSE ELECTRIC CO., LTD. All Rights Reserved.

COUNT	DESCRIPTION OF REVISIONS	BY	CHKD	DATE	COUNT	DESCRIPTION OF REVISIONS	BY	CHKD	DATE



DETAIL OF PART NO. LABEL

SUPPLIER	
QUANTITY	
PART NO.	
CODE NO.	
DATE OF MANUFACTURED	
生産月日	年 月 日
図番	CL684-3014-4-51
品名	DF37B-70DP-0.4V(51)
納入数量	8000個
納入者	ヒロセ電機(株)



CODE NO. (OLD)	DRAWN	DESIGNED	CHECKED	APPROVED	RELEASED
	R. Shimizu 07.12.21	R. Shimizu 07.12.21	K. Nishida 07.12.21	K. Nishida 07.12.21	
DRAWING NO.	PART NO.				
EDC3-308589-01	DF37B-70DP-0.4V(51)				
SCALE	CODE NO.				
FREE	CL684-3014-4-51				
UNITS					
mm	HRS HIROSE ELECTRIC CO., LTD.				

Mouser Electronics

Authorized Distributor

Click to View Pricing, Inventory, Delivery & Lifecycle Information:

[Hirose Electric:](#)

[DF37B-70DP-0.4V\(51\)](#)