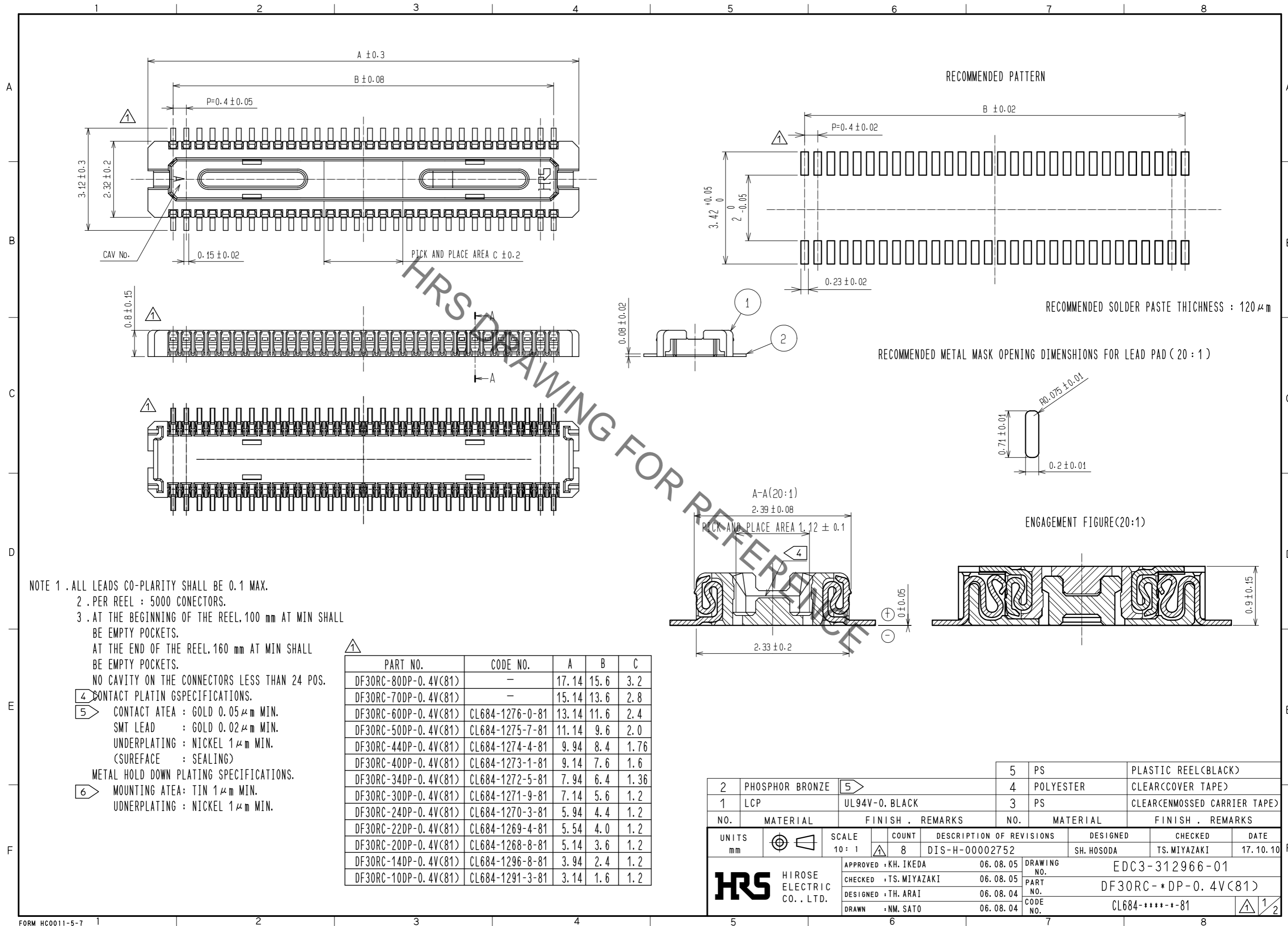


Jun.1.2021 Copyright 2021 HIROSE ELECTRIC CO., LTD. All Rights Reserved.  
In case of consideration for using Automotive equipment / device which demand high reliability, kindly contact our sales window correspondents.



NO.	MATERIAL	FINISH	REMARKS	NO.	MATERIAL	FINISH	REMARKS
2	PHOSPHOR BRONZE	5		5	PS		PLASTIC REEL(BLACK)
1	LCP		UL94V-0, BLACK	4	POLYESTER		CLEAR(COVER TAPE)
				3	PS		CLEAR(CENMOSSED CARRIER TAPE)

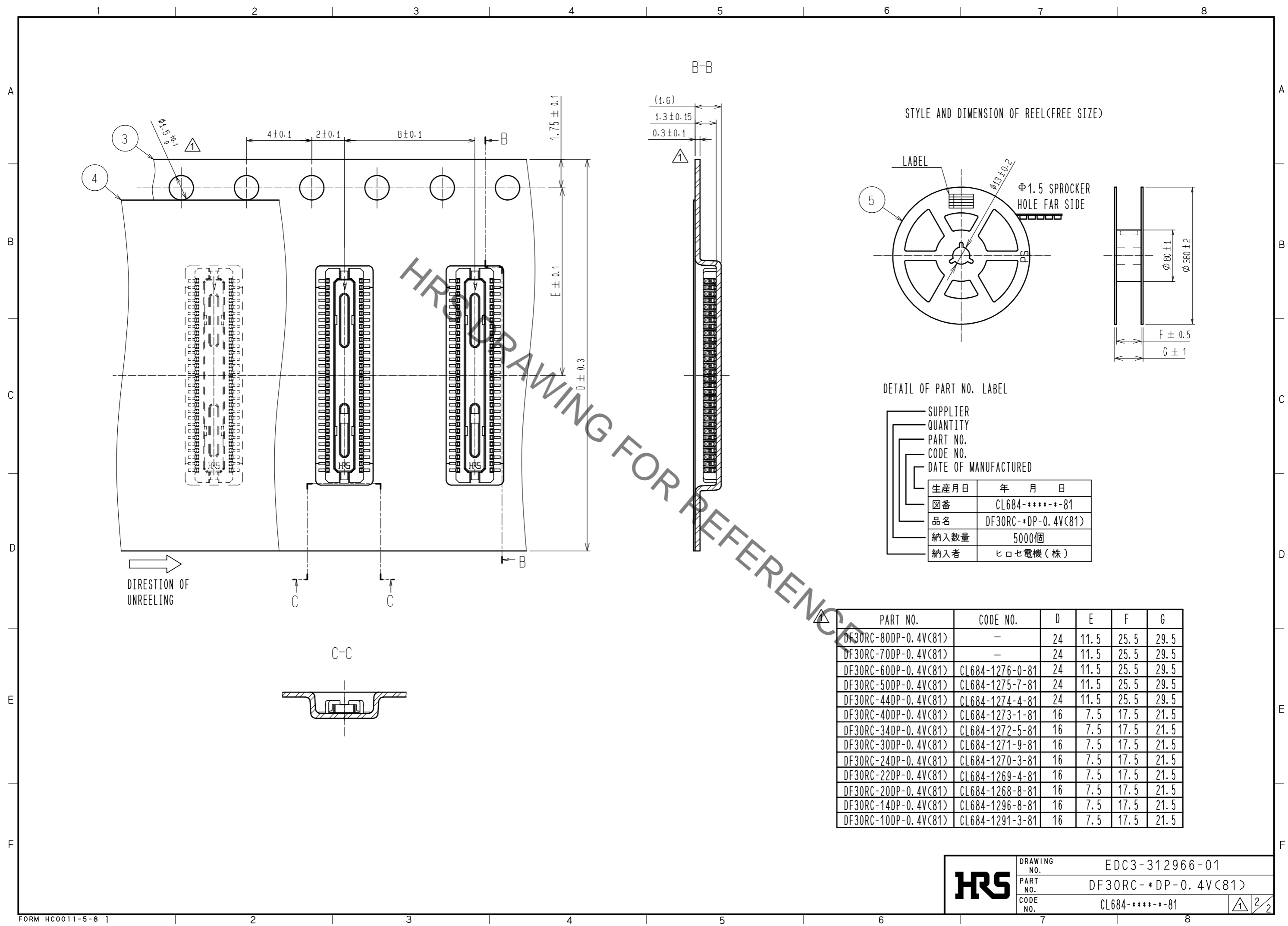
  

UNITS	SCALE	COUNT	DESCRIPTION OF REVISIONS	DESIGNED	CHECKED	DATE
mm	10:1	8	DIS-H-00002752	SH. HOSODA	TS. MIYAZAKI	17.10.10

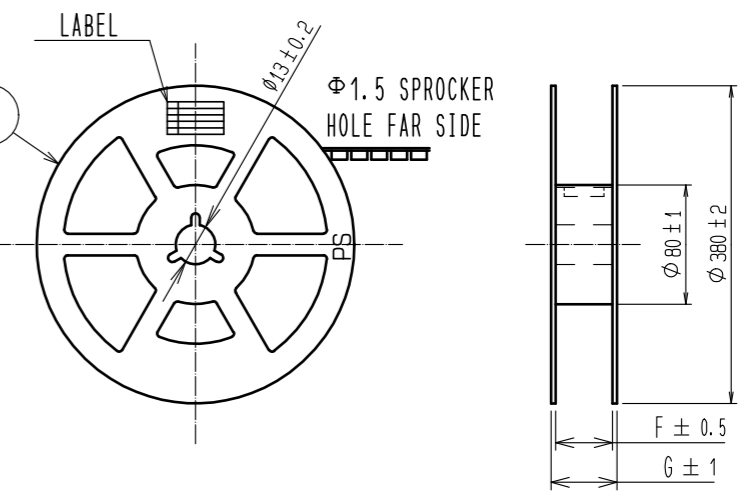
  

APPROVED	CHECKED	DESIGNED	DRAWN	DRAWING NO.	PART NO.	CODE NO.
KH. IKEDA	TS. MIYAZAKI	TH. ARAI	NM. SATO	EDC3-312966-01	DF30RC-*DP-0.4V(81)	CL684-****-81

Jun.1.2021 Copyright 2021 HIROSE ELECTRIC CO., LTD. All Rights Reserved.  
 In case of consideration for using Automotive equipment / device which demand high reliability, kindly contact our sales window correspondents.



STYLE AND DIMENSION OF REEL(FREE SIZE)



DETAIL OF PART NO. LABEL

SUPPLIER  
 QUANTITY  
 PART NO.  
 CODE NO.  
 DATE OF MANUFACTURED

生産月日	年 月 日
図番	CL684-****-*-81
品名	DF30RC- <i>DP</i> -0.4V(81)
納入数量	5000個
納入者	ヒロセ電機(株)

PART NO.	CODE NO.	D	E	F	G
DF30RC-80DP-0.4V(81)	-	24	11.5	25.5	29.5
DF30RC-70DP-0.4V(81)	-	24	11.5	25.5	29.5
DF30RC-60DP-0.4V(81)	CL684-1276-0-81	24	11.5	25.5	29.5
DF30RC-50DP-0.4V(81)	CL684-1275-7-81	24	11.5	25.5	29.5
DF30RC-44DP-0.4V(81)	CL684-1274-4-81	24	11.5	25.5	29.5
DF30RC-40DP-0.4V(81)	CL684-1273-1-81	16	7.5	17.5	21.5
DF30RC-34DP-0.4V(81)	CL684-1272-5-81	16	7.5	17.5	21.5
DF30RC-30DP-0.4V(81)	CL684-1271-9-81	16	7.5	17.5	21.5
DF30RC-24DP-0.4V(81)	CL684-1270-3-81	16	7.5	17.5	21.5
DF30RC-22DP-0.4V(81)	CL684-1269-4-81	16	7.5	17.5	21.5
DF30RC-20DP-0.4V(81)	CL684-1268-8-81	16	7.5	17.5	21.5
DF30RC-14DP-0.4V(81)	CL684-1296-8-81	16	7.5	17.5	21.5
DF30RC-10DP-0.4V(81)	CL684-1291-3-81	16	7.5	17.5	21.5

**HRS**

DRAWING NO. EDC3-312966-01  
 PART NO. DF30RC-*DP*-0.4V(81)  
 CODE NO. CL684-\*\*\*\*-\*-81

2/2

# Mouser Electronics

Authorized Distributor

Click to View Pricing, Inventory, Delivery & Lifecycle Information:

[Hirose Electric:](#)

[DF30RC-24DP-0.4V\(81\)](#)